

Dell™ OptiPlex™ 745

Quick Reference Guide

Models DCTR, DCNE, DCSM, and DCCY

Notes, Notices, and Cautions



NOTE: A NOTE indicates important information that helps you make better use of your computer.



NOTICE: A NOTICE indicates potential damage to hardware or loss of data and tells you how to avoid the problem.



CAUTION: A CAUTION indicates a potential for property damage, personal injury, or death.

If you purchased a Dell™ n Series computer, any references in this document to Microsoft® Windows® operating systems are not applicable.

Information in this document is subject to change without notice.

© 2006 Dell Inc. All rights reserved.

Reproduction in any manner whatsoever without the written permission of Dell Inc. is strictly forbidden.

Trademarks used in this text: *Dell*, the *DELL* logo, *Inspiron*, *Dell Precision*, *Dimension*, *OptiPlex*, *Latitude*, *PowerEdge*, *PowerVault*, *PowerApp*, and *Dell OpenManage* are trademarks of Dell Inc.; *Intel*, *Pentium*, and *Celeron* are registered trademarks of Intel Corporation; *Microsoft* and *Windows* are registered trademarks of Microsoft Corporation.

Other trademarks and trade names may be used in this document to refer to either the entities claiming the marks and names or their products. Dell Inc. disclaims any proprietary interest in trademarks and trade names other than its own.

Models DCTR, DCNE, DCSM, and DCCY

August 2006

P/N KH287


Rev. A00

Contents

Finding Information	5
System Views	8
Mini Tower Computer — Front View	8
Mini Tower Computer — Back View	10
Mini Tower Computer — Back-Panel Connectors	11
Desktop Computer — Front View.	13
Desktop Computer — Back View.	14
Desktop Computer — Back-Panel Connectors	15
Small Form Factor Computer — Front View	17
Small Form Factor Computer — Back View	18
Small Form Factor Computer — Back-Panel Connectors	19
Ultra-Small Form Factor Computer — Front View	21
Ultra-Small Form Factor Computer — Side View.	22
Ultra-Small Form Factor Computer — Back View	23
Ultra-Small Form Factor Computer — Back-Panel Connectors	23
Removing the Computer Cover.	24
Before You Begin	25
Mini Tower Computer.	26
Desktop Computer	27
Small Form Factor Computer	28
Ultra-Small Form Factor Computer	30
Inside Your Computer	32
Mini Tower Computer.	32
Desktop Computer	35
Small Form Factor Computer	38
Ultra-Small Form Factor Computer	41
Setting Up Your Computer	43
Set Up Your Keyboard and Mouse	45
Set Up Your Monitor	45
Power Connections.	46
Solving Problems	46
Dell Diagnostics.	46
System Lights	49

Diagnostic Lights	50
Beep Codes	52
Resolving Software and Hardware Incompatibilities	53
Using Microsoft Windows XP System Restore	54
Reinstalling Microsoft Windows XP	55
Using the Drivers and Utilities CD	58
Drivers for Your Computer	58
Index	59

Finding Information

 **NOTE:** Some features or media may be optional and may not ship with your computer. Some features or media may not be available in certain countries.

 **NOTE:** Additional information may ship with your computer.

What Are You Looking For?	Find It Here
<ul style="list-style-type: none"> • A diagnostic program for my computer • Drivers for my computer • My computer documentation • My device documentation • Desktop System Software (DSS) 	<p>Drivers and Utilities CD (ResourceCD)</p> <p>NOTE: The <i>Drivers and Utilities</i> CD may be optional and may not ship with your computer.</p> <p>Documentation and drivers are already installed on your computer. You can use the CD to reinstall drivers (see "Using the Drivers and Utilities CD" on page 58), run the Dell Diagnostics (see "Dell Diagnostics" on page 46), or access your documentation.</p> <div data-bbox="739 838 1005 1104" data-label="Image"> </div> <p>Readme files may be included on your CD to provide last-minute updates about technical changes to your computer or advanced technical reference material for technicians or experienced users.</p> <p>NOTE: Drivers and documentation updates can be found at support.dell.com.</p>
<ul style="list-style-type: none"> • How to remove and replace parts • Specifications • How to configure system settings • How to troubleshoot and solve problems 	<p>Dell™ OptiPlex™ User's Guide</p> <p><i>Microsoft Windows XP Help and Support Center</i></p> <ol style="list-style-type: none"> 1 Click Start → Help and Support → Dell User and System Guides → System Guides. 2 Click the <i>User's Guide</i> for your computer. <p>The <i>User's Guide</i> is also available on the optional <i>Drivers and Utilities</i> CD.</p>

What Are You Looking For?

- Warranty information
- Terms and Conditions (U.S. only)
- Safety instructions
- Regulatory information
- Ergonomics information
- End User License Agreement

Find It Here

Dell™ Product Information Guide



-
- How to reinstall my operating system

Operating System CD

NOTE: The *Operating System* CD may be optional and may not ship with your computer.

The operating system is already installed on your computer. To reinstall your operating system, use the *Operating System* CD (see "Reinstalling Microsoft Windows XP" on page 55).



After you reinstall your operating system, use the optional *Drivers and Utilities* CD (*ResourceCD*) to reinstall drivers for the devices that came with your computer. For more information, see

"Drivers and Utilities CD (*ResourceCD*)" on page 5.

Your operating system product key label is located on your computer (see "Service Tag and Microsoft® Windows® Product Key" on page 7).

NOTE: The color of your *Operating System* CD varies according to the operating system you ordered.

-
- How to use Windows XP
 - How to work with programs and files
 - How to personalize my desktop

Windows Help and Support Center

- 1 Click **Start** → **Help and Support**.
- 2 Type a word or phrase that describes your problem and click the arrow icon.
- 3 Click the topic that describes your problem.
- 4 Follow the instructions on the screen.

What Are You Looking For?

- Service Tag and Express Service Code
- Microsoft Windows Product Key Label
- Solutions — Troubleshooting hints and tips, articles from technicians, online courses, and frequently asked questions
- Community — Online discussion with other Dell customers
- Upgrades — Upgrade information for components, such as the memory, hard drive, and operating system
- Customer Care — Contact information, service call and order status, and warranty and repair information
- Service and support — Service call status, support history, service contract, and online discussions with support
- Reference — Computer documentation, details on my computer configuration, product specifications, and white papers
- Downloads — Certified drivers, patches, and software updates
- Desktop System Software (DSS)— If you reinstall the operating system on your computer, you should also reinstall the DSS utility. DSS automatically detects your computer and operating system and installs the updates appropriate for your configuration, providing critical updates for your operating system and support for Dell™ 3.5-inch USB floppy drives, Intel® processors, optical drives, and USB devices. DSS is necessary for correct operation of your Dell computer.

Find It Here

Service Tag and Microsoft® Windows® Product Key

These labels are located on your computer.

- Use the Service Tag to identify your computer when you use support.dell.com or contact support.



- Enter the Express Service Code to direct your call when contacting support.

Dell Support Website — support.dell.com

NOTE: Select your region or business segment to view the appropriate support site.

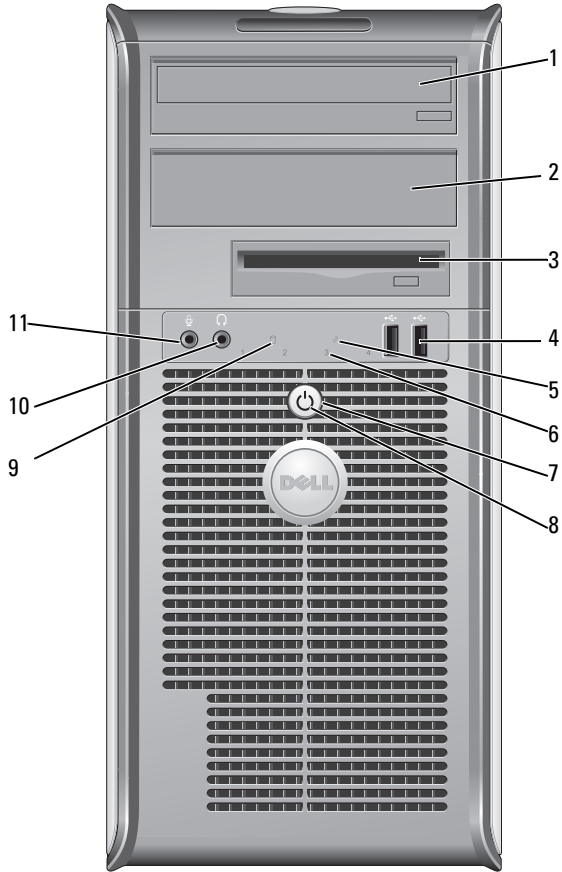
To download Desktop System Software:

- 1** Go to support.dell.com, select your region or business segment, then enter your Service Tag.
- 2** Select **Drivers & Downloads**, then click **Go**.
- 3** Click your operating system, and then search for the keyword *Desktop System Software*.

NOTE: The support.dell.com user interface may vary depending on your selections.


System Views


Mini Tower Computer — Front View



- | | | |
|----|---------------------------|------------------------------------------------------------------------------------------------------------------------------------------------------------------------------------------------------------------------------------------------------------------------------------------------------------------------------------------------------------------------------------------------------------------------------------------------------------------------------------------------------------------------------------------------------------------------------------------------------------------------------------------------------------------------------------------------------------------------------------------------------------------------------------------------------------------------------------------|
| 1 | 5.25-inch drive bay | Can contain an optical drive. Insert a CD or DVD (if supported) into this drive. |
| 2 | 5.25-inch drive bay | Can contain an optical drive. Insert a CD or DVD (if supported) into this drive. |
| 3 | 3.5-inch drive bay | Can contain an optional floppy drive or optional media card reader. |
| 4 | USB 2.0 connectors (2) | Use the front USB connectors for devices that you connect occasionally, such as joysticks or cameras, or for bootable USB devices (see your online <i>User's Guide</i> for more information on booting to a USB device).

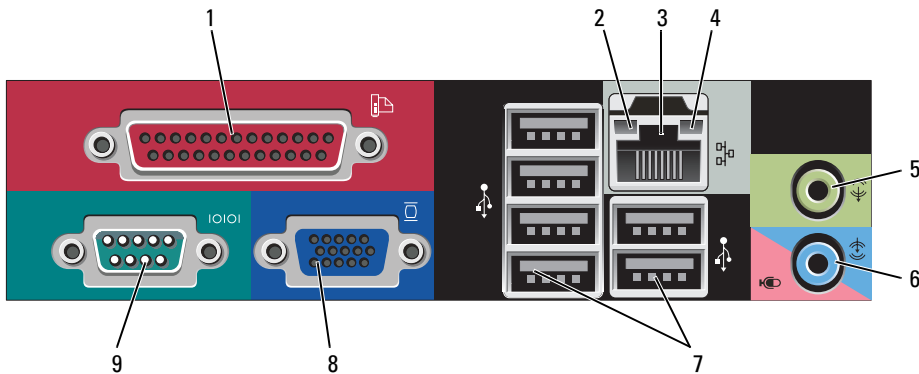
It is recommended that you use the back USB connectors for devices that typically remain connected, such as printers and keyboards. |
| 5 | LAN indicator light | This light indicates that a LAN (local area network) connection is established. |
| 6 | diagnostic lights | Use the lights to help you troubleshoot a computer problem based on the diagnostic code. For more information, see "Diagnostic Lights" on page 50. |
| 7 | power button | Press this button to turn on the computer.

 NOTICE: To avoid losing data, do not turn off the computer by pressing the power button. Instead, perform an operating system shutdown. See "Before You Begin" on page 25 for more information.

 NOTICE: If your operating system has ACPI enabled, when you press the power button the computer will perform an operating system shutdown. |
| 8 | power light | The power light illuminates and blinks or remains solid to indicate different operating modes: <ul style="list-style-type: none"> • No light — The computer is turned off. • Steady green — The computer is in a normal operating state. • Blinking green — The computer is in a power-saving mode. • Blinking or solid amber — See your online <i>User's Guide</i>. <p>To exit from a power-saving mode, press the power button or use the keyboard or the mouse if it is configured as a wake device in the Windows Device Manager. For more information about sleep modes and exiting from a power-saving mode, see your online <i>User's Guide</i>.</p> <p>See "System Lights" on page 49 for a description of light codes that can help you troubleshoot problems with your computer.</p> |
| 9 | hard-drive activity light | This light flickers when the hard drive is being accessed. |
| 10 | headphone connector | Use the headphone connector to attach headphones and most kinds of speakers. |
| 11 | microphone connector | Use the microphone connector to attach a microphone. |

- 3 voltage selection switch Your computer is equipped with a manual voltage-selection switch. To help avoid damaging a computer with a manual voltage-selection switch, set the switch for the voltage that most closely matches the AC power available in your location.
- ➡ NOTICE:** The voltage selection switch must be set to the 115-V position even though the AC power available in Japan is 100 V.
- Also, ensure that your monitor and attached devices are electrically rated to operate with the AC power available in your location.
- 4 power connector Insert the power cable.
- 5 back-panel connectors Plug serial, USB, and other devices into the appropriate connectors (see "Mini Tower Computer — Back-Panel Connectors" on page 11).
- 6 card slots Access connectors for any installed PCI and PCI Express cards.

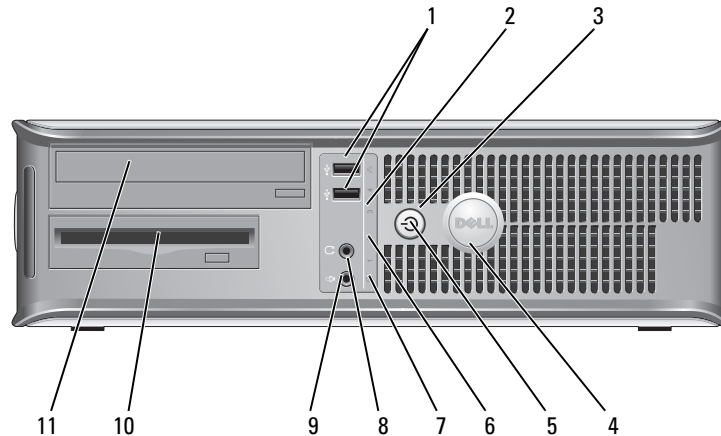
Mini Tower Computer — Back-Panel Connectors



- 1 parallel connector Connect a parallel device, such as a printer, to the parallel connector. If you have a USB printer, plug it into a USB connector.
- NOTE:** The integrated parallel connector is automatically disabled if the computer detects an installed card containing a parallel connector configured to the same address. For more information, see your online User's Guide.
- 2 link integrity light
- Green — A good connection exists between a 10-Mbps network and the computer.
 - Orange — A good connection exists between a 100-Mbps network and the computer.
 - Yellow — A good connection exists between a 1-Gbps (or 1000-Mbps) network and the computer.
 - Off — The computer is not detecting a physical connection to the network.

- | | | |
|---|------------------------------|---------------------------------------------------------------------------------------------------------------------------------------------------------------------------------------------------------------------------------------------------------------------------------------------------------------------------------------------------------------------------------------------------------------------------------------------------------------------------------------------------------------------------------------------------------------------------------------------------------------------------------------------------------------------------------------------------------------------|
| 3 | network adapter connector | <p>To attach your computer to a network or broadband device, connect one end of a network cable to either a network jack or your network or broadband device. Connect the other end of the network cable to the network adapter connector on the back panel of your computer. A click indicates that the network cable has been securely attached.</p> <p>NOTE: Do not plug a telephone cable into the network connector.</p> <p>On computers with a network connector card, use the connector on the card.</p> <p>It is recommended that you use Category 5 wiring and connectors for your network. If you must use Category 3 wiring, force the network speed to 10 Mbps to ensure reliable operation.</p> |
| 4 | network activity light | Flashes a yellow light when the computer is transmitting or receiving network data. A high volume of network traffic may make this light appear to be in a steady "on" state. |
| 5 | line-out connector | Use the green line-out connector to attach most speakers with integrated amplifiers. |
| 6 | line-in/microphone connector | Use the blue and pink line-in/microphone connector to attach a record/playback device such as a cassette player, CD player, or VCR.; or a personal computer microphone for voice or musical input into a sound or telephony program. |
| 7 | USB 2.0 connectors (6) | Use the back USB connectors for devices that typically remain connected, such as printers and keyboards. |
| 8 | video connector | <p>Plug the cable from your VGA-compatible monitor into the blue connector.</p> <p>NOTE: If you purchased an optional graphics card, this connector will be covered by a cap. Connect your monitor to the connector on the graphics card. Do not remove the cap.</p> <p>NOTE: If you are using a graphics card that supports dual monitors, use the y-cable that came with your computer.</p> |
| 9 | serial connector | <p>Connect a serial device, such as a handheld device, to the serial port. The default designations are COM1 for serial connector 1 and COM2 for serial connector 2.</p> <p>For more information, see your online <i>User's Guide</i>.</p> |

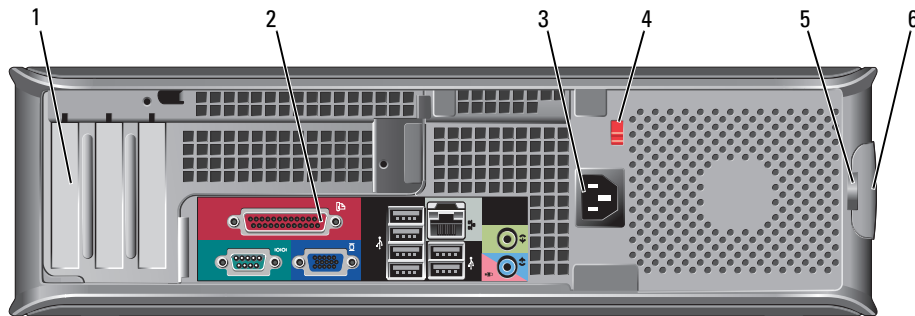
Desktop Computer — Front View



- 1 USB 2.0 connectors (2) Use the front USB connectors for devices that you connect occasionally, such as joysticks or cameras, or for bootable USB devices (see your online *User's Guide* for more information about booting to a USB device).
It is recommended that you use the back USB connectors for devices that typically remain connected, such as printers and keyboards.
- 2 LAN indicator light This light indicates that a LAN (local area network) connection is established.
- 3 power button Press this button to turn on the computer.
➡ NOTICE: To avoid losing data, do not turn off the computer by pressing the power button. Instead, perform an operating system shutdown. See "Before You Begin" on page 25 for more information.
➡ NOTICE: If your operating system has ACPI enabled, when you press the power button the computer will perform an operating system shutdown.
- 4 Dell badge This badge can be rotated to match the orientation of your computer. To rotate, place fingers around the outside of the badge, press firmly, and turn the badge. You can also rotate the badge using the slot provided near the bottom of the badge.

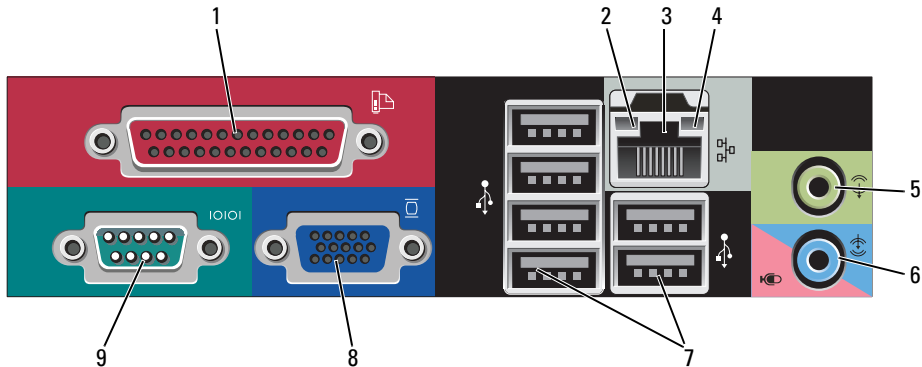
- | | | |
|----|---------------------------|--------------------------------------------------------------------------------------------------------------------------------------------------------------------------------------------------------------------------------------------------------------------------------------------------------------------------------------------------------------------------------------------------------------------------------------------------------------------------------------------------------------------------------------------------------------------------------------------------------------------------------------------------------------------------------------------------------------------------------------------------------------------------------------------------------------------------------------------------|
| 5 | power light | <p>The power light illuminates and blinks or remains solid to indicate different operating states:</p> <ul style="list-style-type: none"> • No light — The computer is turned off. • Steady green — The computer is in a normal operating state. • Blinking green — The computer is in a power-saving mode. • Blinking or solid amber — See your online <i>User's Guide</i>. <p>To exit from a power-saving mode, press the power button or use the keyboard or the mouse if it is configured as a wake device in the Windows Device Manager. For more information about sleep modes and exiting from a power-saving mode, see your online <i>User's Guide</i>.</p> <p>See "System Lights" on page 49 for a description of light codes that can help you troubleshoot problems with your computer.</p> |
| 6 | diagnostic lights | Use the lights to help you troubleshoot a computer problem based on the diagnostic code. For more information, see "Diagnostic Lights" on page 50. |
| 7 | hard-drive activity light | This light flickers when the hard drive is being accessed. |
| 8 | headphone connector | Use the headphone connector to attach headphones and most kinds of speakers. |
| 9 | microphone connector | Use the microphone connector to attach a microphone. |
| 10 | 3.5-inch drive bay | Can contain an optional floppy drive or optional Media Card Reader. |
| 11 | 5.25-inch drive bay | Can contain an optical drive. Insert a CD or DVD (if supported) into this drive. |

Desktop Computer — Back View



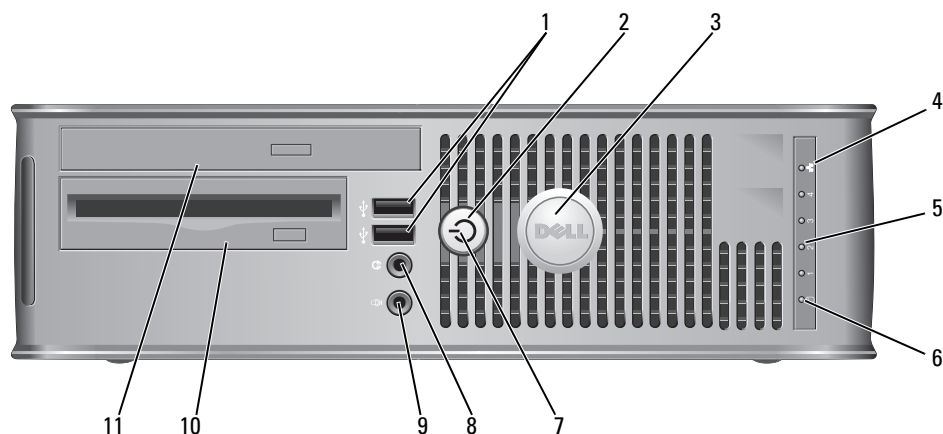
- | | | |
|---|--------------------------|--------------------------------------------------------------------------------------------------------------------------------------------------------------------------------------------------------------------------------------------------|
| 1 | card slots | Access connectors for any installed PCI and PCI Express cards. |
| 2 | back-panel connectors | Plug serial, USB, and other devices into the appropriate connectors (see "Desktop Computer — Back-Panel Connectors" on page 15). |
| 3 | power connector | Insert the power cable. |
| 4 | voltage selection switch | Your computer is equipped with a manual voltage selection switch.
To help avoid damaging a computer with a manual voltage selection switch, set the switch for the voltage that most closely matches the AC power available in your location. |
| | | ⚠ NOTICE: The voltage selection switch must be set to the 115-V position even though the AC power available in Japan is 100 V. |
| | | Also, ensure that your monitor and attached devices are electrically rated to operate with the AC power available in your location. |
| 5 | padlock ring | Insert a padlock to lock the computer cover. |
| 6 | cover-release latch | Allows you to open the computer cover. |

Desktop Computer — Back-Panel Connectors



- | | | |
|---|------------------------------|---------------------------------------------------------------------------------------------------------------------------------------------------------------------------------------------------------------------------------------------------------------------------------------------------------------------------------------------------------------------------------------------------------------------------------------------------------------------------------------------------------------------------------------------------------------------------------------------------------------------------------------------------------------------------------------------------------------------|
| 1 | parallel connector | <p>Connect a parallel device, such as a printer, to the parallel connector. If you have a USB printer, plug it into a USB connector.</p> <p>NOTE: The integrated parallel connector is automatically disabled if the computer detects an installed card containing a parallel connector configured to the same address. For more information, see your online <i>User's Guide</i>.</p> |
| 2 | link integrity light | <ul style="list-style-type: none"> • Green — A good connection exists between a 10-Mbps network and the computer. • Orange — A good connection exists between a 100-Mbps network and the computer. • Yellow — A good connection exists between a 1-Gbps (or 1000-Mbps) network and the computer. • Off — The computer is not detecting a physical connection to the network. |
| 3 | network adapter connector | <p>To attach your computer to a network or broadband device, connect one end of a network cable to either a network jack or your network or broadband device. Connect the other end of the network cable to the network adapter connector on the back panel of your computer. A click indicates that the network cable has been securely attached.</p> <p>NOTE: Do not plug a telephone cable into the network connector.</p> <p>On computers with a network connector card, use the connector on the card.</p> <p>It is recommended that you use Category 5 wiring and connectors for your network. If you must use Category 3 wiring, force the network speed to 10 Mbps to ensure reliable operation.</p> |
| 4 | network activity light | <p>Flashes a yellow light when the computer is transmitting or receiving network data. A high volume of network traffic may make this light appear to be in a steady "on" state.</p> |
| 5 | line-out connector | <p>Use the green line-out connector to attach most speakers with integrated amplifiers.</p> |
| 6 | line-in/microphone connector | <p>Use the blue and pink line-in/microphone connector to attach a record/playback device such as a cassette player, CD player, or VCR.; or a personal computer microphone for voice or musical input into a sound or telephony program.</p> |
| 7 | USB 2.0 connectors (6) | <p>Use the back USB connectors for devices that typically remain connected, such as printers and keyboards.</p> |
| 8 | video connector | <p>Plug the cable from your VGA-compatible monitor into the blue connector.</p> <p>NOTE: If you purchased an optional graphics card, this connector will be covered by a cap. Connect your monitor to the connector on the graphics card. Do not remove the cap.</p> <p>NOTE: If you are using a graphics card that supports dual monitors, use the y-cable that came with your computer.</p> |
| 9 | serial connector | <p>Connect a serial device, such as a handheld device, to the serial port. The default designations are COM1 for serial connector 1 and COM2 for serial connector 2.</p> <p>For more information, see your online <i>User's Guide</i>.</p> |

Small Form Factor Computer — Front View



- | | | |
|---|---------------------------|-----------------------------------------------------------------------------------------------------------------------------------------------------------------------------------------------------------------------------------------------------------------------------------------------------------------------------------------------------------------------------------------------------------|
| 1 | USB 2.0 connectors (2) | Use the front USB connectors for devices that you connect occasionally, such as joysticks or cameras, or for bootable USB devices (see your online <i>User's Guide</i> for more information about booting to a USB device).

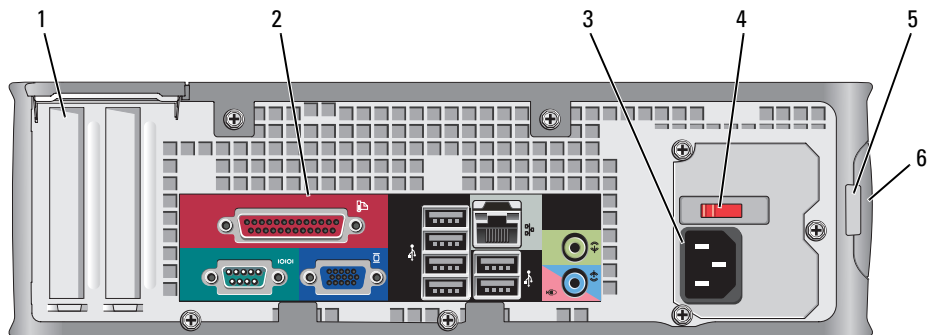
It is recommended that you use the back USB connectors for devices that typically remain connected, such as printers and keyboards. |
| 2 | power button | Press to turn on the computer.

➔ NOTICE: To avoid losing data, do not turn off the computer by pressing the power button. Instead, perform an operating system shutdown. See "Before You Begin" on page 25 for more information.

➔ NOTICE: If your operating system has ACPI enabled, when you press the power button the computer will perform an operating system shutdown. |
| 3 | Dell badge | Can be rotated to match the orientation of your computer. To rotate, place fingers around the outside of the badge, press firmly, and turn the badge. You can also rotate the badge using the slot provided near the bottom of the badge. |
| 4 | LAN indicator light | Indicates that a LAN (local area network) connection is established. |
| 5 | diagnostic lights | Use the lights to help you troubleshoot a computer problem based on the diagnostic code. For more information, see "Diagnostic Lights" on page 50. |
| 6 | hard drive activity light | This light flickers when the hard drive is being accessed. |

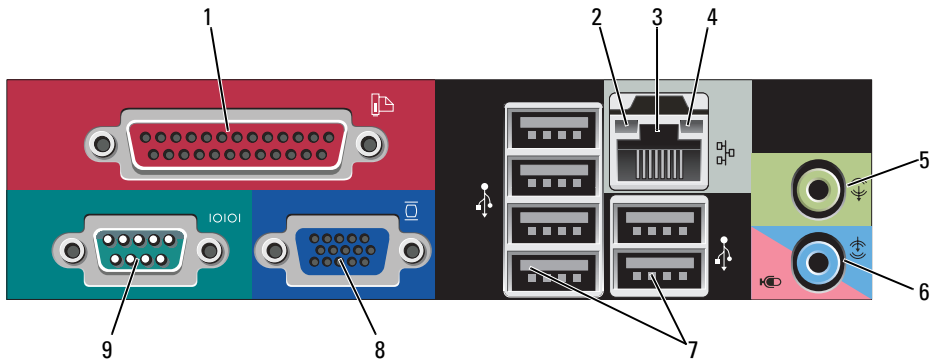
- | | | |
|----|----------------------|--------------------------------------------------------------------------------------------------------------------------------------------------------------------------------------------------------------------------------------------------------------------------------------------------------------------------------------------------------------------------------------------------------------------------------------------------------------------------------------------------------------------------------------------------------------------------------------------------------------------------------------------------------------------------------------------------------------------------------------------------------------------------------------------------------------------------------------------------|
| 7 | power light | <p>The power light illuminates and blinks or remains solid to indicate different operating states:</p> <ul style="list-style-type: none"> • No light — The computer is turned off. • Steady green — The computer is in a normal operating state. • Blinking green — The computer is in a power-saving mode. • Blinking or solid amber — See your online <i>User's Guide</i>. <p>To exit from a power-saving mode, press the power button or use the keyboard or the mouse if it is configured as a wake device in the Windows Device Manager. For more information about sleep modes and exiting from a power-saving mode, see your online <i>User's Guide</i>.</p> <p>See "System Lights" on page 49 for a description of light codes that can help you troubleshoot problems with your computer.</p> |
| 8 | headphone connector | Use the headphone connector to attach headphones and most kinds of speakers. |
| 9 | microphone connector | Use the microphone connector to attach a microphone. |
| 10 | 3.5-inch drive bay | Can contain an optional floppy drive or optional media card reader. |
| 11 | 5.25-inch drive bay | Can contain an optical drive. Insert a CD or DVD (if supported) into this drive. |

Small Form Factor Computer — Back View



- | | | |
|---|--------------------------|--------------------------------------------------------------------------------------------------------------------------------------------------------------------------------------------------------------------------------------------------|
| 1 | card slots | Access connectors for any installed PCI and PCI Express cards. |
| 2 | back-panel connectors | Plug serial, USB, and other devices into the appropriate connectors (see "Small Form Factor Computer — Back-Panel Connectors" on page 19). |
| 3 | power connector | Insert the power cable. |
| 4 | voltage selection switch | Your computer is equipped with a manual voltage-selection switch.
To help avoid damaging a computer with a manual voltage selection switch, set the switch for the voltage that most closely matches the AC power available in your location. |
| | | ➡ NOTICE: The voltage selection switch must be set to the 115-V position even though the AC power available in Japan is 100 V. |
| | | Also, ensure that your monitor and attached devices are electrically rated to operate with the AC power available in your location. |
| 5 | padlock ring | Insert a padlock to lock the computer cover. |
| 6 | cover release latch | Allows you to open the computer cover. |

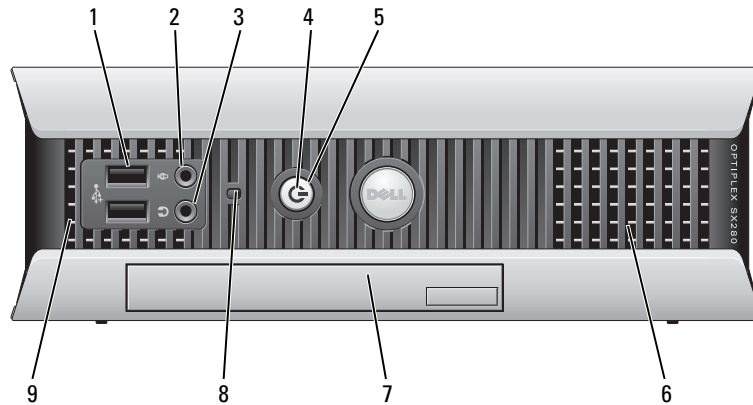
Small Form Factor Computer — Back-Panel Connectors



- | | | |
|---|------------------------------|---------------------------------------------------------------------------------------------------------------------------------------------------------------------------------------------------------------------------------------------------------------------------------------------------------------------------------------------------------------------------------------------------------------------------------------------------------------------------------------------------------------------------------------------------------------------------------------------------------------------------------------------------------------------------------------------------------------------|
| 1 | parallel connector | <p>Connect a parallel device, such as a printer, to the parallel connector. If you have a USB printer, plug it into a USB connector.</p> <p>NOTE: The integrated parallel connector is automatically disabled if the computer detects an installed card containing a parallel connector configured to the same address. For more information, see your online <i>User's Guide</i>.</p> |
| 2 | link integrity light | <ul style="list-style-type: none"> • Green — A good connection exists between a 10-Mbps network and the computer. • Orange — A good connection exists between a 100-Mbps network and the computer. • Yellow — A good connection exists between a 1-Gbps (or 1000-Mbps) network and the computer. • Off — The computer is not detecting a physical connection to the network. |
| 3 | network adapter connector | <p>To attach your computer to a network or broadband device, connect one end of a network cable to either a network jack or your network or broadband device. Connect the other end of the network cable to the network adapter connector on the back panel of your computer. A click indicates that the network cable has been securely attached.</p> <p>NOTE: Do not plug a telephone cable into the network connector.</p> <p>On computers with a network connector card, use the connector on the card.</p> <p>It is recommended that you use Category 5 wiring and connectors for your network. If you must use Category 3 wiring, force the network speed to 10 Mbps to ensure reliable operation.</p> |
| 4 | network activity light | <p>Flashes a yellow light when the computer is transmitting or receiving network data. A high volume of network traffic may make this light appear to be in a steady "on" state.</p> |
| 5 | line-out connector | <p>Use the green line-out connector (available on computers with integrated sound) to attach most speakers with integrated amplifiers.</p> |
| 6 | line-in/microphone connector | <p>Use the blue and pink line-in/microphone connector (available on computers with integrated sound) to attach a record/playback device such as a cassette player, CD player, or VCR; or a personal computer microphone for voice or musical input into a sound or telephony program.</p> |
| 7 | USB 2.0 connectors (6) | <p>Use the back USB connectors for devices that typically remain connected, such as printers and keyboards.</p> |

- 8 video connector Plug the cable from your VGA-compatible monitor into the blue connector.
NOTE: If you purchased an optional graphics card, this connector will be covered by a cap. Connect your monitor to the connector on the graphics card. Do not remove the cap.
NOTE: If you are using a graphics card that supports dual monitors, use the y-cable that came with your computer.
- 9 serial connector Connect a serial device, such as a handheld device, to the serial port. The default designations are COM1 for serial connector 1 and COM2 for serial connector 2.
For more information, see your online *User's Guide*.

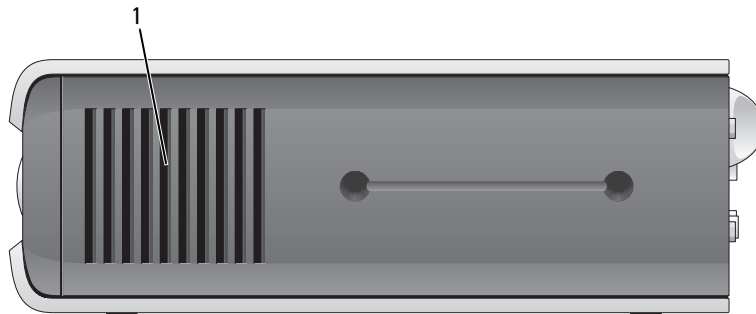
Ultra-Small Form Factor Computer — Front View



- 1 USB connectors (2) Use the front USB connectors for devices that you connect occasionally, such as joysticks or cameras, or for bootable USB devices (see your online *User's Guide* for more information about booting to a USB device).
It is recommended that you use the back USB connectors for devices that typically remain connected, such as printers and keyboards.
- 2 headphone connector Use the headphone connector to attach headphones and most kinds of speakers.
- 3 microphone connector Use the microphone connector to attach a microphone.

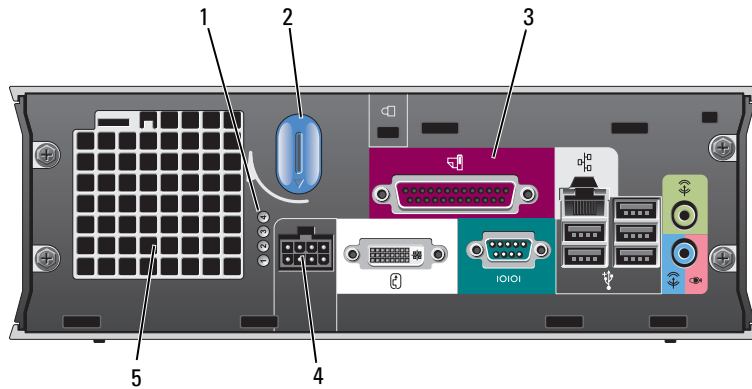
- 4 power light The power light illuminates and blinks or remains solid to indicate different states:
- No light — The computer is turned off.
 - Steady green — The computer is in a normal operating state.
 - Blinking green — The computer is in a power-saving mode.
 - Blinking or solid yellow — See your online *User's Guide*.
- To exit from a power-saving mode, press the power button or use the keyboard or the mouse if it is configured as a wake device in the Windows Device Manager. For more information about sleep modes and exiting from a power-saving mode, see your online *User's Guide*.
- See "System Lights" on page 49 for a description of light codes that can help you troubleshoot problems with your computer.
- 5 power button Press this button to turn on the computer.
- ➡ NOTICE:** To avoid losing data, do not turn off the computer by pressing the power button. Instead, perform an operating system shutdown. See "Before You Begin" on page 25 for more information.
- 6 vents The vents help prevent your computer from overheating. To ensure proper ventilation, do not block these cooling vents.
- 7 module bay Install a D-module optical drive, second hard drive, or floppy drive in the module bay.
- 8 hard-drive access light The hard-drive access light is on when the computer reads data from or writes data to the hard drive. The light might also be on when devices such as your CD player are operating.
- 9 vents The vents help prevent your computer from overheating. To ensure proper ventilation, do not block these cooling vents.

Ultra-Small Form Factor Computer — Side View



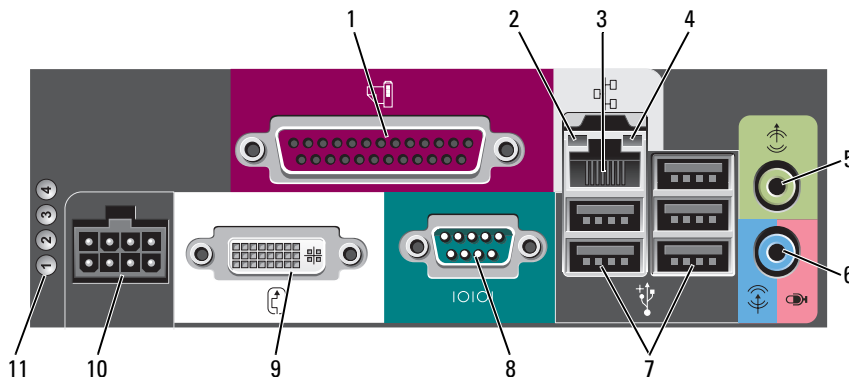
- 1 vents The vents located on each side of the computer help prevent your computer from overheating. To ensure proper ventilation, do not block these cooling vents.

Ultra-Small Form Factor Computer — Back View



- | | | |
|---|-----------------------------|---------------------------------------------------------------------------------------------------------------------------------|
| 1 | diagnostic lights | See "Diagnostic Lights" on page 50 for a description of light codes that can help you troubleshoot problems with your computer. |
| 2 | computer cover release knob | Rotate this knob in a clockwise direction to remove the cover. |
| 3 | back-panel connectors | The connectors for your computer (see "Ultra-Small Form Factor Computer — Back-Panel Connectors" on page 23). |
| 4 | power connector | Insert the power cable. |
| 5 | vents | The vents help prevent your computer from overheating. To ensure proper ventilation, do not block these cooling vents. |

Ultra-Small Form Factor Computer — Back-Panel Connectors



- | | | |
|---|--------------------|-----------------------------------------------------------------------------------------------------------------------------------|
| 1 | parallel connector | Connect a parallel device, such as a printer, to the parallel connector. If you have a USB printer, plug it into a USB connector. |
|---|--------------------|-----------------------------------------------------------------------------------------------------------------------------------|

- | | | |
|----|-------------------------------|---------------------------------------------------------------------------------------------------------------------------------------------------------------------------------------------------------------------------------------------------------------------------------------------------------------------------------------------------------------------------------------------------------------------------------------------------------------------------------------------------------------------------------------------------------------------------------------------------------------------------------------------------------------------------------------------------------------------|
| 2 | link integrity light | <ul style="list-style-type: none"> • Green — A good connection exists between a 10-Mbps network and the computer. • Orange — A good connection exists between a 100-Mbps network and the computer. • Yellow — A good connection exists between a 1000-Mbps (1-Gbps) network and the computer. • Off — The computer is not detecting a physical connection to the network or the network controller is turned off in system setup. |
| 3 | network adapter | <p>To attach your computer to a network or broadband device, connect one end of a network cable to either a network jack or your network or broadband device. Connect the other end of the network cable to the network adapter connector on the back panel of your computer. A click indicates that the network cable has been securely attached.</p> <p>NOTE: Do not plug a telephone cable into the network connector.</p> <p>On computers with a network connector card, use the connector on the card.</p> <p>It is recommended that you use Category 5 wiring and connectors for your network. If you must use Category 3 wiring, force the network speed to 10 Mbps to ensure reliable operation.</p> |
| 4 | network activity light | The amber light flashes when the computer is transmitting or receiving network data. A high volume of network traffic may make this light appear to be in a steady "on" state. |
| 5 | line-out connector | Use the green line-out connector to attach an amplified speaker set. |
| 6 | line-in/ microphone connector | Use the blue and pink line-in/ microphone connector to attach a record/playback device such as a cassette player, CD player, or VCR.; or a personal computer microphone for voice or musical input into a sound or telephony program. |
| 7 | USB connectors (5) | Use the back USB connectors for devices that typically remain connected, such as printers and keyboards. |
| 8 | serial connector | Connect a serial device, such as a handheld device, to the serial connector. |
| 9 | video connector | <p>If you have a DVI-compatible monitor, plug the cable from your monitor into the white connector on the back panel.</p> <p>If you have a VGA monitor, see "Connecting a VGA Monitor" in your computer <i>User's Guide</i>.</p> |
| 10 | power connector | The connector for the power adapter. |
| 11 | diagnostic lights | See "Diagnostic Lights" on page 50 for a description of light codes that can help you troubleshoot problems with your computer. |

Removing the Computer Cover




CAUTION: Before you begin any of the procedures in this section, follow the safety instructions in the *Product Information Guide*.



CAUTION: To guard against electrical shock, always unplug your computer from the electrical outlet before removing the cover.


Before You Begin


-  **NOTICE:** To avoid losing data, save and close any open files and exit any open programs before you turn off your computer.
- 1 Shut down the operating system:
 - a Save and close any open files, exit any open programs, click the **Start** button, and then click **Turn Off Computer**.
 - b In the **Turn off computer** window, click **Turn off**.
The computer turns off after the operating system shutdown process finishes.
- 2 Ensure that the computer and any attached devices are turned off. If your computer and attached devices did not automatically turn off when you shut down your operating system, turn them off now.


Before Working Inside Your Computer

Use the following safety guidelines to help protect your computer from potential damage and to help ensure your own personal safety.

 **CAUTION:** Before you begin any of the procedures in this section, follow the safety instructions in the *Product Information Guide*.


 **CAUTION:** Handle components and cards with care. Do not touch the components or contacts on a card. Hold a card by its edges or by its metal mounting bracket. Hold a component such as a processor by its edges, not by its pins.

 **NOTICE:** Only a certified service technician should perform repairs on your computer. Damage due to servicing that is not authorized by Dell is not covered by your warranty.

 **NOTICE:** When you disconnect a cable, pull on its connector or on its strain-relief loop, not on the cable itself. Some cables have a connector with locking tabs; if you are disconnecting this type of cable, press in on the locking tabs before you disconnect the cable. As you pull connectors apart, keep them evenly aligned to avoid bending any connector pins. Also, before you connect a cable, ensure that both connectors are correctly oriented and aligned.

To avoid damaging the computer, perform the following steps before you begin working inside the computer.

- 1 Turn off your computer.

 **NOTICE:** To disconnect a network cable, first unplug the cable from your computer and then unplug it from the network wall jack.

- 2 Disconnect any telephone or telecommunication lines from the computer.

- 3 Disconnect your computer and all attached devices from their electrical outlets, and then press the power button to ground the system board.

- 4 If applicable, remove the computer stand (for instructions, see the documentation that came with the stand).

 **CAUTION:** To guard against electrical shock, always unplug your computer from the electrical outlet before removing the cover.

5 Remove the computer cover:

- Remove the mini tower computer cover (see "Mini Tower Computer" on page 26).
- Remove the desktop computer cover (see "Desktop Computer" on page 27).
- Remove the small form factor computer cover (see "Small Form Factor Computer" on page 28).
- Remove the ultra-small form factor computer cover (see "Ultra-Small Form Factor Computer" on page 30).



NOTICE: Before touching anything inside your computer, ground yourself by touching an unpainted metal surface, such as the metal at the back of the computer. While you work, periodically touch an unpainted metal surface to dissipate any static electricity that could harm internal components.

Mini Tower Computer



CAUTION: Before you begin any of the procedures in this section, follow the safety instructions in the *Product Information Guide*.

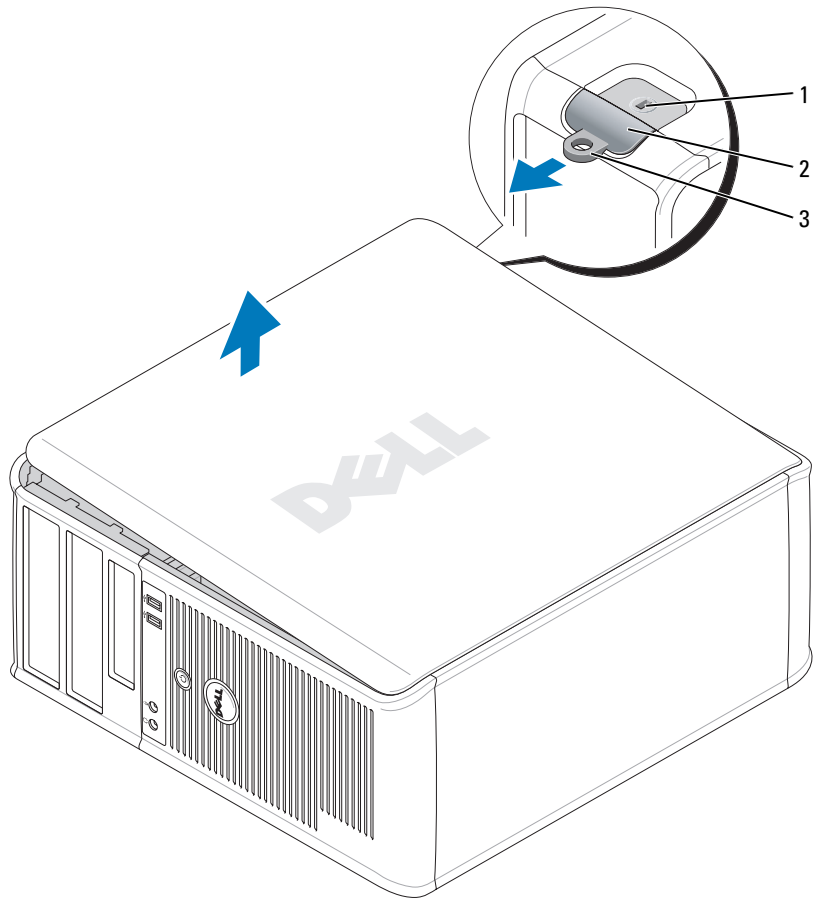


CAUTION: To guard against electrical shock, always unplug your computer from the electrical outlet before removing the computer cover.

- 1 Follow the procedures in "Before You Begin" on page 25.
- 2 Lay the computer on its side as shown in the illustration.
- 3 Locate the cover release latch shown in the illustration. Then, slide the release latch back as you lift the cover.
- 4 Grip the sides of the computer cover and pivot the cover up using the hinge tabs as leverage points.
- 5 Remove the cover from the hinge tabs and set it aside on a soft nonabrasive surface.



CAUTION: Graphic card heatsinks may become very hot during normal operation. Ensure that a graphic card heatsink has had sufficient time to cool before you touch it.



1 security cable slot

2 cover release latch

3 padlock ring

Desktop Computer

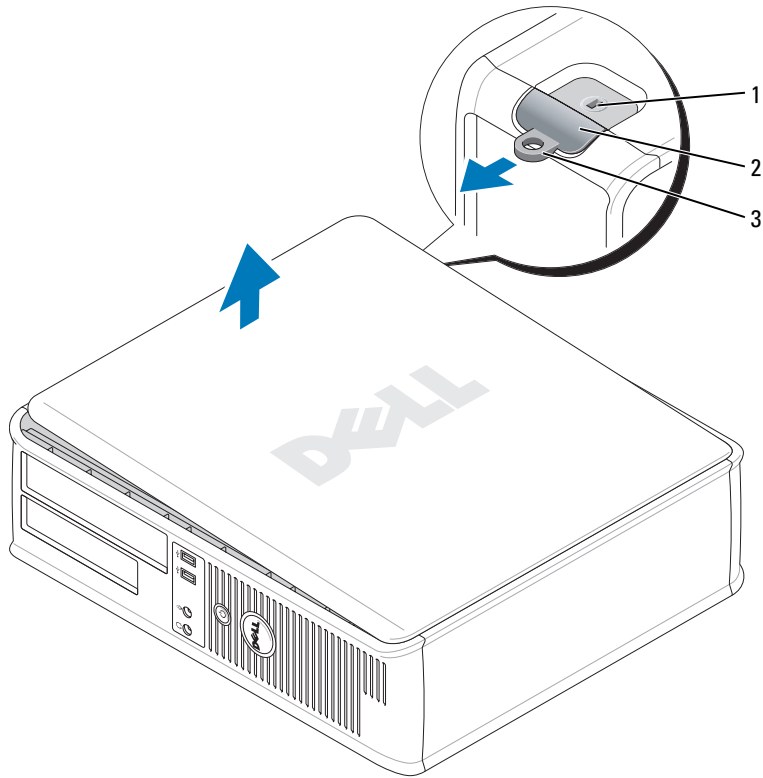
⚠ CAUTION: Before you begin any of the procedures in this section, follow the safety instructions in the *Product Information Guide*.

⚠ CAUTION: To guard against electrical shock, always unplug your computer from the electrical outlet before removing the computer cover.

- 1 Follow the procedures in "Before You Begin" on page 25.
- 2 If you have installed a padlock through the padlock ring on the back panel, remove the padlock.

- 3 Locate the cover release latch shown in the illustration. Then, slide the release latch back as you lift the cover.
- 4 Grip the sides of the computer cover and pivot the cover up using the hinge tabs as leverage points.
- 5 Remove the cover from the hinge tabs and set it aside on a soft nonabrasive surface.

CAUTION: Graphic card heatsinks may become very hot during normal operation. Ensure that a graphic card heatsink has had sufficient time to cool before you touch it.



1 security cable slot

2 cover release latch


3 padlock ring

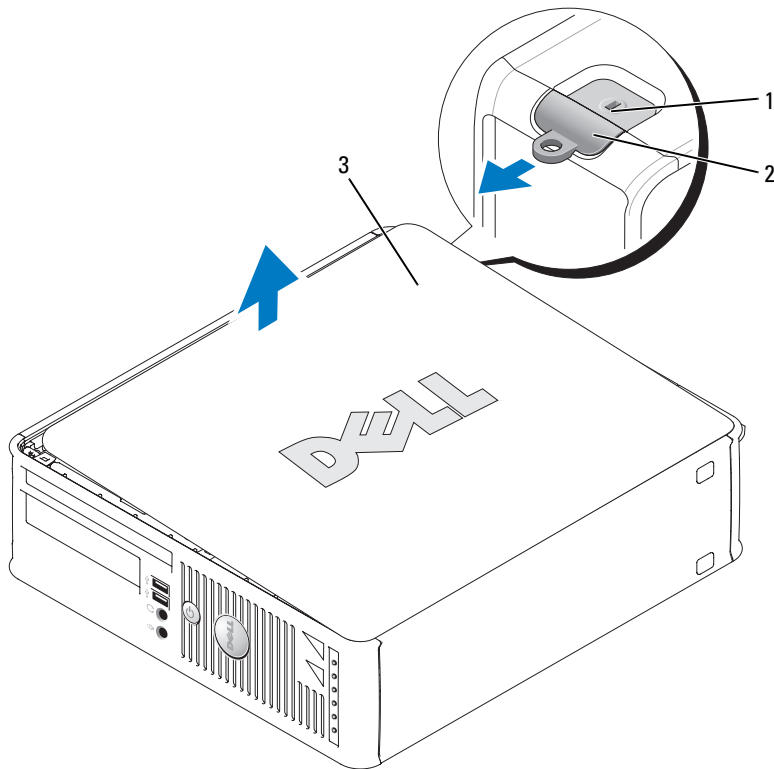
Small Form Factor Computer

CAUTION: Before you begin any of the procedures in this section, follow the safety instructions in the *Product Information Guide*.

CAUTION: To guard against electrical shock, always unplug your computer from the electrical outlet before removing the computer cover.

- 1 Follow the procedures in "Before You Begin" on page 25.
- 2 If you have installed a padlock through the padlock ring on the back panel, remove the padlock.
- 3 Locate the cover release latch shown in the illustration. Then, slide the release latch back as you lift the cover.
- 4 Grip the sides of the computer cover and pivot the cover up using the bottom hinges as leverage points.
- 5 Remove the cover from the hinge tabs and set it aside on a soft nonabrasive surface.

 **CAUTION: Graphic card heatsinks may become very hot during normal operation. Ensure that a graphic card heatsink has had sufficient time to cool before you touch it.**



1 security cable slot

2 cover release latch

3 computer cover

Ultra-Small Form Factor Computer

⚠ CAUTION: Before you begin any of the procedures in this section, follow the safety instructions in the *Product Information Guide*.

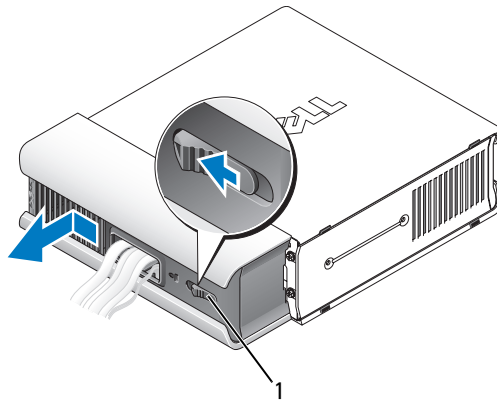
⚠ CAUTION: To guard against electrical shock, always unplug your computer from the electrical outlet before removing the computer cover.

1 Follow the procedures in "Before You Begin" on page 25.

➡ NOTICE: Before touching anything inside your computer, ground yourself by touching an unpainted metal surface. While you work, periodically touch an unpainted metal surface to dissipate any static electricity that could harm internal components.

2 If applicable, remove the cable cover.

a If a security device is installed in the security cable slot, remove the device.



1 release button

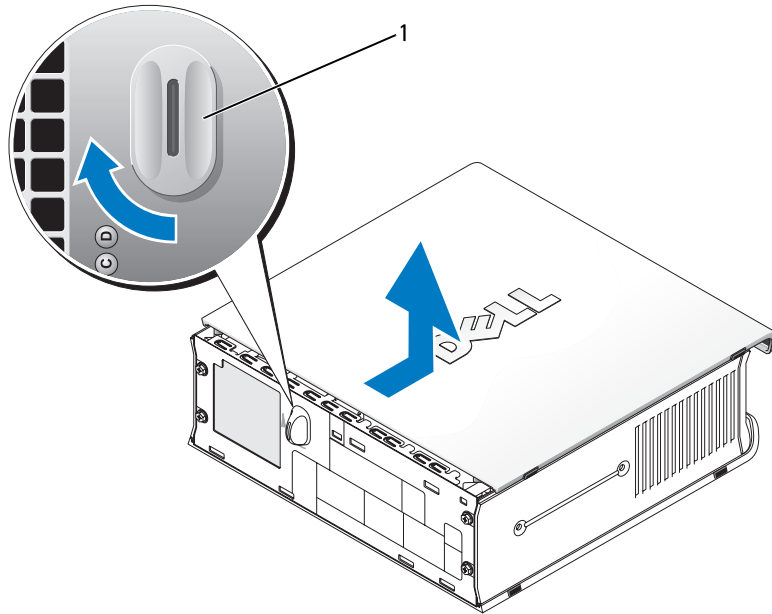
b Press on the release button, grasp the cable cover, and slide the cover to the left until it stops, and then lift the cable cover up and away.

3 Remove the computer cover:

a Rotate the cover release knob in a clockwise direction, as shown in the illustration.

b Slide the computer cover forward by 1 cm (1/2 inch), or until it stops, and then raise the cover.

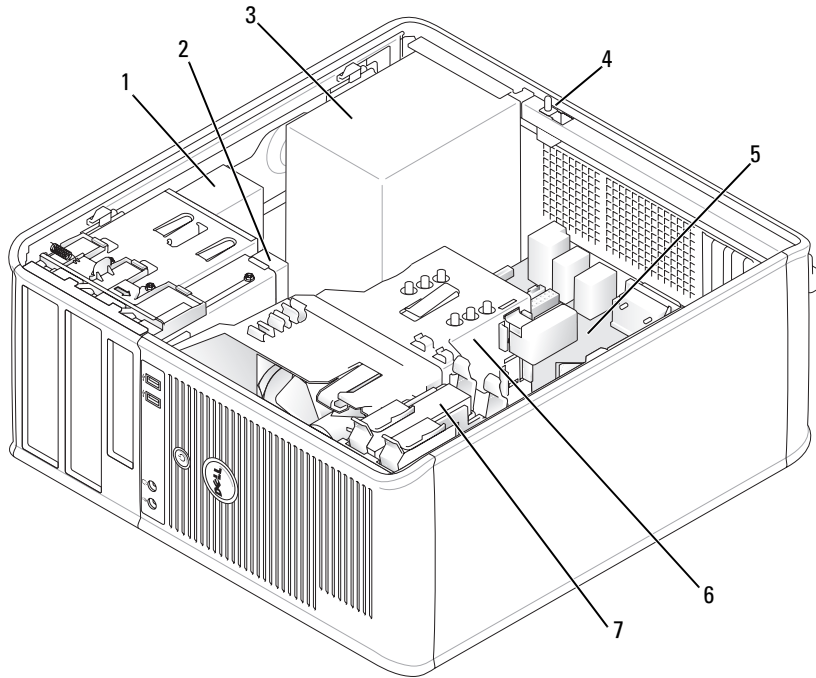
⚠ CAUTION: Graphic card heatsinks may become very hot during normal operation. Ensure that a graphic card heatsink has had sufficient time to cool before you touch it.



1 release knob

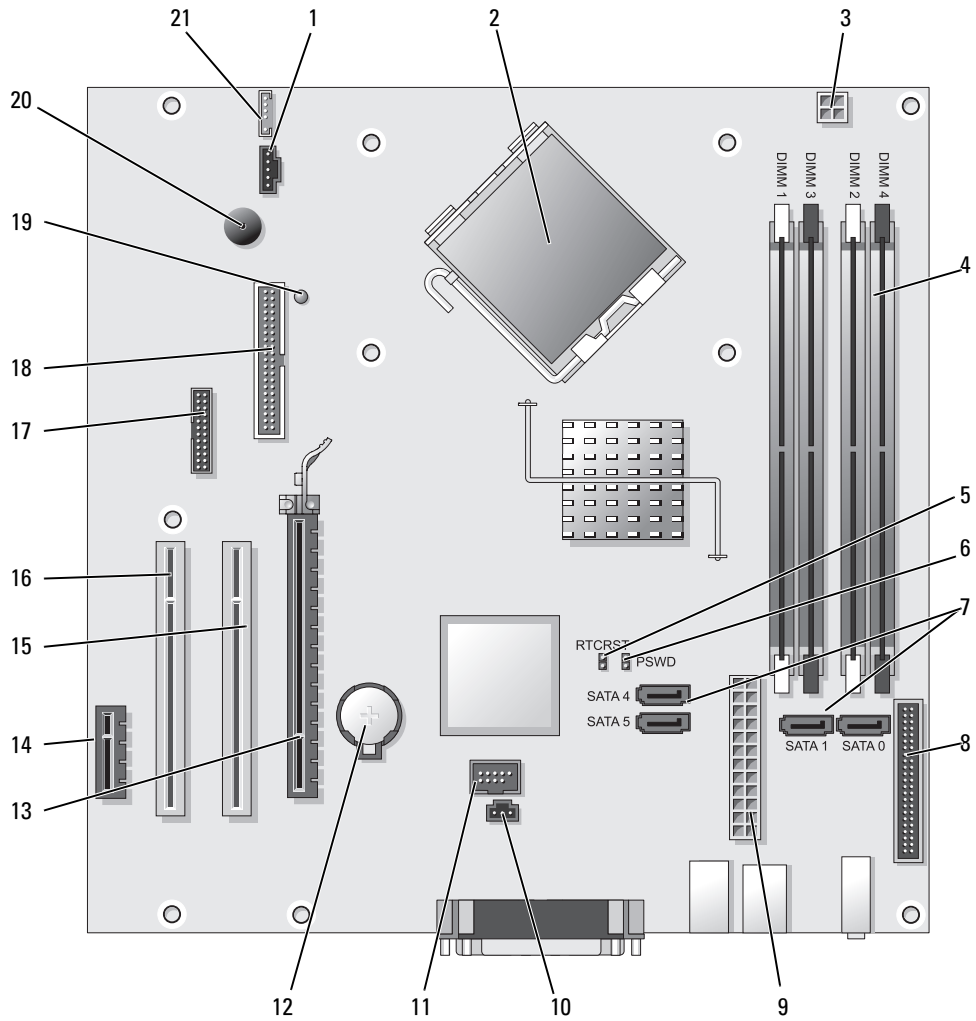
Inside Your Computer

Mini Tower Computer



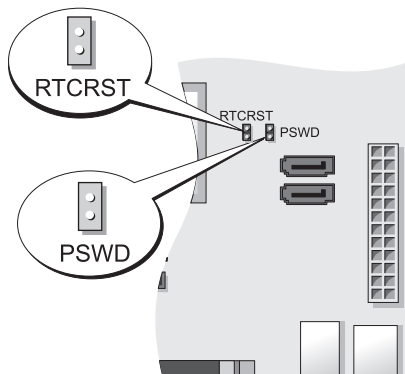
- | | | | | | |
|---|-----------------------------------|---|-----------------------------------|---|--------------------|
| 1 | optical drive | 2 | floppy drive or media card reader | 3 | power supply |
| 4 | optional chassis-intrusion switch | 5 | system board | 6 | heat-sink assembly |
| 7 | hard drive | | | | |





System Board Components



- | | | | |
|----|-----------------------------------------------------------|----|-----------------------------------|
| 1 | fan connector (FAN) | 12 | battery socket (BATT) |
| 2 | processor connector (CPU) | 13 | PCI Express x16 connector (SLOT1) |
| 3 | processor power connector (12VPOWER) | 14 | PCI Express x1 connector (SLOT4) |
| 4 | memory module connectors (DIMM_1, DIMM_2, DIMM_3, DIMM_4) | 15 | PCI connector (SLOT2) |
| 5 | RTC reset jumper (RTCRST) | 16 | PCI connector (SLOT3) |
| 6 | password jumper (PSWD) | 17 | serial connector (SER2) |
| 7 | SATA drive connectors (SATA0, SATA1, SATA4, SATA5) | 18 | floppy drive connector (DSKT) |
| 8 | front-panel connector (FNT_PANEL) | 19 | flea power |
| 9 | power connector (POWER) | 20 | system board speaker (BEEP) |
| 10 | intrusion switch connector (INTRUDER) | 21 | speaker connector (INT_SPKR) |
| 11 | internal USB (INTERNAL_USB) | | |

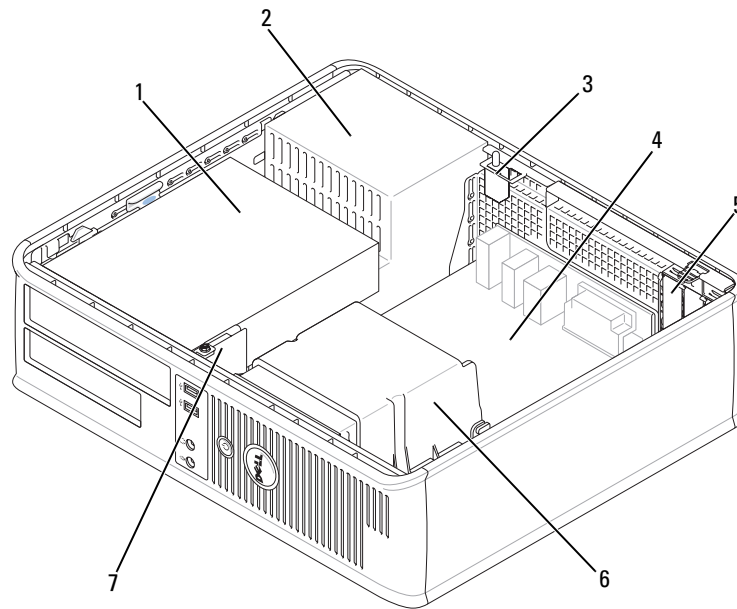
Jumper Settings



Jumper	Setting	Description
PSWD		Password features are enabled (default setting).
		Password features are disabled.
RTCRST		The real-time clock has not been reset.
		The real-time clock is being reset (jumpered temporarily).

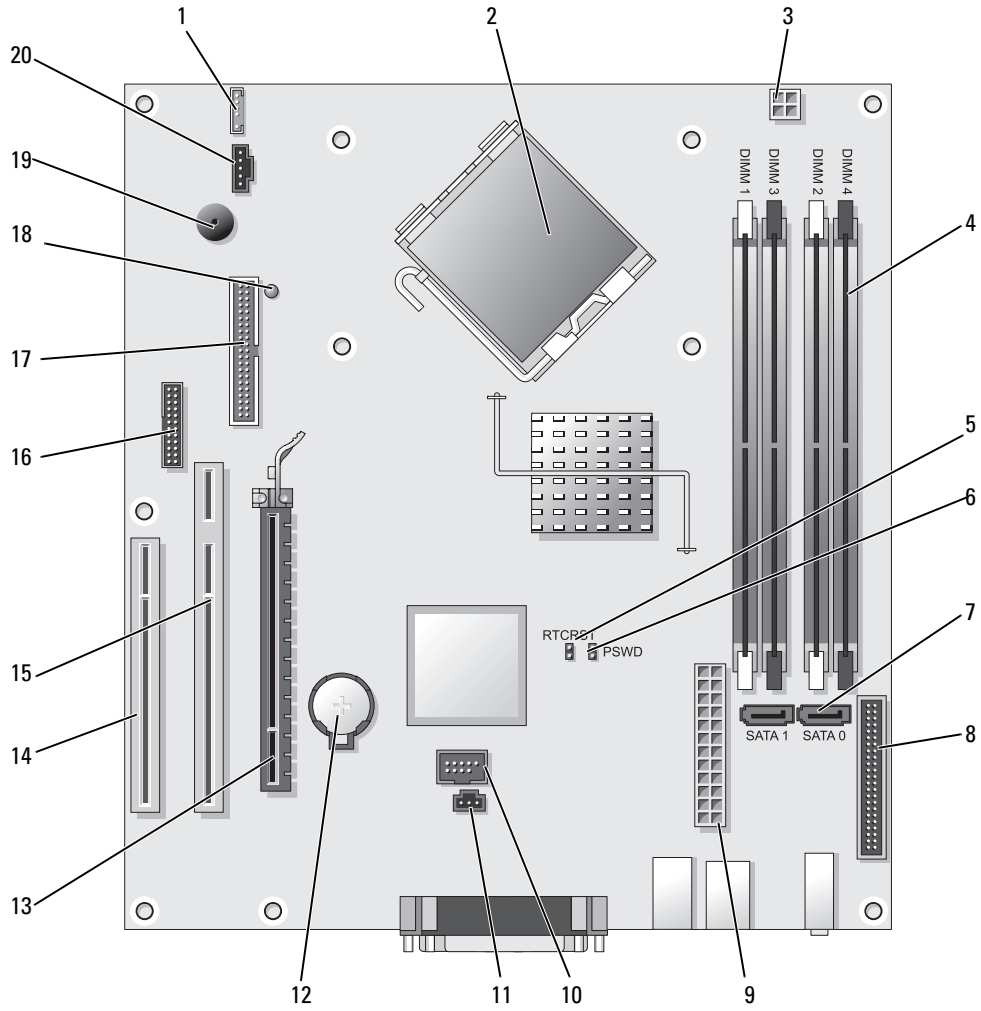
 *jumpered*  *unjumpered*

Desktop Computer



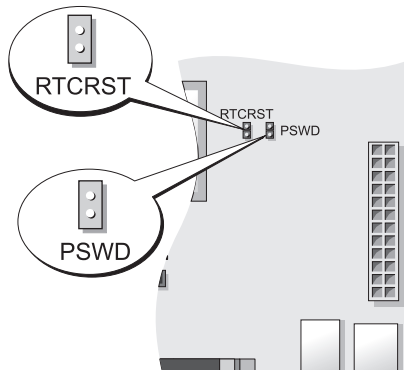
- | | | | | | |
|---|------------------------------------------------------------------------------|---|--------------|---|-----------------------------------|
| 1 | drive bays (media card reader or floppy drive, optical drive and hard drive) | 2 | power supply | 3 | optional chassis-intrusion switch |
| 4 | system board | 5 | card slots | 6 | heat sink assembly |
| 7 | front I/O panel | | | | |

System Board Components



- | | | | |
|----|-----------------------------------------------------------|----|---------------------------------------|
| 1 | internal speaker (INT_SPKR) | 11 | intrusion switch connector (INTRUDER) |
| 2 | processor connector (CPU) | 12 | battery socket (BATT) |
| 3 | processor power connector (12VPOWER) | 13 | PCI Express x16 connector (SLOT1) |
| 4 | memory module connectors (DIMM_1, DIMM_2, DIMM_3, DIMM_4) | 14 | PCI connector (SLOT3) |
| 5 | RTC reset jumper (RTCRST) | 15 | PCI connector (SLOT2) |
| 6 | password jumper (PSWD) | 16 | serial connector (SER2) |
| 7 | SATA connectors (SATA0, SATA1) | 17 | floppy drive connector (DSKT) |
| 8 | front-panel connector (FNT_PANEL) | 18 | flea power |
| 9 | power connector (POWER) | 19 | system board speaker (BEEP) |
| 10 | internal USB (INTERNAL_USB) | 20 | fan connector (FAN) |

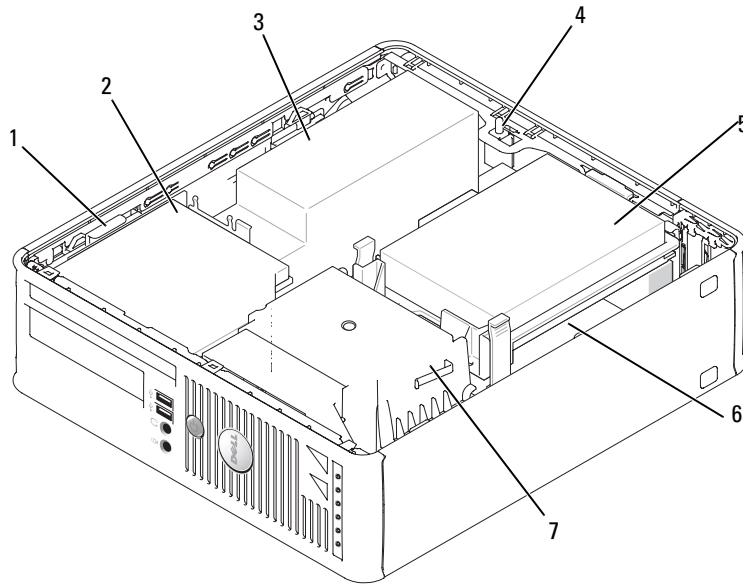
Jumper Settings



Jumper	Setting	Description
PSWD		Password features are enabled (default setting).
		Password features are disabled.
RTCRST		The real-time clock has not been reset.
		The real-time clock is being reset (jumpered temporarily).

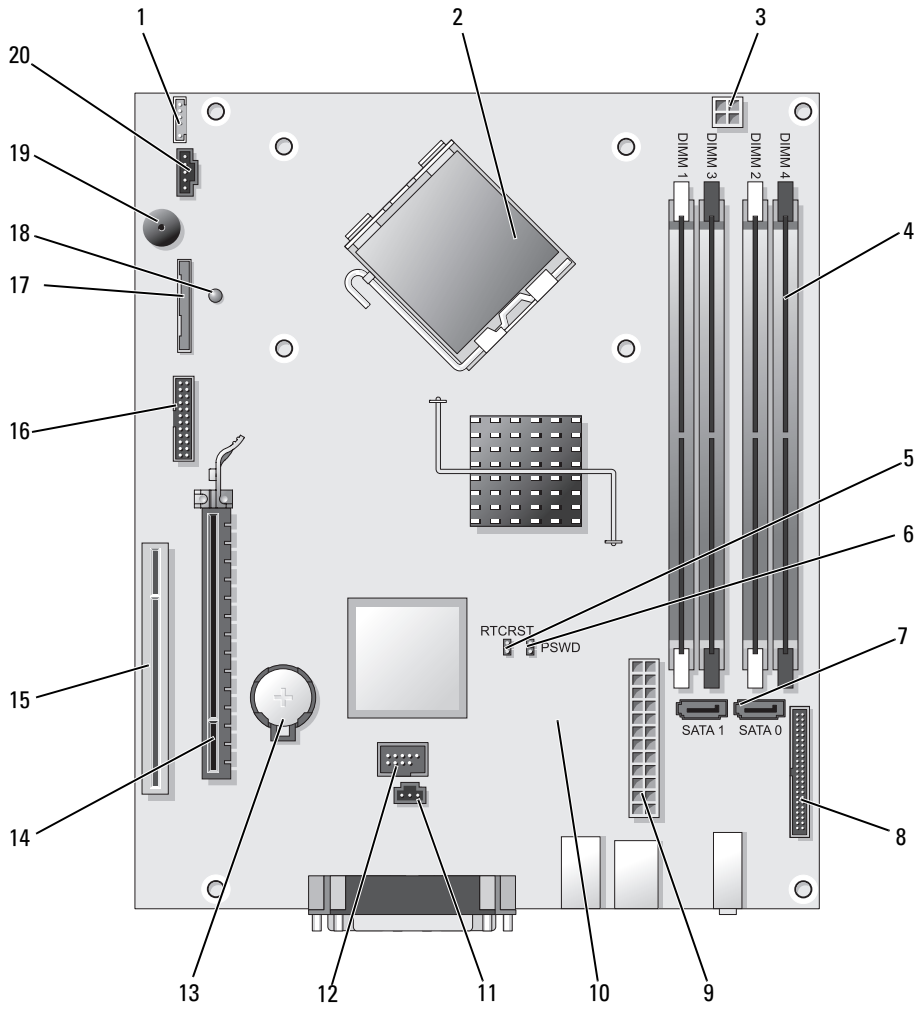
jumpered *unjumpered*

Small Form Factor Computer



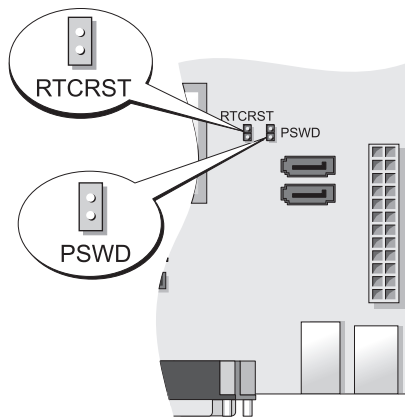
- | | | | | | |
|---|-----------------------------------|---|---------------|---|----------------------|
| 1 | drive-release latch | 2 | optical drive | 3 | power supply and fan |
| 4 | optional chassis-intrusion switch | 5 | hard drive | 6 | system board |
| 7 | heat sink and blower assembly | | | | |





System Board Components





- | | | | |
|----|-----------------------------------------------------------|----|---------------------------------------|
| 1 | internal speaker connector (INT_SPKR) | 11 | intrusion switch connector (INTRUDER) |
| 2 | processor connector (CPU) | 12 | internal USB connector (USB) |
| 3 | processor power connector (12VPOWER) | 13 | battery socket (BATT) |
| 4 | memory module connectors (DIMM_1, DIMM_2, DIMM_3, DIMM_4) | 14 | PCI Express x16 connector (SLOT1) |
| 5 | RTC reset jumper (RTCRST) | 15 | PCI connector (SLOT2) |
| 6 | password jumper (PSWD) | 16 | serial connector (SER2) |
| 7 | SATA connectors (SATA0, SATA1) | 17 | floppy drive connector (DSKT) |
| 8 | front-panel connector (FNT_PANEL) | 18 | flea power |
| 9 | power connector (POWER) | 19 | system board speaker (BEEP) |
| 10 | fan connector (FAN2) | 20 | fan connector (FAN) |

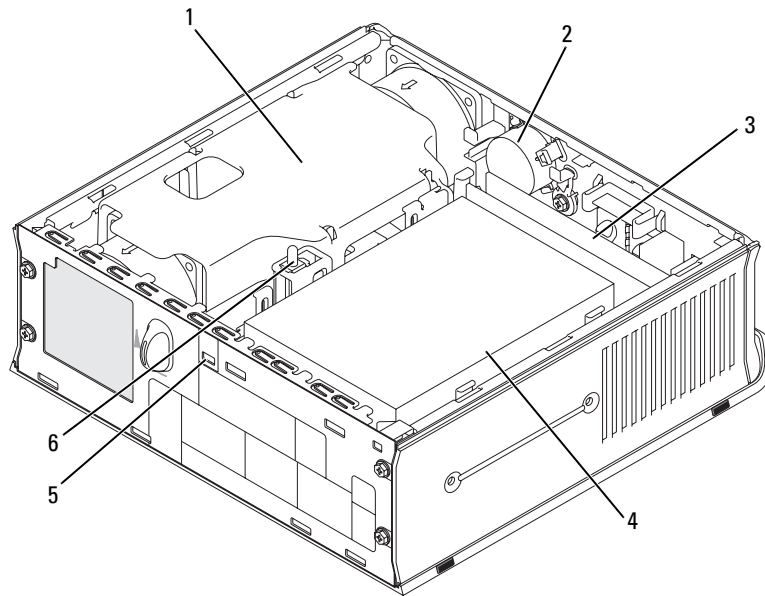
Jumper Settings



Jumper	Setting	Description
PSWD		Password features are enabled (default setting).
		Password features are disabled.
RTC RST		The real-time clock has not been reset.
		The real-time clock is being reset (jumpered temporarily).

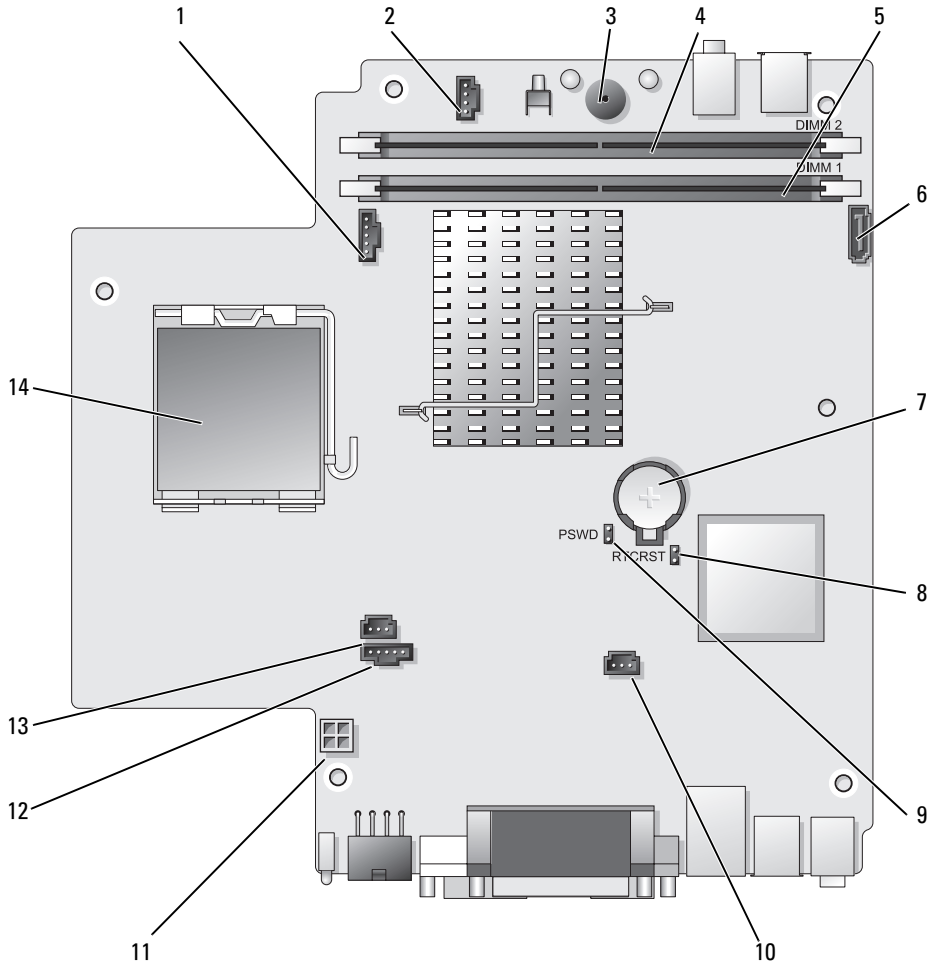
 *jumpered*
 *unjumpered*

Ultra-Small Form Factor Computer



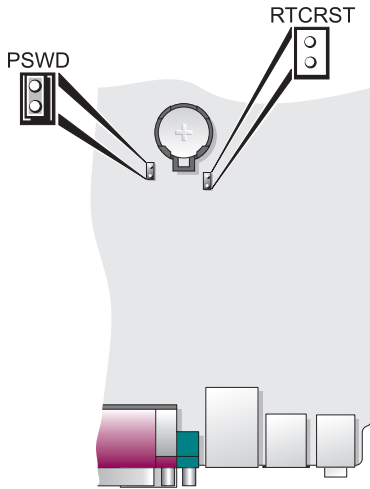
- | | | | | | |
|---|--------------------------------|---|---------------------|---|--------------------------|
| 1 | fan shroud/ heat sink assembly | 2 | speaker (optional) | 3 | memory modules (2) |
| 4 | hard drive | 5 | security cable slot | 6 | chassis intrusion switch |

System Board Components



- | | | | |
|---|---------------------------------------|----|---------------------------------------|
| 1 | fan connector (FAN_FRONT) | 8 | clear CMOS jumper (RTCST) |
| 2 | internal speaker connector (INT_SPKR) | 9 | password jumper (PSWD) |
| 3 | system board speaker (BEEP) | 10 | hard-drive fan connector (FAN_HDD) |
| 4 | channel B memory connector (DIMM_2) | 11 | hard-drive power connector (SATA_PWR) |
| 5 | channel A memory connector (DIMM_1) | 12 | fan connector (FAN_REAR) |
| 6 | SATA data cable connector (SATA0) | 13 | intrusion switch connector (INTRUDER) |
| 7 | battery (BATT) | 14 | processor (CPU) |

Jumper Settings




Jumper	Setting	Description
PSWD		Password features are enabled (default setting).
		Password features are disabled.
RTCST		The real-time clock has not been reset.
		The real-time clock is being reset (jumpered temporarily).


jumpered
 unjumpered

Setting Up Your Computer


- CAUTION:** Before performing any of the procedures in this section, follow the safety instructions in *Product Information Guide*.
- NOTICE:** If your computer has an expansion card installed (such as a modem card), connect the appropriate cable to the card, *not* to the connector on the back panel.
- NOTICE:** To help allow the computer to maintain proper operating temperature, ensure that you do not place the computer too close to a wall or other storage compartment that might prevent air circulation around the chassis. See your Product Information Guide for more information.

 **NOTE:** Before you install any devices or software that did not ship with your computer, read the documentation that came with the device or software, or contact the vendor to verify that the device or software is compatible with your computer and operating system.

You must complete all the steps to properly set up your computer. See the appropriate figures that follow the instructions.

 **NOTICE:** Do not attempt to operate a PS/2 mouse and a USB mouse simultaneously.

1 Connect the keyboard and mouse.


 **NOTICE:** Do not connect a modem cable to the network adapter connector. Voltage from telephone communications can cause damage to the network adapter

2 Connect the modem or network cable.

Insert the network cable, not the telephone line, into the network connector. If you have an optional modem, connect the telephone line to the modem.


3 Connect the monitor.


Align and gently insert the monitor cable to avoid bending connector pins. Tighten the thumbscrews on the cable connectors.

 **NOTE:** Some monitors have the video connector underneath the back of the screen. See the documentation that came with your monitor for its connector locations.

4 Connect the speakers.

5 Connect power cables to the computer, monitor, and devices and connect the other ends of the power cables to electrical outlets.

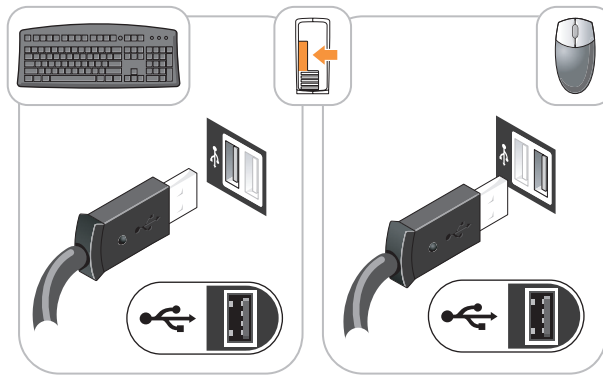
 **NOTICE:** To avoid damaging a computer with a manual voltage-selection switch, set the switch for the voltage that most closely matches the AC power available in your location.

 **NOTICE:** In Japan, the voltage selection switch must be set to the 115-V position even though the AC power available in Japan is 100 V.

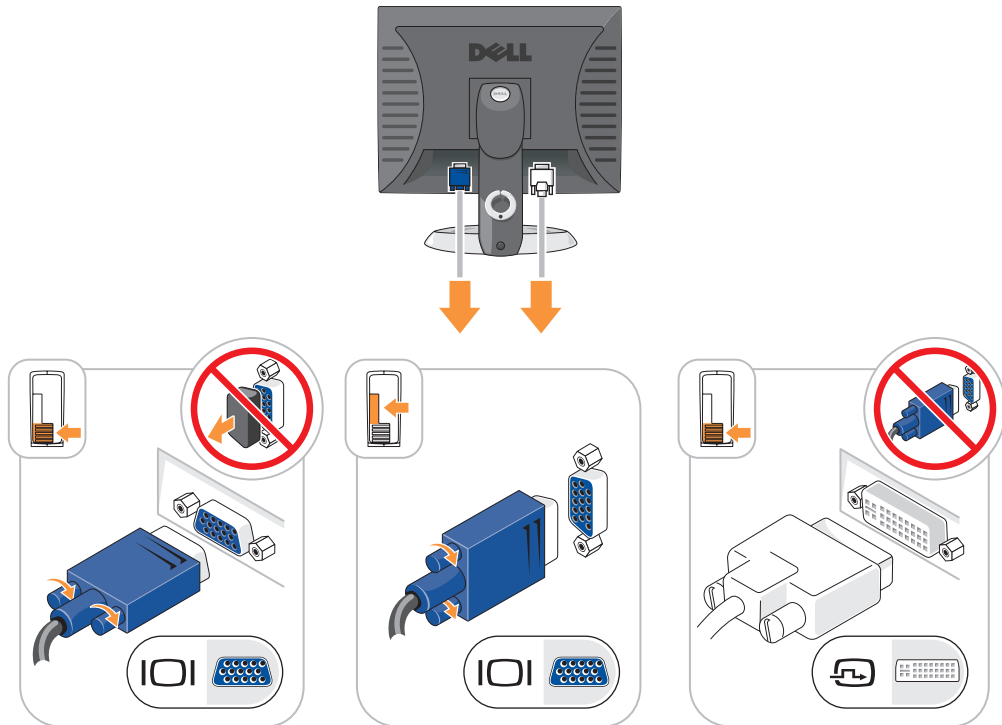
6 Verify that the voltage selection switch is set correctly for your location.

Your computer has a manual voltage-selection switch. Computers with a voltage selection switch on the back panel must be manually set to operate at the correct operating voltage.

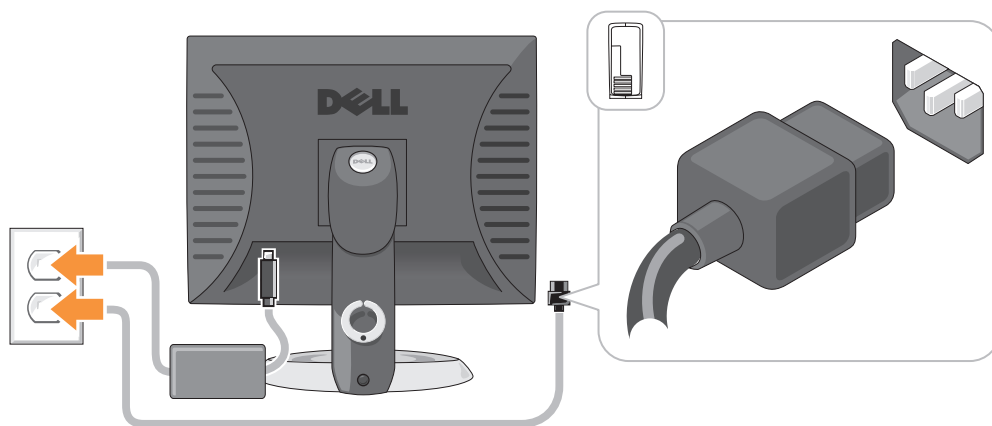
Set Up Your Keyboard and Mouse



Set Up Your Monitor



Power Connections



Solving Problems

Dell provides a number of tools to help you if your computer does not perform as expected. For the latest troubleshooting information available for your computer, see the Dell Support website at support.dell.com.

If computer problems occur that require help from Dell, write a detailed description of the error, beep codes, or diagnostics light patterns, record your Express Service Code and Service Tag below, and then contact Dell from the same location as your computer. For information on contacting Dell, see your online *User's Guide*.

For an example of the Express Service Code and Service Tag, see "Finding Information" in your computer *User's Guide*.

Express Service Code: _____

Service Tag: _____

Dell Diagnostics

⚠ CAUTION: Before you begin any of the procedures in this section, follow the safety instructions in the *Product Information Guide*.

When to Use the Dell Diagnostics

If you experience a problem with your computer, perform the checks in "Solving Problems" in your online *User's Guide* and run the Dell Diagnostics before you contact Dell for technical assistance. For information on contacting Dell, see your online *User's Guide*.

🔄 NOTICE: The Dell Diagnostics works only on Dell™ computers.

Enter system setup (see "System Setup" in your online *User's Guide* for instructions), review your computer's configuration information, and ensure that the device you want to test displays in system setup and is active.

Start the Dell Diagnostics from either your hard drive or from the optional *Drivers and Utilities CD (ResourceCD)*.

Starting the Dell Diagnostics From Your Hard Drive

- 1 Turn on (or restart) your computer.
- 2 When the DELL logo appears, press <F12> immediately.



NOTE: If you see a message stating that no diagnostics utility partition has been found, run the Dell Diagnostics from the optional *Drivers and Utilities CD* (see "Starting the Dell Diagnostics From the Drivers and Utilities CD" on page 47).

If you wait too long and the operating system logo appears, continue to wait until you see the Microsoft® Windows® desktop. Then shut down your computer and try again.

When the boot device list appears, highlight **Boot to Utility Partition** and press <Enter>.

- 3 When the Dell Diagnostics **Main Menu** appears, select the test you want to run.

Starting the Dell Diagnostics From the Drivers and Utilities CD

- 1 Insert the *Drivers and Utilities CD*.
- 2 Shut down and restart the computer.

When the DELL logo appears, press <F12> immediately.

If you wait too long and the operating system logo appears, continue to wait until you see the Microsoft Windows desktop. Then shut down your computer and try again.



NOTE: The next steps change the boot sequence for one time only. On the next start-up, the computer boots according to the devices specified in system setup.

- 3 When the boot device list appears, highlight the listing for the CD/DVD drive and press <Enter>.
- 4 Select the listing for the CD/DVD drive option from the CD boot menu.
- 5 Select the option to boot from the CD/DVD drive from the menu that appears.
- 6 Type 1 to start the *Drivers and Utilities CD* menu.
- 7 Type 2 to start the Dell Diagnostics.
- 8 Select **Run the 32 Bit Dell Diagnostics** from the numbered list. If multiple versions are listed, select the version appropriate for your computer.
- 9 When the Dell Diagnostics **Main Menu** appears, select the test you want to run.


Dell Diagnostics Main Menu

- 1 After the Dell Diagnostics loads and the **Main Menu** screen appears, click the button for the option you want.

Option	Function
Express Test	Performs a quick test of devices. This test typically takes 10 to 20 minutes and requires no interaction on your part. Run Express Test first to increase the possibility of tracing the problem quickly.
Extended Test	Performs a thorough check of devices. This test typically takes an hour or more and requires you to answer questions periodically.
Custom Test	Tests a specific device. You can customize the tests you want to run.
Symptom Tree	Lists the most common symptoms encountered and allows you to select a test based on the symptom of the problem you are having.

- 2 If a problem is encountered during a test, a message appears with an error code and a description of the problem. Write down the error code and problem description and follow the instructions on the screen.

If you cannot resolve the error condition, contact Dell. For information on contacting Dell, see your online *User's Guide*.

 **NOTE:** The Service Tag for your computer is located at the top of each test screen. If you contact Dell, technical support will ask for your Service Tag.

- 3 If you run a test from the **Custom Test** or **Symptom Tree** option, click the applicable tab described in the following table for more information.

Tab	Function
Results	Displays the results of the test and any error conditions encountered.
Errors	Displays error conditions encountered, error codes, and the problem description.
Help	Describes the test and may indicate requirements for running the test.
Configuration	Displays your hardware configuration for the selected device. The Dell Diagnostics obtains configuration information for all devices from system setup, memory, and various internal tests, and it displays the information in the device list in the left pane of the screen. The device list may not display the names of all the components installed on your computer or all devices attached to your computer.
Parameters	You can customize the test by changing the test settings.

- 4 When the tests are completed, if you are running the Dell Diagnostics from the *Drivers and Utilities* CD (optional), remove the CD.
- 5 Close the test screen to return to the **Main Menu** screen. To exit the Dell Diagnostics and restart the computer, close the **Main Menu** screen.

System Lights

Your power light may indicate a computer problem.

Power Light	Problem Description	Suggested Resolution
Solid green	Power is on, and the computer is operating normally.	No corrective action is required.
Blinking green	The computer is in a power-saving mode.	Press the power button, move the mouse, or press a key on the keyboard to wake the computer.
Blinks green several times and then turns off	A configuration error exists.	Check Diagnostic Lights to see if the specific problem is identified (see "Diagnostic Lights" on page 50).
Solid yellow	A device on the system board may be faulty or incorrectly installed or the voltage selection switch on the power supply may be set incorrectly.	Check Diagnostic Lights to see if the specific problem is identified (see "Diagnostic Lights" on page 50). See "Power Problems" in your online <i>User's Guide</i> . If the computer does not boot, contact Dell for technical assistance. For information on contacting Dell, see your online <i>User's Guide</i> .
Blinking yellow	A power supply or system board failure has occurred.	Check Diagnostic Lights to see if the specific problem is identified (see "Diagnostic Lights" on page 50). See "Power Problems" in your online <i>User's Guide</i> . If the computer does not boot, contact Dell for technical assistance. For information on contacting Dell, see your online <i>User's Guide</i> .
Solid green and a beep code during POST	A problem was detected while the BIOS was executing.	For instructions on diagnosing the beep code see "Beep Codes" on page 52. Also, check Diagnostic Lights to see if the specific problem is identified.


Power Light	Problem Description	Suggested Resolution
Solid green power light, no beep code and no video during POST	The monitor or the graphics card may be faulty or incorrectly installed.	Check Diagnostic Lights to see if the specific problem is identified.
Solid green power light and no beep code, but the computer locks up during POST	An integrated system board device may be faulty.	Check Diagnostic Lights to see if the specific problem is identified. If the problem is not identified, contact Dell for technical assistance. For information on contacting Dell, see your online <i>User's Guide</i> .




Diagnostic Lights





 **CAUTION:** Before you begin any of the procedures in this section, follow the safety instructions in the *Product Information Guide*.




To help you troubleshoot a problem, your computer has four lights labeled "1," "2," "3," and "4" on the front or back panel. The lights can be "off" or green. When the computer starts normally, the patterns or codes on the lights change as the boot process completes. If the POST portion of system boot completes successfully, all four lights display solid green for a short time, and then turn off.

If the computer malfunctions during the POST process, the pattern displayed on the LEDs may help identify where in the process the computer halted. If the computer malfunctions after a successful POST, the diagnostic lights do not indicate the cause of the problem.

 **NOTE:** The orientation of the diagnostic lights may vary depending on the system type. The diagnostic lights can be either vertically or horizontally oriented.

Light Pattern	Problem Description	Suggested Resolution
	The computer is in a normal "off" condition, or a possible pre-BIOS failure has occurred. The diagnostic lights are not lit after the computer successfully boots to the operating system.	Plug the computer into a working electrical outlet and press the power button.
	A possible BIOS failure has occurred; the computer is in recovery mode.	Run the BIOS Recovery utility, wait for recovery completion, and then restart the computer.
	A possible processor failure has occurred.	Reinstall the processor and restart the computer. For information on reinstalling the processor, see your online <i>User's Guide</i> .

Light Pattern	Problem Description	Suggested Resolution
	Memory modules are detected, but a memory failure has occurred.	<ul style="list-style-type: none"> • If you have one memory module installed, reinstall it and restart the computer. For information on reinstalling memory modules, see your online <i>User's Guide</i>. • If you have two or more memory modules installed, remove the modules, reinstall one module, and then restart the computer. If the computer starts normally, reinstall an additional module. Continue until you have identified a faulty module or reinstalled all modules without error. • If available, install properly working memory of the same type into your computer. • If the problem persists, contact Dell. For information on contacting Dell, see your online <i>User's Guide</i>.
	A possible graphics card failure has occurred.	<ul style="list-style-type: none"> • If the computer has a graphics card, remove the card, reinstall it, and then restart the computer. • If the problem still exists, install a graphics card that you know works and restart the computer. • If the problem persists or the computer has integrated graphics, contact Dell. For information on contacting Dell, see your online <i>User's Guide</i>.
	A possible floppy or hard drive failure has occurred.	Reseat all power and data cables and restart the computer.
	A possible USB failure has occurred.	Reinstall all USB devices, check cable connections, and then restart the computer.

Light Pattern	Problem Description	Suggested Resolution
	No memory modules are detected.	<ul style="list-style-type: none"> • If you have one memory module installed, reinstall it and restart the computer. For information on reinstalling memory modules, see your online <i>User's Guide</i>. • If you have two or more memory modules installed, remove the modules, reinstall one module, and then restart the computer. If the computer starts normally, reinstall an additional module. Continue until you have identified a faulty module or reinstalled all modules without error. • If available, install properly working memory of the same type into your computer. • If the problem persists, contact Dell. For information on contacting Dell, see your online <i>User's Guide</i>.
	Memory modules are detected, but a memory configuration or compatibility error exists.	<ul style="list-style-type: none"> • Ensure that no special memory module/memory connector placement requirements exist. • Verify that the memory modules that you are installing are compatible with your computer. • If the problem persists, contact Dell. For information on contacting Dell, see your online <i>User's Guide</i>.
	<p>A failure has occurred.</p> <p>This pattern also displays when you enter system setup and may not indicate a problem.</p>	<ul style="list-style-type: none"> • Ensure that the cables are properly connected to the system board from the hard drive, CD drive, and DVD drive. • Check the computer message that appears on your monitor screen. • If the problem persists, contact Dell. For information on contacting Dell, see your online <i>User's Guide</i>.

Beep Codes

Your computer might emit a series of beeps during start-up if the monitor cannot display errors or problems. This series of beeps, called a beep code, identifies a problem. One possible beep code (code 1 3-1) consists of one beep, a burst of three beeps, and then one beep. This beep code tells you that the computer encountered a memory problem.

If your computer beeps during start-up:

- 1 Write down the beep code.
- 2 See "Dell Diagnostics" on page 46 to identify a more serious cause.
- 3 Contact Dell for technical assistance. For information on contacting Dell, see your online *User's Guide*.

Code	Cause	Code	Cause
1-1-2	Microprocessor register failure	3-1-4	Slave interrupt mask register failure
1-1-3	NVRAM read/write failure	3-2-2	Interrupt vector loading failure
1-1-4	ROM BIOS checksum failure	3-2-4	Keyboard Controller test failure
1-2-1	Programmable interval timer failure	3-3-1	NVRAM power loss
1-2-2	DMA initialization failure	3-3-2	Invalid NVRAM configuration
1-2-3	DMA page register read/write failure	3-3-4	Video Memory test failure
1-3	Video Memory test failure	3-4-1	Screen initialization failure
1-3-1 through 2-4-4	Memory not being properly identified or used	3-4-2	Screen retrace failure
3-1-1	Slave DMA register failure	3-4-3	Search for video ROM failure
3-1-2	Master DMA register failure	4-2-1	No timer tick
3-1-3	Master interrupt mask register failure	4-2-2	Shutdown failure
4-2-3	Gate A20 failure	4-4-1	Serial or parallel port test failure
4-2-4	Unexpected interrupt in protected mode	4-4-2	Failure to decompress code to shadowed memory
4-3-1	Memory failure above address 0FFFFh	4-4-3	Math-coprocessor test failure
4-3-3	Timer-chip counter 2 failure	4-4-4	Cache test failure
4-3-4	Time-of-day clock stopped		

Resolving Software and Hardware Incompatibilities

If a device is either not detected during the operating system setup or is detected but incorrectly configured, you can use the Hardware Troubleshooter to resolve the incompatibility.

- 1 Click the **Start** button and click **Help and Support**.
- 2 Type `hardware troubleshooter` in the **Search** field and click the arrow to start the search.

- 3 Click **Hardware Troubleshooter** in the **Search Results** list.
- 4 In the **Hardware Troubleshooter** list, click **I need to resolve a hardware conflict on my computer**, and click **Next**.

Using Microsoft Windows XP System Restore

The Microsoft Windows XP operating system provides System Restore to allow you to return your computer to an earlier operating state (without affecting data files) if changes to the hardware, software, or other system settings have left the computer in an undesirable operating state. See the Windows Help and Support Center for information on using System Restore. To access the Windows Help and Support Center, see "Windows Help and Support Center" on page 6.



NOTICE: Make regular backups of your data files. System Restore does not monitor your data files or recover them.

Creating a Restore Point

- 1 Click the **Start** button and click **Help and Support**.
- 2 Click **System Restore**.
- 3 Follow the instructions on the screen.

Restoring the Computer to an Earlier Operating State



NOTICE: Before you restore the computer to an earlier operating state, save and close any open files and exit any open programs. Do not alter, open, or delete any files or programs until the system restoration is complete.

- 1 Click the **Start** button, point to **All Programs**→**Accessories**→**System Tools**, and then click **System Restore**.
- 2 Ensure that **Restore my computer to an earlier time** is selected, and click **Next**.
- 3 Click a calendar date to which you want to restore your computer.

The **Select a Restore Point** screen provides a calendar that allows you to see and select restore points. All calendar dates with available restore points appear in boldface type.

- 4 Select a restore point and click **Next**.

If a calendar date has only one restore point, then that restore point is automatically selected. If two or more restore points are available, click the restore point that you prefer.


- 5 Click **Next**.

The **Restoration Complete** screen appears after System Restore finishes collecting data and then the computer restarts.

- 6 After the computer restarts, click **OK**.

To change the restore point, you can either repeat the steps using a different restore point, or you can undo the restoration.

Undoing the Last System Restore

 **NOTICE:** Before you undo the last system restore, save and close all open files and exit any open programs. Do not alter, open, or delete any files or programs until the system restoration is complete.

- 1 Click the **Start** button, point to **All Programs**→**Accessories**→**System Tools**, and then click **System Restore**.
- 2 Click **Undo my last restoration** and click **Next**.
- 3 Click **Next**.

The **System Restore** screen appears and the computer restarts.

- 4 After the computer restarts, click **OK**.


Enabling System Restore

If you reinstall Windows XP with less than 200 MB of free hard-disk space available, System Restore is automatically disabled. To verify that System Restore is enabled:

- 1 Click the **Start** button and click **Control Panel**.
- 2 Click **Performance and Maintenance**.
- 3 Click **System**.
- 4 Click the **System Restore** tab.
- 5 Ensure that **Turn off System Restore** is unchecked.

Reinstalling Microsoft Windows XP


Getting Started

 **NOTE:** The procedures in this document were written for the Windows default view in Windows XP Home Edition, so the steps will differ if you set your Dell computer to the Windows Classic view or are using Windows XP Professional.


If you are considering reinstalling the Windows XP operating system to correct a problem with a newly installed driver, first try using Windows XP Device Driver Rollback.


- 1 Click the **Start** button and click **Control Panel**.
- 2 Under **Pick a Category**, click **Performance and Maintenance**.
- 3 Click **System**.
- 4 In the **System Properties** window, click the **Hardware** tab.
- 5 Click **Device Manager**.
- 6 Right-click the device for which the new driver was installed and click **Properties**.
- 7 Click the **Drivers** tab.
- 8 Click **Roll Back Driver**.

If Device Driver Rollback does not resolve the problem, then use System Restore to return your operating system to the operating state it was in before you installed the new device driver (see "Using Microsoft Windows XP System Restore" on page 54).

 **NOTE:** The *Drivers and Utilities* CD contains drivers that were installed during assembly of the computer. Use the *Drivers and Utilities* CD to load any required drivers, including the drivers required if your computer has a RAID controller.

Reinstalling Windows XP

 **NOTICE:** You must use Windows XP Service Pack 1 or later when you reinstall Windows XP.


 **NOTICE:** Before performing the installation, back up all data files on your primary hard drive. For conventional hard drive configurations, the primary hard drive is the first drive detected by the computer.


To reinstall Windows XP, you need the following items:

- Dell *Operating System* CD
- Dell *Drivers and Utilities* CD

To reinstall Windows XP, perform all the steps in the following sections in the order in which they are listed.

The reinstallation process can take 1 to 2 hours to complete. After you reinstall the operating system, you must also reinstall the device drivers, virus protection program, and other software.

 **NOTICE:** The *Operating System* CD provides options for reinstalling Windows XP. The options can overwrite files and possibly affect programs installed on your hard drive. Therefore, do not reinstall Windows XP unless a Dell technical support representative instructs you to do so.

 **NOTICE:** To prevent conflicts with Windows XP, disable any virus protection software installed on your computer before you reinstall Windows XP. See the documentation that came with the software for instructions.

Booting From the Operating System CD

- 1 Save and close any open files and exit any open programs.
- 2 Insert the *Operating System* CD. Click **Exit** if the **Install Windows XP** message appears.
- 3 Restart the computer.
- 4 Press <F12> immediately after the **DELL** logo appears.

If the operating system logo appears, wait until you see the Windows desktop, and then shut down the computer and try again.

- 5 Press the arrow keys to select **CD-ROM**, and press <Enter>.
- 6 When the **Press any key to boot from CD** message appears, press any key.

Windows XP Setup

- 1 When the **Windows XP Setup** screen appears, press <Enter> to select **To set up Windows now**.
- 2 Read the information on the **Microsoft Windows Licensing Agreement** screen, and press <F8> to accept the license agreement.
- 3 If your computer already has Windows XP installed and you want to recover your current Windows XP data, type **r** to select the repair option, and remove the CD.
- 4 If you want to install a new copy of Windows XP, press <Esc> to select that option.
- 5 Press <Enter> to select the highlighted partition (recommended), and follow the instructions on the screen.

The **Windows XP Setup** screen appears, and the operating system begins to copy files and install the devices. The computer automatically restarts multiple times.



NOTE: The time required to complete the setup depends on the size of the hard drive and the speed of your computer.



NOTICE: Do not press any key when the following message appears: **Press any key to boot from the CD.**

- 6 When the **Regional and Language Options** screen appears, select the settings for your location and click **Next**.
- 7 Enter your name and organization (optional) in the **Personalize Your Software** screen, and click **Next**.
- 8 At the **Computer Name and Administrator Password** window, enter a name for your computer (or accept the one provided) and a password, and click **Next**.
- 9 If the **Modem Dialing Information** screen appears, enter the requested information and click **Next**.
- 10 Enter the date, time, and time zone in the **Date and Time Settings** window, and click **Next**.
- 11 If the **Networking Settings** screen appears, click **Typical** and click **Next**.
- 12 If you are reinstalling Windows XP Professional and you are prompted to provide further information regarding your network configuration, enter your selections. If you are unsure of your settings, accept the default selections.


Windows XP installs the operating system components and configures the computer. The computer automatically restarts.



NOTICE: Do not press any key when the following message appears: **Press any key to boot from the CD.**


- 13 When the **Welcome to Microsoft** screen appears, click **Next**.
- 14 When the **How will this computer connect to the Internet?** message appears, click **Skip**.
- 15 When the **Ready to register with Microsoft?** screen appears, select **No, not at this time** and click **Next**.
- 16 When the **Who will use this computer?** screen appears, you can enter up to five users.
- 17 Click **Next**.

- 18 Click **Finish** to complete the setup, and remove the CD.
- 19 Reinstall the appropriate drivers with the *Drivers and Utilities* CD.
- 20 Reinstall your virus protection software.
- 21 Reinstall your programs.

 **NOTE:** To reinstall and activate your Microsoft Office or Microsoft Works Suite programs, you need the Product Key number located on the back of the Microsoft Office or Microsoft Works Suite CD sleeve.

Using the Drivers and Utilities CD

To use the *Drivers and Utilities* CD (*ResourceCD*) while you are running the Windows operating system.

 **NOTE:** To access device drivers and user documentation, you must use the *Drivers and Utilities* CD while you are running Windows.

- 1 Turn on the computer and allow it to boot to the Windows desktop.
- 2 Insert the *Drivers and Utilities* CD into the CD drive.

If you are using the *Drivers and Utilities* CD for the first time on this computer, the **ResourceCD Installation** window opens to inform you that the *Drivers and Utilities* CD is about to begin installation.

- 3 Click **OK** to continue.

To complete the installation, respond to the prompts offered by the installation program.

- 4 Click **Next** at the **Welcome Dell System Owner** screen.

Select the appropriate **System Model**, **Operating System**, **Device Type**, and **Topic**.

Drivers for Your Computer

To display a list of device drivers for your computer:

- 1 Click **My Drivers** in the **Topic** drop-down menu.

The *Drivers and Utilities* CD (optional) scans your computer's hardware and operating system, and then a list of device drivers for your system configuration is displayed on the screen.

- 2 Click the appropriate driver and follow the instructions to download the driver to your computer.

To view all available drivers for your computer, click **Drivers** from the **Topic** drop-down menu.

Index

B

beep codes, 52

C

CDs

operating system, 6

conflicts

software and hardware
incompatibilities, 53

cover

removing, 24

D

Dell Diagnostics, 46

Dell support site, 7

diagnostics

beep codes, 52

Dell Diagnostics, 46

documentation

End User License
Agreement, 6

ergonomics, 6

online, 7

Product Information Guide, 6

regulatory, 6

safety, 6

User's Guide, 5

warranty, 6

drivers

list of, 58

Drivers and Utilities CD, 5

E

End User License

Agreement, 6

ergonomics information, 6

error messages

beep codes, 52

diagnostic lights, 50

system lights, 49

H

hardware

beep codes, 52

conflicts, 53

Dell Diagnostics, 46

Hardware Troubleshooter, 53

Help and Support Center, 6

help file

Windows Help and Support
Center, 6

I

installing parts

before you begin, 25

IRQ conflicts, 53

L

labels

Microsoft Windows, 7

Service Tag, 7

lights

diagnostic, 50

power, 14, 18

system, 49

M

motherboard. *See* system
board

O

operating system

reinstalling, 6

reinstalling Windows XP, 55

Operating System CD, 6

P

power

light, 14, 18

power light

diagnosing problems with, 49

problems. *See troubleshooting*

Product Information Guide, 6

R

regulatory information, 6

reinstalling

Windows XP, 55

S

safety instructions, 6

Service Tag, 7

software

conflicts, 53

support website, 7

system board, 33, 36, 42

System Restore, 54

T

troubleshooting

beep codes, 52

conflicts, 53

Dell Diagnostics, 46

diagnostic lights, 50

Hardware Troubleshooter, 53

Help and Support Center, 6

restore computer to previous
operating state, 54

system lights, 49

U

User's Guide, 5

W

warranty information, 6

Windows XP

Hardware Troubleshooter, 53

Help and Support Center, 6

reinstalling, 6, 55

setup, 57

System Restore, 54

Dell™ OptiPlex™ 745

Guide de référence rapide

Modèles DCTR, DCNE, DCSM et DCCY

www.dell.com | support.dell.com

Remarques, avis et précautions



REMARQUE : Une REMARQUE fournit des informations importantes qui vous aident à mieux utiliser votre ordinateur.



AVIS : Un AVIS vous avertit d'un risque de dommage matériel ou de perte de données et vous indique comment éviter le problème.



PRÉCAUTION : Une PRÉCAUTION indique un danger d'endommagement du matériel, de blessure personnelle, ou de mort.

Si vous avez acheté un ordinateur Dell™ série n, les références du présent document concernant les systèmes d'exploitation Microsoft® Windows® ne sont pas applicables.

Les informations de ce document sont sujettes à modifications sans préavis.

© 2006 Dell Inc. Tous droits réservés.

La reproduction de ce document, de quelque manière que ce soit, sans l'autorisation écrite de Dell Inc. est strictement interdite.

Marques utilisées dans ce document : *Dell*, le logo *DELL*, *Inspiron*, *Dell Precision*, *Dimension*, *OptiPlex*, *Latitude*, *PowerEdge*, *PowerVault*, *PowerApp* et *Dell OpenManage* sont des marques de Dell Inc. ; *Intel*, *Pentium*, et *Celeron* sont des marques déposées d'Intel Corporation ; *Microsoft* et *Windows* sont des marques déposées de Microsoft Corporation.

D'autres marques et noms commerciaux peuvent être utilisés dans ce document pour faire référence aux entités se réclamant de ces marques et de ces noms ou à leurs produits. Dell Inc. rejette tout intérêt propriétaire dans les marques et les noms commerciaux autres que les siens.

Modèles DCTR, DCNE, DCSM et DCCY

Août 2006

Réf. KH287

Rév. A00

Table des matières

Recherche d'informations	65
Vues du système	68
Ordinateur mini-tour — Vue frontale	68
Ordinateur mini-tour — Vue arrière	70
Ordinateur mini-tour — Connecteurs du panneau arrière	71
Ordinateur de bureau — Vue frontale	73
Ordinateur de bureau — Vue arrière	74
Ordinateur de bureau — Connecteurs du panneau arrière	75
Ordinateur compact — Vue frontale	77
Ordinateur compact — Vue arrière	78
Ordinateur compact — Connecteurs du panneau arrière	79
Ordinateur ultra compact — Vue frontale	81
Ordinateur ultra compact — Vue latérale	82
Ordinateur ultra compact — Vue arrière	83
Ordinateur ultra compact — Connecteurs du panneau arrière	83
Retrait du capot de l'ordinateur	84
Avant de commencer	85
Ordinateur mini-tour	86
Ordinateur de bureau	87
Ordinateur compact	88
Ordinateur ultra compact	90
L'intérieur de votre ordinateur	92
Ordinateur mini-tour	92
Ordinateur de bureau	95
Ordinateur compact	98
Ordinateur ultra compact	101
Configuration de votre ordinateur	103
Installation du clavier et de la souris	105
Installation du moniteur	105
Connexions d'alimentation	106
Résolution des problèmes	106
Dell Diagnostics	106
Voyants du système	109

Voyants de diagnostic	110
Codes sonores	112
Résolution des incompatibilités logicielles et matérielles	113
Utilisation de la fonction Restauration du système Microsoft Windows XP	114
Réinstallation de Microsoft Windows XP	115
Utilisation du CD Drivers and Utilities.	118
Pilotes pour votre ordinateur	118
 Index	 119

Recherche d'informations

REMARQUE : Certaines fonctionnalités ou supports peuvent être optionnels et ne pas accompagner votre ordinateur. Certaines fonctionnalités ou supports peuvent ne pas être disponibles dans certains pays.

REMARQUE : Il est possible que des informations supplémentaires soient fournies avec votre ordinateur.

Que recherchez-vous ?	Cherchez ici
<ul style="list-style-type: none"> • Programme de diagnostic pour mon ordinateur • Pilotes pour mon ordinateur • Documentation de mon ordinateur • Documentation concernant mon périphérique • Logiciel DSS (Desktop System Software) 	<p>CD Drivers and Utilities (CD ResourceCD)</p> <p>REMARQUE : Il se peut que le CD <i>Drivers and Utilities</i> (Pilotes et utilitaires) soit en option et qu'il ne soit pas fourni avec votre ordinateur.</p> <p>La documentation et les pilotes sont déjà installés sur l'ordinateur. Vous pouvez utiliser le CD pour réinstaller les pilotes (reportez-vous à la section « Utilisation du CD Drivers and Utilities » à la page 118), exécuter Dell Diagnostics (reportez-vous à la section « Dell Diagnostics » à la page 106) ou accéder à votre documentation.</p> <div data-bbox="664 864 928 1137" data-label="Image"> </div> <p>Des fichiers « Lisez-moi » peuvent être inclus sur votre CD afin de fournir des informations de dernière minute concernant des modifications techniques apportées à votre système ou des informations de référence destinées aux techniciens ou aux utilisateurs expérimentés.</p> <p>REMARQUE : Les dernières mises à jour des pilotes et de la documentation se trouvent à l'adresse support.dell.com.</p>
<ul style="list-style-type: none"> • Comment retirer et remplacer des pièces • Caractéristiques • Comment configurer les paramètres du système • Comment déterminer et résoudre des problèmes 	<p>Guide d'utilisation du Dell™ OptiPlex™</p> <p>Centre d'aide et de support Microsoft Windows XP</p> <ol style="list-style-type: none"> 1 Cliquez sur Démarrer → Aide et Support → Guides d'utilisation du système → Guides du système. 2 Cliquez sur le Guide d'utilisation de votre ordinateur. <p>Le Guide d'utilisation est également disponible sur le CD <i>Drivers and Utilities</i> en option.</p>

Que recherchez-vous ?

- Informations sur les garanties
- Termes et Conditions (États-Unis uniquement)
- Consignes de sécurité
- Informations sur les réglementations
- Informations relatives à l'ergonomie
- Contrat de licence pour utilisateur final

Cherchez ici

Guide d'information sur le produit Dell™



-
- Comment réinstaller mon système d'exploitation

CD Operating System

REMARQUE : Il se peut que le CD *Operating System* soit en option et qu'il ne soit pas livré avec tous les ordinateurs.

Le système d'exploitation est déjà installé sur votre ordinateur. Pour réinstaller le système d'exploitation, utilisez le CD *Operating System* (reportez-vous à la section « Réinstallation de Microsoft Windows XP » à la page 115).



Après avoir réinstallé le système d'exploitation, utilisez le CD en option *Drivers and Utilities (CD ResourceCD)* pour réinstaller les pilotes des périphériques fournis avec votre ordinateur. Pour de plus amples informations, reportez-vous à la section « CD Drivers and Utilities (CD ResourceCD) » à la page 65.

L'étiquette de la Product key (clé de produit) de votre système d'exploitation se trouve sur l'ordinateur (reportez-vous à la section « Numéro de service et Product Key (Clé de produit) Microsoft® Windows® » à la page 67).

REMARQUE : La couleur de votre CD *Operating System* dépend du système d'exploitation que vous avez commandé.

-
- Comment utiliser Windows XP
 - Comment utiliser des programmes et des fichiers
 - Comment personnaliser mon bureau

Centre d'aide et de support de Windows

- 1 Cliquez sur **Démarrer** → **Aide et support**.
- 2 Entrez un mot ou une expression qui décrit votre problème, puis cliquez sur l'icône en forme de flèche.
- 3 Cliquez sur la rubrique qui décrit votre problème.
- 4 Suivez les instructions qui s'affichent.

Que recherchez-vous ?

- Numéro de service et code de service express
- Étiquette de la Product Key (Clé de produit) Microsoft Windows

Cherchez ici

Numéro de service et Product Key (Clé de produit) Microsoft® Windows®

Ces étiquettes sont apposées à l'ordinateur.

- Utilisez le numéro de service pour identifier votre ordinateur lorsque vous accédez au site Web support.dell.com ou lorsque vous contactez le service de support.
- Entrez le code de service express pour orienter votre appel lorsque vous contactez le service de support.



- Solutions — Conseils et astuces de dépannage, articles de techniciens, cours en ligne et questions fréquemment posées
- Forum clients — Discussion en ligne avec d'autres clients Dell
- Mises à niveau — Informations sur les mises à niveau des composants, comme la mémoire, l'unité de disque dur et le système d'exploitation
- Service clientèle — Coordonnées, appels de service et état des commandes, garantie et informations sur les réparations
- Service et support — État des appels de service, historique du support, contrat de service et discussions en ligne avec le support
- Référence — Documentation de l'ordinateur, détails sur la configuration de l'ordinateur, caractéristiques de produit et livres blancs
- Téléchargements — Pilotes, correctifs et mises à jour logicielles agréés
- DSS (Desktop System Software - Logiciel système de bureau) — Si vous réinstallez le système d'exploitation de votre ordinateur, vous devez également réinstaller l'utilitaire DSS. DSS détecte automatiquement votre ordinateur et son système d'exploitation, et installe les mises à jour appropriées à votre configuration. Il fournit également des mises à jour essentielles pour votre système d'exploitation et la prise en charge des lecteurs de disquette USB Dell™ de 3,5 pouces, des processeurs Intel®, des lecteurs optiques et des périphériques USB. DSS est requis pour le bon fonctionnement de votre ordinateur Dell.

Site Web du service de support de Dell — support.dell.com

REMARQUE : Sélectionnez votre région ou votre secteur d'activité pour afficher le site de support approprié.

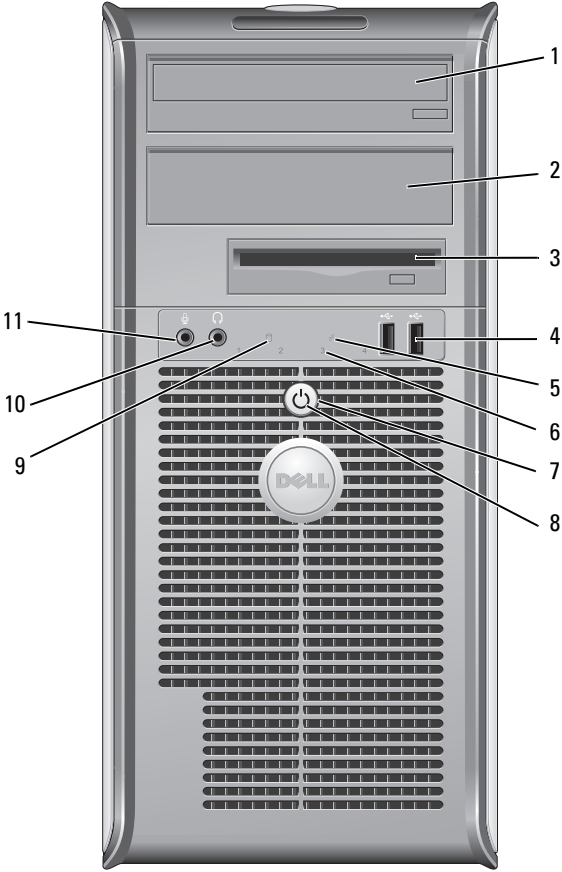
Pour télécharger DSS (Desktop System Software) :

- 1 Rendez-vous sur support.dell.com, sélectionnez votre région ou votre secteur d'activité, puis entrez votre numéro de service.
- 2 Sélectionnez **Drivers & Downloads** (Pilotes et téléchargements) et cliquez sur **Go/OK**.
- 3 Cliquez sur votre système d'exploitation, puis recherchez le mot-clé *Desktop System Software*.

REMARQUE : L'interface utilisateur support.dell.com peut varier selon vos sélections.


Vues du système


Ordinateur mini-tour — Vue frontale



- | | | |
|---|--------------------------------------------|----------------------------------------------------------------------------------------------------------------------------------------------------------------------------------------------------------------------------------------------------------------------------------------------------------------------------------------------------------------------------------------------------------------------------------------------------------------------------------------------------------------------------------------------------------------------------------------------------------------------------------------------------------------------------------------------------------------------------------------------------------------------------------------------------------------------------------------------------------------------------------------------------------------------------------------------------------------------------------------------------------------------------------------------------|
| 1 | baie d'unité de 5,25 pouces | Peut contenir un lecteur optique. Permet d'insérer un CD ou un DVD (si cela est pris en charge). |
| 2 | baie d'unité de 5,25 pouces | Peut contenir un lecteur optique. Permet d'insérer un CD ou un DVD (si cela est pris en charge). |
| 3 | baie d'unité de 3,5 pouces | Peut contenir un lecteur de disquette optionnel ou un lecteur de carte multimédia optionnel. |
| 4 | connecteurs USB 2.0 (2) | Utilisez les connecteurs USB, situés à l'avant, pour connecter les périphériques dont vous ne vous servez qu'occasionnellement, tels qu'une manette de jeu ou une caméra, ou des périphériques USB amorçables (reportez-vous au <i>Guide d'utilisation</i> pour de plus amples informations sur l'amorçage à partir d'un périphérique USB).

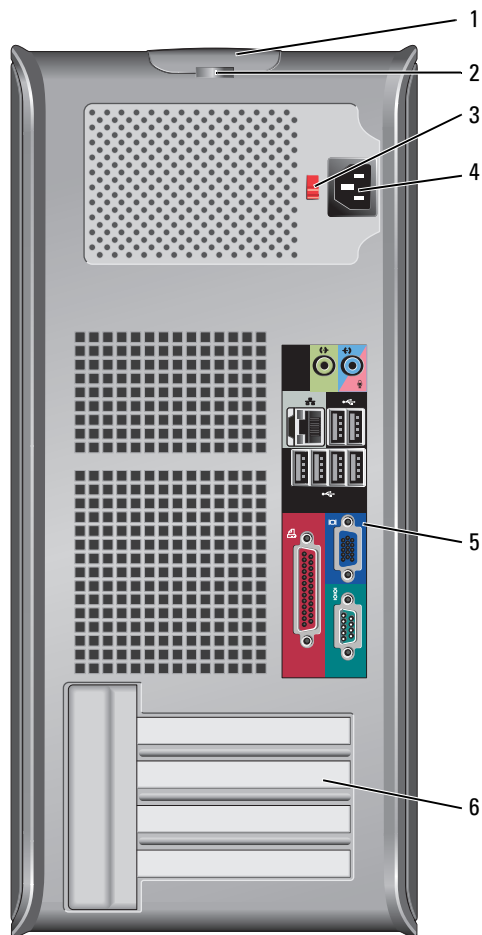
Il est recommandé d'utiliser les connecteurs USB situés à l'arrière pour les périphériques connectés en permanence, comme l'imprimante et le clavier. |
| 5 | voyant LAN | Ce voyant indique qu'une connexion LAN (réseau local) est établie. |
| 6 | voyants de diagnostic | Ces voyants vous aident à résoudre les problèmes informatiques d'après le code de diagnostic. Pour de plus amples informations, reportez-vous à la section « Voyants de diagnostic » à la page 110. |
| 7 | bouton d'alimentation | Appuyez sur ce bouton pour allumer l'ordinateur.

 AVIS : Pour ne pas perdre de données, n'éteignez pas l'ordinateur en appuyant sur le bouton d'alimentation. Procédez plutôt à un arrêt du système d'exploitation. Pour de plus amples informations, reportez-vous à la section « Avant de commencer » à la page 85.

 AVIS : Si la fonctionnalité ACPI est activée sur votre système d'exploitation, lorsque vous appuyez sur le bouton d'alimentation, l'ordinateur procède à un arrêt du système d'exploitation. |
| 8 | voyant d'alimentation | Le voyant d'alimentation s'allume et clignote ou reste fixe, selon le mode de fonctionnement : <ul style="list-style-type: none"> • Éteint — L'ordinateur est éteint. • Vert fixe — L'ordinateur fonctionne normalement. • Vert clignotant — L'ordinateur est en mode d'économie d'énergie. • Orange clignotant ou fixe — Reportez-vous au <i>Guide d'utilisation</i> en ligne. <p>Pour quitter le mode d'économie d'énergie, appuyez sur le bouton d'alimentation ou utilisez le clavier ou la souris si ce périphérique est configuré comme un périphérique de réveil dans le Gestionnaire de périphériques Windows. Pour plus d'informations sur les modes de mise en veille et sur la façon de quitter un mode d'économie d'énergie, reportez-vous au <i>Guide d'utilisation</i> en ligne.</p> <p>Pour obtenir une description des codes lumineux pouvant vous aider à résoudre les problèmes rencontrés avec votre ordinateur, reportez-vous à la section « Voyants du système » à la page 109.</p> |
| 9 | voyant d'activité de l'unité de disque dur | Ce voyant clignote rapidement lors de l'accès au disque dur. |

- 10 connecteur de casque Permet de connecter le casque et les haut-parleurs.
- 11 connecteur microphone Utilisez le connecteur microphone pour brancher un microphone.

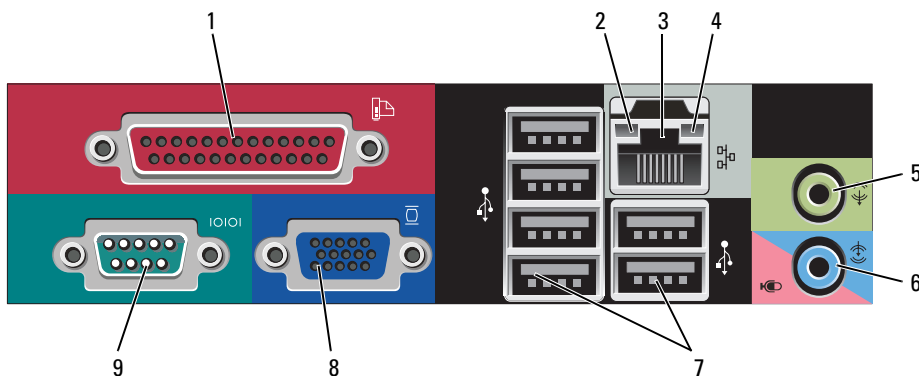
Ordinateur mini-tour — Vue arrière



- 1 loquet de fermeture du capot Ce loquet permet d'ouvrir le capot de l'ordinateur.
- 2 anneau pour cadenas Insérez un cadenas pour verrouiller le capot de l'ordinateur.

- 3 sélecteur de tension Votre ordinateur est équipé d'un sélecteur de tension manuel.
Si vous utilisez un sélecteur de tension manuel, réglez le sélecteur sur la tension la plus proche de l'alimentation en CA de votre région afin d'éviter d'endommager l'ordinateur.
- ➔ **AVIS** : Au Japon, le sélecteur de tension doit être réglé sur 115 V bien que l'alimentation en CA soit de 100 V.
- Assurez-vous également que votre moniteur et tous ses périphériques sont électriquement réglés pour fonctionner avec la puissance en CA disponible dans votre zone géographique.
- 4 connecteur d'alimentation Insérez le câble d'alimentation.
- 5 connecteurs du panneau arrière Branchez les périphériques série, USB et tout autre périphérique dans les connecteurs appropriés (reportez-vous à la section « Ordinateur mini-tour — Connecteurs du panneau arrière » à la page 71).
- 6 logements de carte Permettent d'accéder aux connecteurs de toutes les cartes PCI et PCI Express installées.

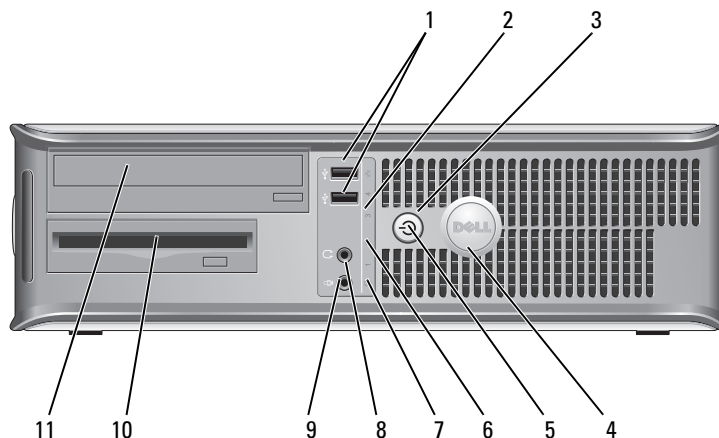
Ordinateur mini-tour — Connecteurs du panneau arrière



- 1 connecteur parallèle Permet de connecter un périphérique parallèle, tel qu'une imprimante. Si vous avez une imprimante USB, raccordez-la à un connecteur USB.
- REMARQUE** : Le connecteur parallèle intégré est automatiquement désactivé si l'ordinateur détecte une carte installée contenant un connecteur parallèle configuré sur la même adresse. Pour plus d'informations, reportez-vous au Guide d'utilisation en ligne.
- 2 voyant d'intégrité de la liaison
- Vert — Une bonne connexion est établie entre le réseau 10 Mb/s et l'ordinateur.
 - Orange — Une bonne connexion est établie entre le réseau 100 Mb/s et l'ordinateur.
 - Jaune — Une bonne connexion est établie entre le réseau 1 Gb/s (ou 1000 Mb/s) et l'ordinateur.
 - Éteint — L'ordinateur ne détecte pas de connexion physique au réseau.

- 3 connecteur de carte réseau Pour connecter l'ordinateur à un périphérique réseau ou large bande, branchez l'une des extrémités d'un câble réseau à une prise réseau, un périphérique réseau ou un périphérique large bande. Connectez l'autre extrémité du câble au connecteur de carte réseau situé sur le panneau arrière de votre ordinateur. Un déclic indique que le câble de réseau a été correctement installé.
- REMARQUE :** Ne branchez pas un câble téléphonique au connecteur réseau.
- Sur les ordinateurs équipés d'une carte réseau, utilisez le connecteur situé sur la carte.
- Il est recommandé d'utiliser un câblage et des connecteurs de catégorie 5 pour le réseau. Si vous devez utiliser un câblage de catégorie 3, forcez la vitesse réseau à 10 Mb/s pour garantir un fonctionnement fiable.
- 4 voyant d'activité réseau Un voyant jaune clignote lorsque l'ordinateur transmet ou reçoit des données sur le réseau. Un trafic réseau important peut donner l'impression que ce voyant est fixe.
- 5 connecteur ligne de sortie Utilisez le connecteur ligne de sortie vert pour raccorder la plupart des haut-parleurs dotés d'amplificateurs intégrés.
- 6 connecteur ligne d'entrée/microphone Utilisez le connecteur ligne d'entrée/microphone rose pour raccorder un appareil d'enregistrement/de lecture, tel qu'un lecteur de cassette, un lecteur de CD ou un magnéto-scope ; ou un microphone d'ordinateur personnel destiné à une entrée vocale ou musicale dans un programme sonore ou de téléphonie.
- 7 connecteurs USB 2.0 (6) Utilisez les connecteurs USB situés à l'arrière pour les périphériques connectés en permanence, comme l'imprimante et le clavier.
- 8 connecteur vidéo Branchez le câble du moniteur compatible VGA dans le connecteur bleu.
- REMARQUE :** Si vous avez acheté une carte graphique optionnelle, ce connecteur sera recouvert d'un cache. Connectez votre moniteur au connecteur sur la carte graphique. Ne retirez pas le cache.
- REMARQUE :** Si vous utilisez une carte graphique capable de gérer deux moniteurs, utilisez le câble Y fourni avec l'ordinateur.
- 9 connecteur série Connectez un périphérique série, tel qu'un PDA, au port série. Les désignations par défaut sont COM1 pour le connecteur série 1 et COM2 pour le connecteur série 2.
- Pour plus d'informations, reportez-vous au *Guide d'utilisation* en ligne.

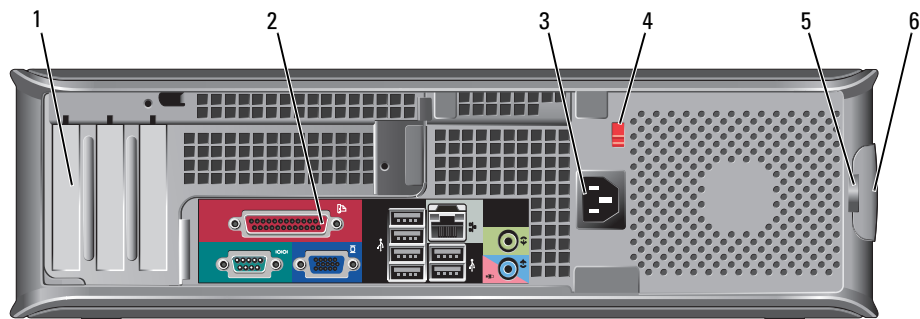
Ordinateur de bureau — Vue frontale



- 1 connecteurs USB 2.0 (2) Utilisez les connecteurs USB, situés à l'avant, pour connecter les périphériques dont vous ne vous servez qu'occasionnellement, tels qu'une manette de jeu ou une caméra, ou des périphériques USB amovibles (reportez-vous au *Guide d'utilisation* pour de plus amples informations sur l'amorçage à partir d'un périphérique USB).
Il est recommandé d'utiliser les connecteurs USB situés à l'arrière pour les périphériques connectés en permanence, comme l'imprimante et le clavier.
- 2 voyant LAN Ce voyant indique qu'une connexion LAN (réseau local) est établie.
- 3 bouton d'alimentation Appuyez sur ce bouton pour allumer l'ordinateur.
- ➔ **AVIS :** Pour ne pas perdre de données, n'éteignez pas l'ordinateur en appuyant sur le bouton d'alimentation. Procédez plutôt à un arrêt du système d'exploitation. Pour de plus amples informations, reportez-vous à la section « Avant de commencer » à la page 85.
- ➔ **AVIS :** Si la fonctionnalité ACPI est activée sur votre système d'exploitation, lorsque vous appuyez sur le bouton d'alimentation, l'ordinateur procède à un arrêt du système d'exploitation.
- 4 badge Dell Vous pouvez faire pivoter ce badge pour l'aligner sur l'orientation de votre ordinateur. Pour le faire tourner, placez vos doigts sur l'extérieur du badge, appuyez fermement et faites tourner le badge. Vous pouvez également le faire pivoter à l'aide de l'encoche située vers le bas du badge.

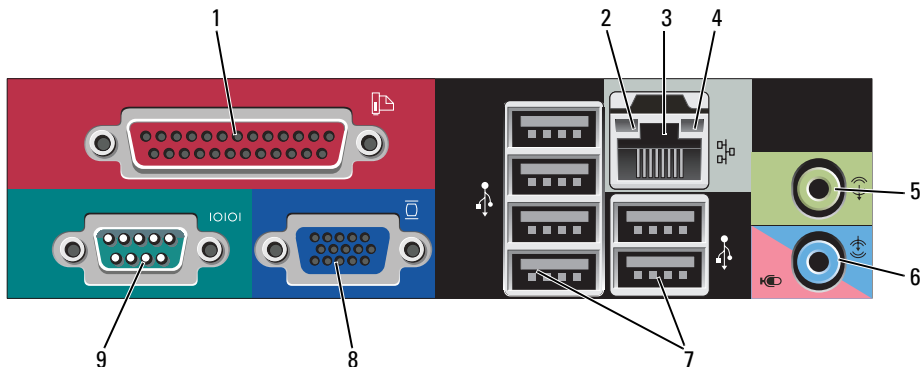
- 5 voyant d'alimentation Le voyant d'alimentation s'allume et clignote ou reste fixe, selon l'état de fonctionnement :
- Éteint — L'ordinateur est éteint.
 - Vert fixe — L'ordinateur fonctionne normalement.
 - Vert clignotant — L'ordinateur est en mode d'économie d'énergie.
 - Orange clignotant ou fixe — Reportez-vous à votre *Guide d'utilisation* en ligne.
- Pour quitter le mode d'économie d'énergie, appuyez sur le bouton d'alimentation ou utilisez le clavier ou la souris si ce périphérique est configuré comme un périphérique de réveil dans le Gestionnaire de périphériques Windows. Pour plus d'informations sur les modes de mise en veille et sur la façon de quitter un mode d'économie d'énergie, reportez-vous au *Guide d'utilisation* en ligne.
- Pour obtenir une description des codes lumineux pouvant vous aider à résoudre les problèmes rencontrés avec votre ordinateur, reportez-vous à la section « Voyants du système » à la page 109.
- 6 voyants de diagnostic Ces voyants vous aident à résoudre les problèmes informatiques d'après le code de diagnostic. Pour plus d'informations, reportez-vous à la section « Voyants de diagnostic » à la page 110.
- 7 voyant d'activité de l'unité de disque dur Ce voyant clignote rapidement lors de l'accès au disque dur.
- 8 connecteur de casque Permet de connecter le casque et les haut-parleurs.
- 9 connecteur microphone Utilisez le connecteur microphone pour brancher un microphone.
- 10 baie d'unité de 3,5 pouces Peut contenir un lecteur de disquette optionnel ou un lecteur de carte multimédia optionnel.
- 11 baie d'unité de 5,25 pouces Peut contenir un lecteur optique. Permet d'insérer un CD ou un DVD (si cela est pris en charge).

Ordinateur de bureau — Vue arrière



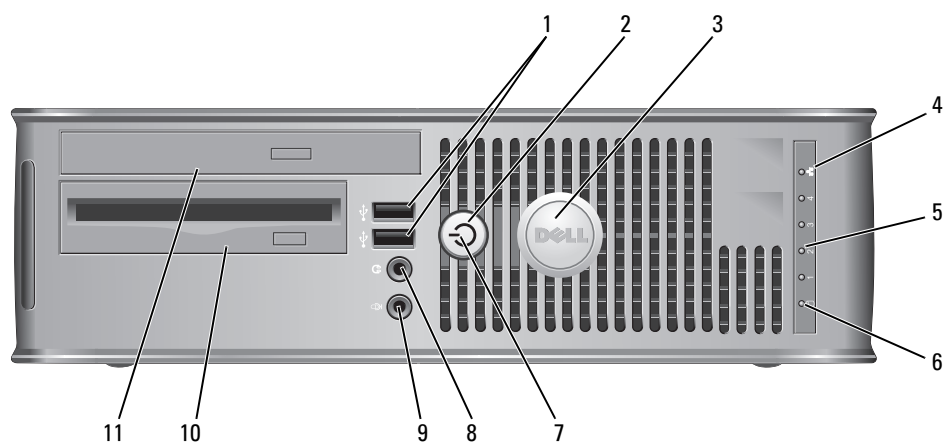
- | | | |
|---|--------------------------------|----------------------------------------------------------------------------------------------------------------------------------------------------------------------------------------------------------------------------------------------------------------------------------------------------------------------------------------------------------------------------------------------------------------------------------------------------------------------------------------------------------------------------------------------------------------------------------------------------|
| 1 | logements de carte | Permettent d'accéder aux connecteurs de toutes les cartes PCI et PCI Express installées. |
| 2 | connecteurs du panneau arrière | Branchez les périphériques série, USB et tout autre périphérique dans les connecteurs appropriés (reportez-vous à la section « Ordinateur de bureau — Connecteurs du panneau arrière » à la page 75). |
| 3 | connecteur d'alimentation | Insérez le câble d'alimentation. |
| 4 | sélecteur de tension | <p>Votre ordinateur est équipé d'un sélecteur de tension manuel.</p> <p>Pour ne pas endommager un ordinateur doté d'un sélecteur de tension manuel, réglez le commutateur sur la tension qui correspond le mieux à l'alimentation en CA de l'endroit où vous trouvez :</p> <p>➔ AVIS : Au Japon, le sélecteur de tension doit être réglé sur 115 V bien que l'alimentation en CA soit de 100 V.</p> <p>Assurez-vous également que votre moniteur et tous ses périphériques sont électriquement réglés pour fonctionner avec la puissance en CA disponible dans votre zone géographique.</p> |
| 5 | anneau pour cadenas | Insérez un cadenas pour verrouiller le capot de l'ordinateur. |
| 6 | loquet de fermeture du capot | Permet d'ouvrir le capot de l'ordinateur. |

Ordinateur de bureau — Connecteurs du panneau arrière



- 1 connecteur parallèle Permet de connecter un périphérique parallèle, tel qu'une imprimante. Si vous avez une imprimante USB, raccordez-la à un connecteur USB.
REMARQUE : Le connecteur parallèle intégré est automatiquement désactivé si l'ordinateur détecte une carte installée contenant un connecteur parallèle configuré sur la même adresse. Pour plus d'informations, reportez-vous au *Guide d'utilisation* en ligne.
- 2 voyant d'intégrité de la liaison
- Vert — Une bonne connexion est établie entre le réseau 10 Mb/s et l'ordinateur.
 - Orange — Une bonne connexion est établie entre le réseau 100 Mb/s et l'ordinateur.
 - Jaune — Une bonne connexion est établie entre le réseau 1 Gb/s (ou 1000 Mb/s) et l'ordinateur.
 - Éteint — L'ordinateur ne détecte pas de connexion physique au réseau.
- 3 connecteur de carte réseau Pour connecter l'ordinateur à un périphérique réseau ou large bande, branchez l'une des extrémités d'un câble réseau à une prise réseau, un périphérique réseau ou un périphérique large bande. Connectez l'autre extrémité du câble au connecteur de carte réseau situé sur le panneau arrière de votre ordinateur. Un dé clic indique que le câble de réseau a été correctement installé.
REMARQUE : Ne branchez pas un câble téléphonique au connecteur réseau.
Sur les ordinateurs équipés d'une carte réseau, utilisez le connecteur situé sur la carte.
Il est recommandé d'utiliser un câblage et des connecteurs de catégorie 5 pour le réseau. Si vous devez utiliser un câblage de catégorie 3, forcez la vitesse réseau à 10 Mb/s pour garantir un fonctionnement fiable.
- 4 voyant d'activité réseau Un voyant jaune clignote lorsque l'ordinateur transmet ou reçoit des données sur le réseau. Un trafic réseau important peut donner l'impression que ce voyant est fixe.
- 5 connecteur ligne de sortie Utilisez le connecteur ligne de sortie vert pour raccorder la plupart des haut-parleurs dotés d'amplificateurs intégrés.
- 6 connecteur ligne d'entrée/microphone Utilisez le connecteur ligne d'entrée/microphone rose pour raccorder un appareil d'enregistrement/de lecture, tel qu'un lecteur de cassette, un lecteur de CD ou un magnétoscope ; ou un microphone d'ordinateur personnel destiné à une entrée vocale ou musicale dans un programme sonore ou de téléphonie.
- 7 connecteurs USB 2.0 (6) Utilisez les connecteurs USB situés à l'arrière pour les périphériques connectés en permanence, comme l'imprimante et le clavier.
- 8 connecteur vidéo Branchez le câble du moniteur compatible VGA dans le connecteur bleu.
REMARQUE : Si vous avez acheté une carte graphique optionnelle, ce connecteur sera recouvert d'un cache. Connectez votre moniteur au connecteur sur la carte graphique. Ne retirez pas le cache.
REMARQUE : Si vous utilisez une carte graphique capable de gérer deux moniteurs, utilisez le câble Y fourni avec l'ordinateur.
- 9 connecteur série Connectez un périphérique série, tel qu'un PDA, au port série. Les désignations par défaut sont COM1 pour le connecteur série 1 et COM2 pour le connecteur série 2.
Pour plus d'informations, reportez-vous au *Guide d'utilisation* en ligne.

Ordinateur compact — Vue frontale



- 1 connecteurs USB 2.0 (2) Utilisez les connecteurs USB, situés à l'avant, pour connecter les périphériques dont vous ne vous servez qu'occasionnellement, tels qu'une manette de jeu ou une caméra, ou des périphériques USB amorçables (reportez-vous au *Guide d'utilisation* pour de plus amples informations sur l'amorçage à partir d'un périphérique USB).

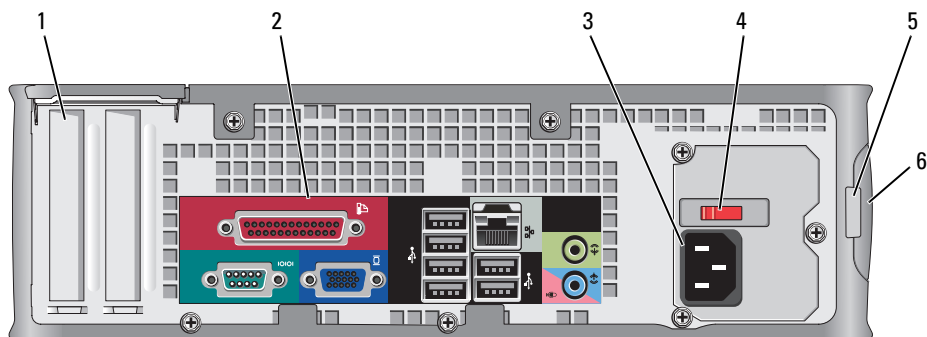
Il est recommandé d'utiliser les connecteurs USB situés à l'arrière pour les périphériques connectés en permanence, comme l'imprimante et le clavier.
- 2 bouton d'alimentation Appuyez sur ce bouton pour allumer l'ordinateur.

➔ **AVIS** : Pour ne pas perdre de données, n'éteignez pas l'ordinateur en appuyant sur le bouton d'alimentation. Procédez plutôt à un arrêt du système d'exploitation. Pour de plus amples informations, reportez-vous à la section « Avant de commencer » à la page 85.

➔ **AVIS** : Si la fonctionnalité ACPI est activée sur votre système d'exploitation, lorsque vous appuyez sur le bouton d'alimentation, l'ordinateur procède à un arrêt du système d'exploitation.
- 3 badge Dell Peut être tourné pour concorder avec l'orientation de votre ordinateur. Pour le faire tourner, placez vos doigts sur l'extérieur du badge, appuyez fermement et faites tourner le badge. Vous pouvez également le faire pivoter à l'aide de l'encoche située vers le bas du badge.
- 4 voyant LAN Indique qu'une connexion LAN (réseau local) est établie.
- 5 voyants de diagnostic Ces voyants vous aident à résoudre les problèmes informatiques d'après le code de diagnostic. Pour de plus amples informations, reportez-vous à la section « Voyants de diagnostic » à la page 110.
- 6 voyant d'activité du disque dur Ce voyant clignote rapidement lors de l'accès au disque dur.

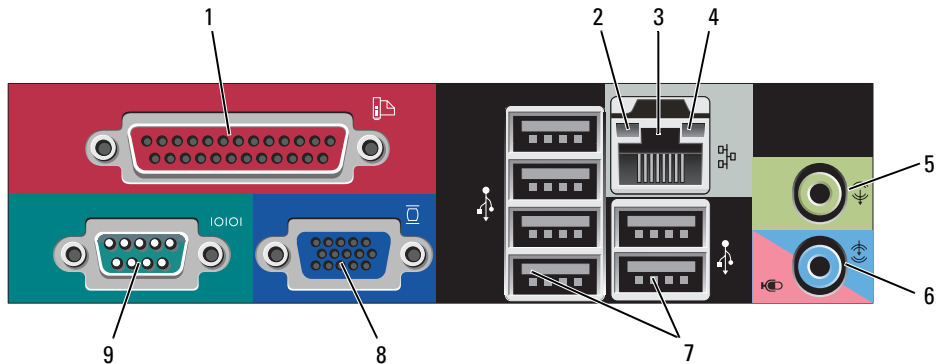
- | | | |
|----|-----------------------------|-------------------------------------------------------------------------------------------------------------------------------------------------------------------------------------------------------------------------------------------------------------------------------------------------------------------------------------------------------------------------------------------------------------------------------------------------------------------------------------------------------------------------------------------------------------------------------------------------------------------------------------------------------------------------------------------------------------------------------------------------------------------------------------------------------------------------------------------------------------------------------------------------------------------------------------------------------------------------------------------------------------------------------------------------|
| 7 | voyant d'alimentation | <p>Le voyant d'alimentation s'allume et clignote ou reste fixe, selon l'état de fonctionnement :</p> <ul style="list-style-type: none"> • Éteint — L'ordinateur est éteint. • Vert fixe — L'ordinateur fonctionne normalement. • Vert clignotant — L'ordinateur est en mode d'économie d'énergie. • Orange clignotant ou fixe — Reportez-vous au <i>Guide d'utilisation</i> en ligne. <p>Pour quitter le mode d'économie d'énergie, appuyez sur le bouton d'alimentation ou utilisez le clavier ou la souris si ce périphérique est configuré comme un périphérique de réveil dans le Gestionnaire de périphériques Windows. Pour plus d'informations sur les modes de mise en veille et sur la façon de quitter un mode d'économie d'énergie, reportez-vous au <i>Guide d'utilisation</i> en ligne.</p> <p>Reportez-vous à la section « Voyants du système » à la page 109 pour obtenir une description des codes lumineux permettant de résoudre les problèmes rencontrés sur votre ordinateur.</p> |
| 8 | connecteur de casque | Permet de connecter le casque et les haut-parleurs. |
| 9 | connecteur microphone | Utilisez le connecteur microphone pour brancher un microphone. |
| 10 | baie d'unité de 3,5 pouces | Peut contenir un lecteur de disquette optionnel ou un lecteur de carte multimédia optionnel. |
| 11 | baie d'unité de 5,25 pouces | Peut contenir un lecteur optique. Permet d'insérer un CD ou un DVD (si cela est pris en charge). |

Ordinateur compact — Vue arrière



- | | | |
|---|--------------------------------|----------------------------------------------------------------------------------------------------------------------------------------------------------------------------------------------------------------------------------------------------------------------------------------------------------------------------------------------------------------------------------------------------------------------------------------------------------------------------------------------------------------------------------------------------------------------------------------------------|
| 1 | logements de carte | Permettent d'accéder aux connecteurs de toutes les cartes PCI et PCI Express installées. |
| 2 | connecteurs du panneau arrière | Branchez les périphériques série, USB et tout autre périphérique dans les connecteurs appropriés (reportez-vous à la section « Ordinateur compact — Connecteurs du panneau arrière » à la page 79). |
| 3 | connecteur d'alimentation | Insérez le câble d'alimentation. |
| 4 | sélecteur de tension | <p>Votre ordinateur est équipé d'un sélecteur de tension manuel.</p> <p>Pour ne pas endommager un ordinateur doté d'un sélecteur de tension manuel, réglez le commutateur sur la tension qui correspond le mieux à l'alimentation en CA de l'endroit où vous trouvez :</p> <p>➔ AVIS : Au Japon, le sélecteur de tension doit être réglé sur 115 V bien que l'alimentation en CA soit de 100 V.</p> <p>Assurez-vous également que votre moniteur et tous ses périphériques sont électriquement réglés pour fonctionner avec la puissance en CA disponible dans votre zone géographique.</p> |
| 5 | anneau pour cadenas | Insérez un cadenas pour verrouiller le capot de l'ordinateur. |
| 6 | loquet de fermeture du capot | Permet d'ouvrir le capot de l'ordinateur. |

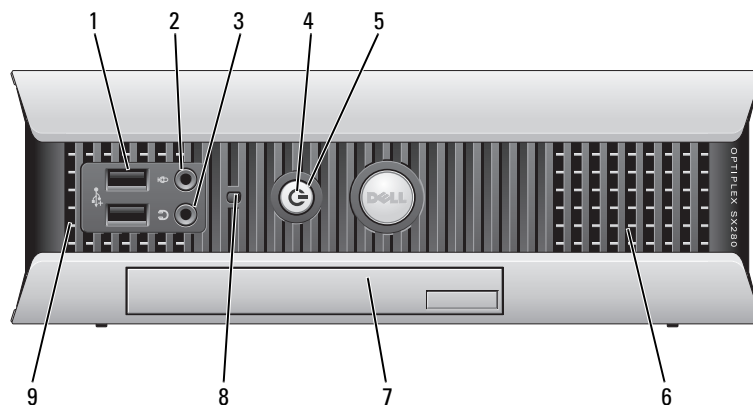
Ordinateur compact — Connecteurs du panneau arrière



- | | | |
|---|--------------------------------------|-------------------------------------------------------------------------------------------------------------------------------------------------------------------------------------------------------------------------------------------------------------------------------------------------------------------------------------------------------------------------------------------------------------------------------------------------------------------------------------------------------------------------------------------------------------------------------------------------------------------------------------------------------------------------------------------------------------------------------------------------------------------------------------------------------------------------|
| 1 | connecteur parallèle | <p>Permet de connecter un périphérique parallèle, tel qu'une imprimante. Si vous avez une imprimante USB, raccordez-la à un connecteur USB.</p> <p>REMARQUE : Le connecteur parallèle intégré est automatiquement désactivé si l'ordinateur détecte une carte installée contenant un connecteur parallèle configuré sur la même adresse. Pour plus d'informations, reportez-vous au <i>Guide d'utilisation en ligne</i>.</p> |
| 2 | voyant d'intégrité de la liaison | <ul style="list-style-type: none"> • Vert — Une bonne connexion est établie entre le réseau 10 Mb/s et l'ordinateur. • Orange — Une bonne connexion est établie entre le réseau 100 Mb/s et l'ordinateur. • Jaune — Une bonne connexion est établie entre le réseau 1 Gb/s (ou 1000 Mb/s) et l'ordinateur. • Éteint — L'ordinateur ne détecte pas de connexion physique au réseau. |
| 3 | connecteur de carte réseau | <p>Pour connecter l'ordinateur à un périphérique réseau ou large bande, branchez l'une des extrémités d'un câble réseau à une prise réseau, un périphérique réseau ou un périphérique large bande. Connectez l'autre extrémité du câble au connecteur de carte réseau situé sur le panneau arrière de votre ordinateur. Un dé clic indique que le câble de réseau a été correctement installé.</p> <p>REMARQUE : Ne branchez pas un câble téléphonique au connecteur réseau.</p> <p>Sur les ordinateurs équipés d'une carte réseau, utilisez le connecteur situé sur la carte.</p> <p>Il est recommandé d'utiliser un câblage et des connecteurs de catégorie 5 pour le réseau. Si vous devez utiliser un câblage de catégorie 3, forcez la vitesse réseau à 10 Mb/s pour garantir un fonctionnement fiable.</p> |
| 4 | voyant d'activité réseau | <p>Un voyant jaune clignote lorsque l'ordinateur transmet ou reçoit des données sur le réseau. Un trafic réseau important peut donner l'impression que ce voyant est fixe.</p> |
| 5 | connecteur ligne de sortie | <p>Utilisez le connecteur ligne de sortie de couleur verte (disponible sur les ordinateurs avec système audio intégré) pour connecter la plupart des haut-parleurs avec amplificateurs intégrés.</p> |
| 6 | connecteur ligne d'entrée/microphone | <p>Utilisez le connecteur ligne d'entrée/microphone (disponible sur les ordinateurs ayant une carte son intégrée) pour raccorder un appareil d'enregistrement/de lecture, tel qu'un lecteur de cassette, un lecteur de CD ou un magnétoscope ; ou un microphone d'ordinateur personnel destiné à une entrée vocale ou musicale dans un programme sonore ou de téléphonie.</p> |
| 7 | connecteurs USB 2.0 (6) | <p>Utilisez les connecteurs USB situés à l'arrière pour les périphériques connectés en permanence, comme l'imprimante et le clavier.</p> |

- 8 connecteur vidéo Branchez le câble du moniteur compatible VGA dans le connecteur bleu.
- REMARQUE :** Si vous avez acheté une carte graphique optionnelle, ce connecteur sera recouvert d'un cache. Connectez votre moniteur au connecteur sur la carte graphique. Ne retirez pas le cache.
- REMARQUE :** Si vous utilisez une carte graphique capable de gérer deux moniteurs, utilisez le câble Y fourni avec l'ordinateur.
- 9 connecteur série Connectez un périphérique série, tel qu'un PDA, au port série. Les désignations par défaut sont COM1 pour le connecteur série 1 et COM2 pour le connecteur série 2.
- Pour plus d'informations, reportez-vous au *Guide d'utilisation* en ligne.

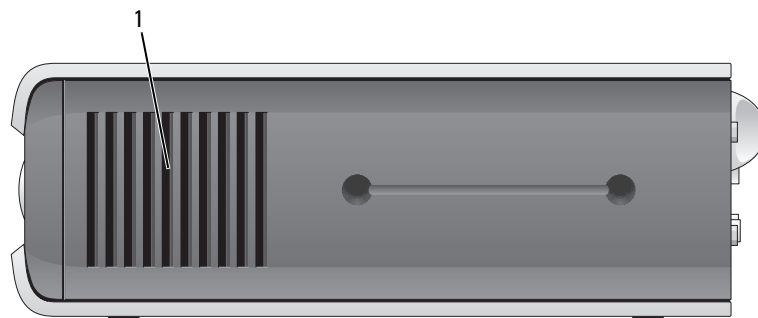
Ordinateur ultra compact — Vue frontale



- 1 connecteurs USB (2) Utilisez les connecteurs USB, situés à l'avant, pour connecter les périphériques dont vous ne vous servez qu'occasionnellement, tels qu'une manette de jeu ou une caméra, ou des périphériques USB amovibles (reportez-vous au *Guide d'utilisation* pour de plus amples informations sur l'amorçage à partir d'un périphérique USB). Il est recommandé d'utiliser les connecteurs USB situés à l'arrière pour les périphériques connectés en permanence, comme l'imprimante et le clavier.
- 2 connecteur de casque Permet de connecter le casque et les haut-parleurs.
- 3 connecteur microphone Utilisez le connecteur microphone pour brancher un microphone.

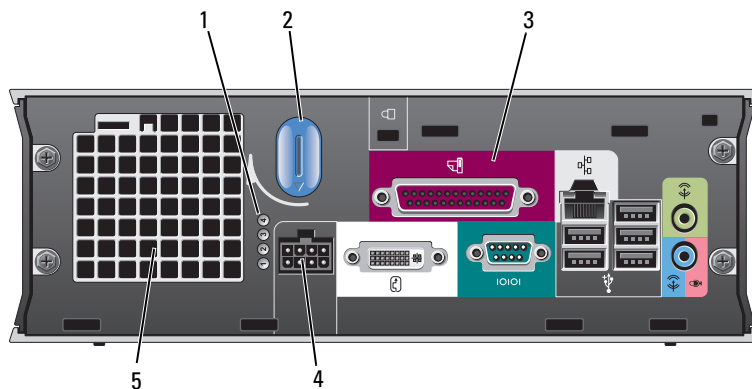
- 4 voyant d'alimentation Le voyant d'alimentation s'allume et clignote ou reste allumé, selon l'état :
- Éteint — L'ordinateur est éteint.
 - Vert fixe — L'ordinateur fonctionne normalement.
 - Vert clignotant — L'ordinateur est en mode d'économie d'énergie.
 - Jaune clignotant ou fixe — Reportez-vous au *Guide d'utilisation* en ligne.
- Pour quitter le mode d'économie d'énergie, appuyez sur le bouton d'alimentation ou utilisez le clavier ou la souris si ce périphérique est configuré comme un périphérique de réveil dans le Gestionnaire de périphériques Windows. Pour plus d'informations sur les modes de mise en veille et sur la façon de quitter un mode d'économie d'énergie, reportez-vous au *Guide d'utilisation* en ligne.
- Pour obtenir une description des codes lumineux pouvant vous aider à résoudre les problèmes rencontrés avec votre ordinateur, reportez-vous à la section « Voyants du système » à la page 109.
- 5 bouton d'alimentation Appuyez sur ce bouton pour allumer l'ordinateur.
- ➔ AVIS :** Pour ne pas perdre de données, n'éteignez pas l'ordinateur en appuyant sur le bouton d'alimentation. Procédez plutôt à un arrêt du système d'exploitation. Pour de plus amples informations, reportez-vous à la section « Avant de commencer » à la page 85.
- 6 entrées d'air Les entrées d'air permettent d'éviter une surchauffe de l'ordinateur. Afin de garantir une ventilation correcte, ne bloquez pas les grilles de refroidissement.
- 7 baie modulaire Permet d'installer un lecteur optique «D module», un deuxième disque dur ou un lecteur de disquette.
- 8 voyant d'accès au disque dur Le voyant d'accès au disque dur s'allume lorsque l'ordinateur lit ou écrit des données sur l'unité de disque dur. Le voyant peut également être allumé lorsque des périphériques, tels qu'un lecteur de CD, fonctionnent.
- 9 entrées d'air Les entrées d'air permettent d'éviter une surchauffe de l'ordinateur. Afin de garantir une ventilation correcte, ne bloquez pas les grilles de refroidissement.

Ordinateur ultra compact — Vue latérale



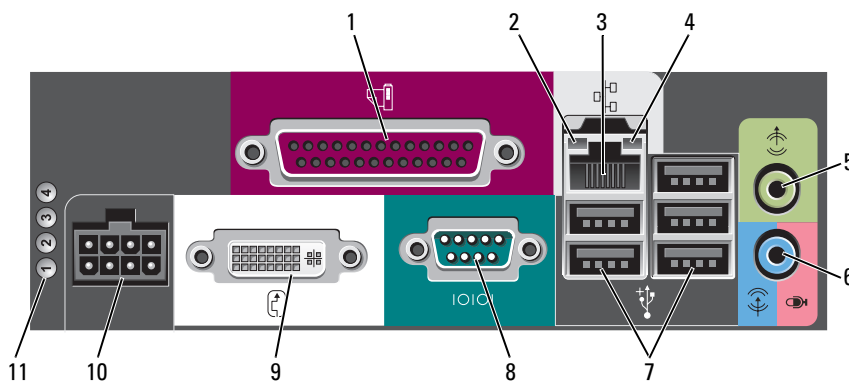
- 1 entrées d'air Les entrées d'air, situées de chaque côté de l'ordinateur, permettent d'éviter une surchauffe de l'ordinateur. Afin de garantir une ventilation correcte, ne bloquez pas les grilles de refroidissement.

Ordinateur ultra compact — Vue arrière



- | | | |
|---|----------------------------------------------|---------------------------------------------------------------------------------------------------------------------------------------------------------------------------------------------------|
| 1 | voyants de diagnostic | Pour obtenir une description des codes lumineux pouvant vous aider à résoudre les problèmes rencontrés avec votre ordinateur, reportez-vous à la section « Voyants de diagnostic » à la page 110. |
| 2 | bouton de fermeture du capot de l'ordinateur | Tournez ce bouton dans le sens horaire pour retirer le capot. |
| 3 | connecteurs du panneau arrière | Connecteurs de votre ordinateur (reportez-vous à la section « Ordinateur ultra compact — Connecteurs du panneau arrière » à la page 83). |
| 4 | connecteur d'alimentation | Insérez le câble d'alimentation. |
| 5 | entrées d'air | Les entrées d'air permettent d'éviter une surchauffe de l'ordinateur. Afin de garantir une ventilation correcte, ne bloquez pas les grilles de refroidissement. |

Ordinateur ultra compact — Connecteurs du panneau arrière




- | | | |
|---|----------------------|------------------------------------------------------------------------------------------------------------------------------------------|
| 1 | connecteur parallèle | Permet de connecter un périphérique parallèle, tel qu'une imprimante. Si vous avez une imprimante USB, raccordez-la à un connecteur USB. |
|---|----------------------|------------------------------------------------------------------------------------------------------------------------------------------|

- | | | |
|----|--------------------------------------|-----------------------------------------------------------------------------------------------------------------------------------------------------------------------------------------------------------------------------------------------------------------------------------------------------------------------------------------------------------------------------------------------------------------------------------------------------------------------------------------------------------------------------------------------------------------------------------------------------------------------------------------------------------------------------------------------------------------------------------------------------------------------------------------------------------------|
| 2 | voyant d'intégrité de la liaison | <ul style="list-style-type: none"> • Vert — Une bonne connexion est établie entre le réseau 10 Mb/s et l'ordinateur. • Orange — Une bonne connexion est établie entre le réseau 100 Mb/s et l'ordinateur. • Jaune — Une bonne connexion est établie entre le réseau 1000 Mb/s (1 Gb/s) et l'ordinateur. • Éteint — L'ordinateur ne détecte pas de connexion physique au réseau ou le contrôleur de réseau est désactivé dans le programme de configuration du système. |
| 3 | carte réseau | <p>Pour connecter l'ordinateur à un périphérique réseau ou large bande, branchez l'une des extrémités d'un câble réseau à une prise réseau, un périphérique réseau ou un périphérique large bande. Connectez l'autre extrémité du câble au connecteur de carte réseau situé sur le panneau arrière de votre ordinateur. Un déclic indique que le câble de réseau a été correctement installé.</p> <p>REMARQUE : Ne branchez pas un câble téléphonique au connecteur réseau.</p> <p>Sur les ordinateurs équipés d'une carte réseau, utilisez le connecteur situé sur la carte. Il est recommandé d'utiliser un câblage et des connecteurs de catégorie 5 pour le réseau. Si vous devez utiliser un câblage de catégorie 3, forcez la vitesse réseau à 10 Mb/s pour garantir un fonctionnement fiable.</p> |
| 4 | voyant d'activité réseau | Ce voyant clignote orange lorsque l'ordinateur transmet ou reçoit des données sur le réseau. Un trafic réseau important peut donner l'impression que ce voyant est fixe. |
| 5 | connecteur ligne de sortie | Utilisez le connecteur ligne de sortie de couleur verte pour connecter un ensemble de haut-parleurs avec amplificateur intégré. |
| 6 | connecteur ligne d'entrée/microphone | Utilisez le connecteur ligne d'entrée/microphone rose pour raccorder un appareil d'enregistrement/de lecture, tel qu'un lecteur de cassette, un lecteur de CD ou un magnétoscope ; ou un microphone d'ordinateur personnel destiné à une entrée vocale ou musicale dans un programme sonore ou de téléphonie. |
| 7 | connecteurs USB (5) | Utilisez les connecteurs USB situés à l'arrière pour les périphériques connectés en permanence, comme l'imprimante et le clavier. |
| 8 | connecteur série | Vous pouvez connecter un périphérique série, par exemple un ordinateur de poche, au connecteur série. |
| 9 | connecteur vidéo | <p>Si vous disposez d'un moniteur compatible DVI, connectez le câble de votre moniteur au connecteur blanc situé sur le panneau arrière.</p> <p>Si vous disposez d'un moniteur VGA, reportez-vous à la section «Raccordement d'un moniteur VGA» du <i>Guide d'utilisation</i> de votre ordinateur.</p> |
| 10 | connecteur d'alimentation | Le connecteur du bloc d'alimentation. |
| 11 | voyants de diagnostic | Pour obtenir une description des codes lumineux pouvant vous aider à résoudre les problèmes rencontrés avec votre ordinateur, reportez-vous à la section «Voyants de diagnostic » à la page 110. |

Retrait du capot de l'ordinateur

 **PRÉCAUTION :** Avant de commencer toute procédure de cette section, consultez et respectez les consignes de sécurité du *Guide d'information sur le produit*.

 **PRÉCAUTION :** Pour prévenir tout risque de choc électrique, débranchez toujours votre ordinateur de la prise électrique avant de retirer le capot.


Avant de commencer

- ➔ **AVIS** : Pour éviter de perdre des données, enregistrez tous les fichiers ouverts, fermez-les et quittez toutes les applications avant de procéder à l'arrêt du système.
- 1 Arrêtez le système d'exploitation :
 - a Enregistrez et fermez tous les fichiers, quittez tous les programmes, cliquez sur le bouton **Démarrer**, puis sur **Arrêter l'ordinateur**.
 - b Dans la fenêtre **Arrêter l'ordinateur**, cliquez sur **Arrêter/Éteindre**.
L'ordinateur s'éteint une fois le processus d'arrêt terminé.
- 2 Vérifiez que l'ordinateur et les périphériques reliés sont éteints. Si votre ordinateur et les périphériques qui y sont connectés ne se sont pas éteints automatiquement lorsque vous avez éteint votre ordinateur, éteignez-les maintenant.

Avant d'intervenir à l'intérieur de votre ordinateur

Respectez les consignes de sécurité suivantes pour vous aider à protéger votre ordinateur contre les dommages éventuels et pour garantir votre sécurité personnelle.

 **PRÉCAUTION** : Avant de commencer toute procédure de cette section, consultez et respectez les consignes de sécurité du *Guide d'information sur le produit*.

 **PRÉCAUTION** : Manipulez les composants et les cartes avec précaution. Ne touchez pas les composants ou les contacts d'une carte. Tenez une carte par les bords ou par la languette de montage métallique. Tenez les composants, tels qu'un processeur, par les bords et non par les broches.

➔ **AVIS** : Seul un technicien d'entretien qualifié doit effectuer les réparations sur votre ordinateur. Les dommages causés par une personne non agréée par Dell ne sont pas couverts par votre garantie.

➔ **AVIS** : Lorsque vous débranchez un câble, tirez sur le connecteur ou sur la boucle prévue, mais jamais sur le câble lui-même. Certains câbles sont munis d'un connecteur aux languettes de verrouillage ; si vous déconnectez ce type de câble, appuyez sur les languettes de verrouillage vers l'intérieur avant de déconnecter le câble. Quand vous séparez les connecteurs en tirant dessus, veillez à les maintenir alignés pour ne pas plier de broches de connecteur. De même, lorsque vous connectez un câble, assurez-vous que les deux connecteurs sont bien orientés et alignés.


Avant de commencer à travailler sur l'ordinateur, suivez les étapes suivantes pour éviter de l'endommager.

- 1 Éteignez l'ordinateur.
- ➔ **AVIS** : Pour déconnecter un câble réseau, débranchez d'abord le câble de votre ordinateur, puis de la prise réseau murale.
- 2 Débranchez tous les fils de téléphone ou de télécommunication de l'ordinateur.
- 3 Déconnectez l'ordinateur et tous ses périphériques de leurs prises secteur, puis appuyez sur le bouton d'alimentation pour mettre la carte système à la terre.
- 4 Retirez, le cas échéant, le socle inclinable de l'ordinateur (pour les instructions, reportez-vous à la documentation fournie avec le socle inclinable).

 **PRÉCAUTION : Pour prévenir tout risque de choc électrique, débranchez toujours votre ordinateur de la prise électrique avant de retirer le capot.**

5 Retirez le capot de l'ordinateur :

- Retirez le capot de l'ordinateur mini-tour (reportez-vous à la section « Ordinateur mini-tour » à la page 86).
- Retirez le capot de l'ordinateur de bureau (reportez-vous à la section « Ordinateur de bureau » à la page 87).
- Retirez le capot de l'ordinateur compact (reportez-vous à la section « Ordinateur compact » à la page 88).
- Retirez le capot de l'ordinateur ultra compact (reportez-vous à la section « Ordinateur ultra compact » à la page 90).

 **AVIS :** Avant de toucher quoi que ce soit à l'intérieur de l'ordinateur, mettez-vous à la terre en touchant une surface métallique non peinte, par exemple la partie métallique à l'arrière de l'ordinateur. Pendant votre intervention, touchez périodiquement une surface métallique non peinte de l'ordinateur pour dissiper toute électricité statique qui pourrait endommager les composants internes.

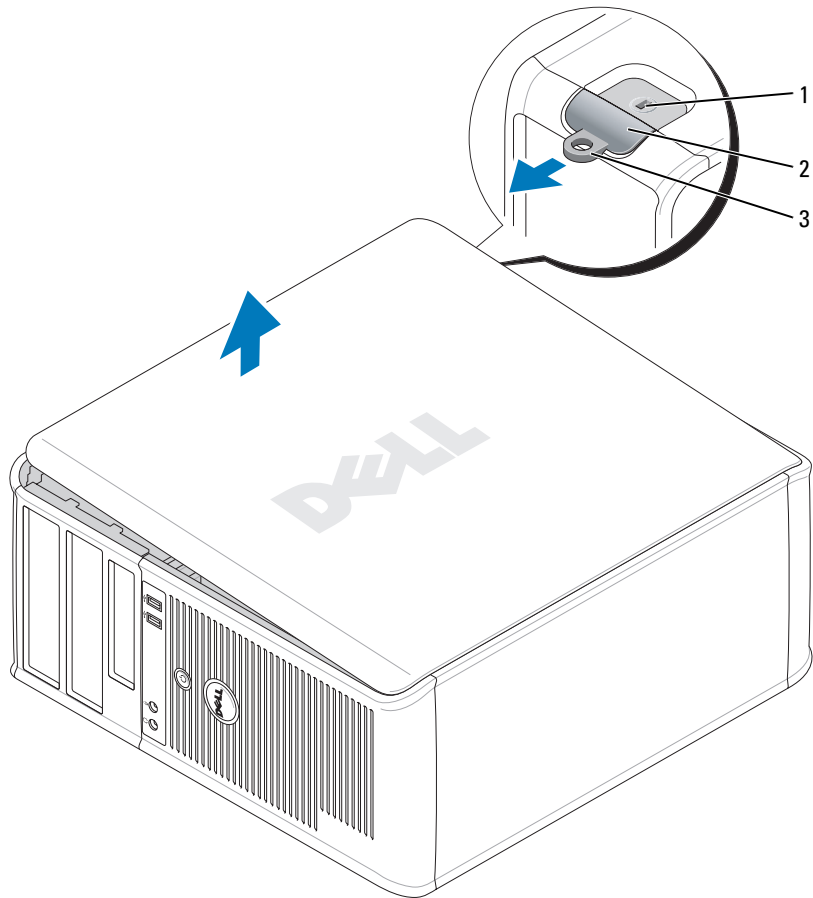
Ordinateur mini-tour

 **PRÉCAUTION :** Avant de commencer toute procédure de cette section, consultez et respectez les consignes de sécurité du *Guide d'information sur le produit*.

 **PRÉCAUTION :** Pour éviter tout choc électrique, débranchez toujours la prise secteur de votre ordinateur avant de retirer le capot de l'ordinateur.

- 1 Suivez les procédures décrites dans la section « Avant de commencer » à la page 85.
- 2 Couchez l'ordinateur sur le côté, comme indiqué sur l'illustration.
- 3 Repérez le loquet de fermeture du capot illustré ci-dessous. Puis, faites glisser le loquet vers l'arrière tout en levant le capot.
- 4 Prenez le capot de l'ordinateur par les côtés et faites-le pivoter vers le haut en utilisant les languettes de charnière comme leviers.
- 5 Retirez le capot des languettes de charnière et mettez-le de côté sur une surface douce non abrasive.

 **PRÉCAUTION :** Le dissipateur de chaleur de la carte graphique peut énormément chauffer au cours d'une utilisation normale. Laissez-lui suffisamment de temps pour refroidir avant de le toucher.



1 emplacement pour câble de sécurité 2 loquet de fermeture du capot 3 anneau pour cadenas

Ordinateur de bureau

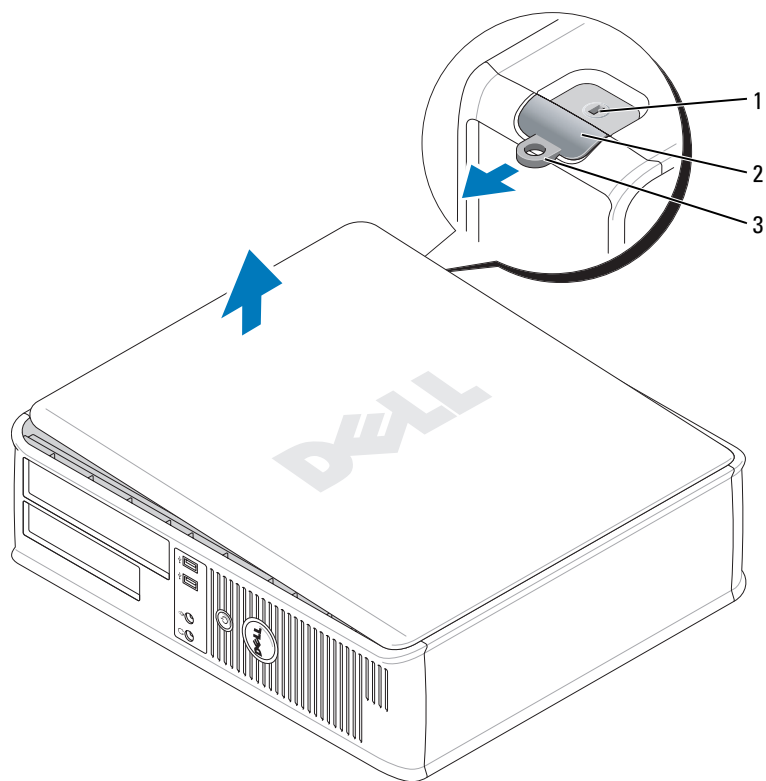
⚠ PRÉCAUTION : Avant de commencer toute procédure de cette section, consultez et respectez les consignes de sécurité du *Guide d'information sur le produit*.

⚠ PRÉCAUTION : Pour éviter tout choc électrique, débranchez toujours la prise secteur de votre ordinateur avant de retirer le capot de l'ordinateur.

- 1 Suivez les procédures décrites dans la section « Avant de commencer » à la page 85.
- 2 Si vous avez installé un cadenas dans l'anneau prévu à cet effet sur le panneau arrière, retirez-le.

- 3 Repérez le loquet de fermeture du capot illustré ci-dessous. Puis, faites glisser le loquet vers l'arrière tout en levant le capot.
- 4 Prenez le capot de l'ordinateur par les côtés et faites-le pivoter vers le haut en utilisant les languettes de charnière comme leviers.
- 5 Retirez le capot des languettes de charnière et mettez-le de côté sur une surface douce non abrasive.

 **PRÉCAUTION** : Le dissipateur de chaleur de la carte graphique peut énormément chauffer au cours d'une utilisation normale. Laissez-lui suffisamment de temps pour refroidir avant de le toucher.



1 emplacement pour câble de sécurité 2 loquet de fermeture du capot 3 anneau pour cadenas

Ordinateur compact

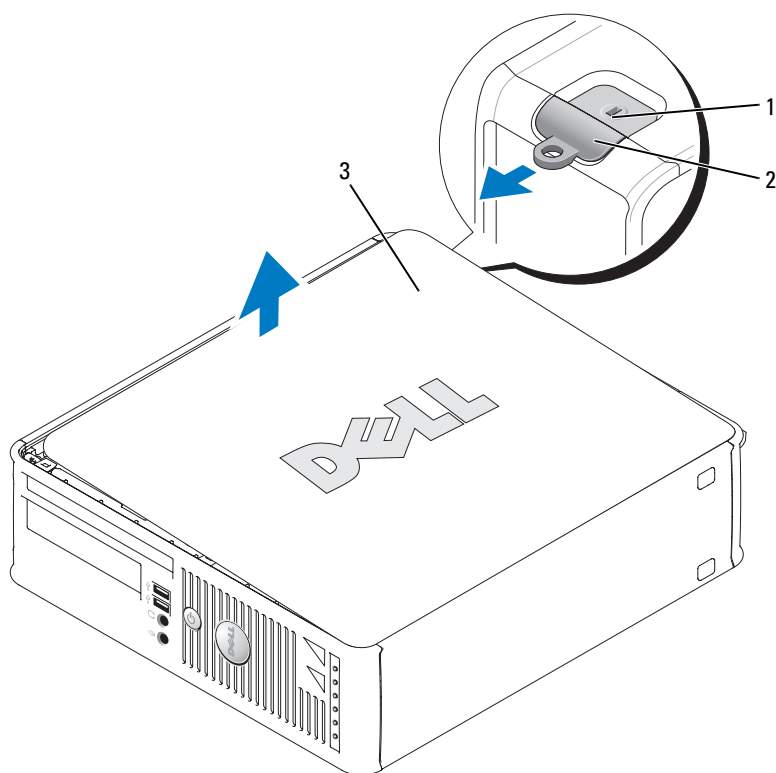
 **PRÉCAUTION** : Avant de commencer toute procédure de cette section, consultez et respectez les consignes de sécurité du *Guide d'information sur le produit*.

 **PRÉCAUTION** : Pour éviter tout choc électrique, débranchez toujours la prise secteur de votre ordinateur avant de retirer le capot de l'ordinateur.

- 1 Suivez les procédures décrites dans la section « Avant de commencer » à la page 85.
- 2 Si vous avez installé un cadenas dans l'anneau prévu à cet effet sur le panneau arrière, retirez-le.
- 3 Repérez le loquet de fermeture du capot illustré ci-dessous. Puis, faites glisser le loquet vers l'arrière tout en levant le capot.
- 4 Prenez le capot de l'ordinateur par les côtés et faites-le pivoter vers le haut en utilisant les charnières inférieures comme leviers.
- 5 Retirez le capot des languettes de charnière et mettez-le de côté sur une surface douce non abrasive.



PRÉCAUTION : Le dissipateur de chaleur de la carte graphique peut énormément chauffer au cours d'une utilisation normale. Laissez-lui suffisamment de temps pour refroidir avant de le toucher.



1 emplacement pour câble de sécurité 2 loquet de fermeture du capot 3 capot de l'ordinateur

Ordinateur ultra compact

⚠ PRÉCAUTION : Avant de commencer toute procédure de cette section, consultez et respectez les consignes de sécurité du *Guide d'information sur le produit*.

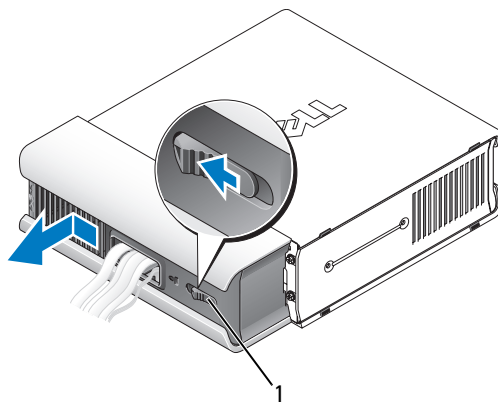
⚠ PRÉCAUTION : Pour éviter tout choc électrique, débranchez toujours la prise secteur de votre ordinateur avant de retirer le capot de l'ordinateur.

1 Suivez les procédures décrites dans la section « Avant de commencer » à la page 85.

➡ AVIS : Avant de toucher les composants situés à l'intérieur de votre ordinateur, mettez-vous à la terre en touchant une surface métallique non peinte. Pendant votre intervention, touchez périodiquement une surface métallique non peinte de l'ordinateur pour dissiper toute électricité statique qui pourrait endommager les composants internes.

2 Retirez le cache-câble, le cas échéant.

a Si un périphérique de sécurité est installé dans l'emplacement pour câble de sécurité, retirez-le.



1 bouton de dégageur

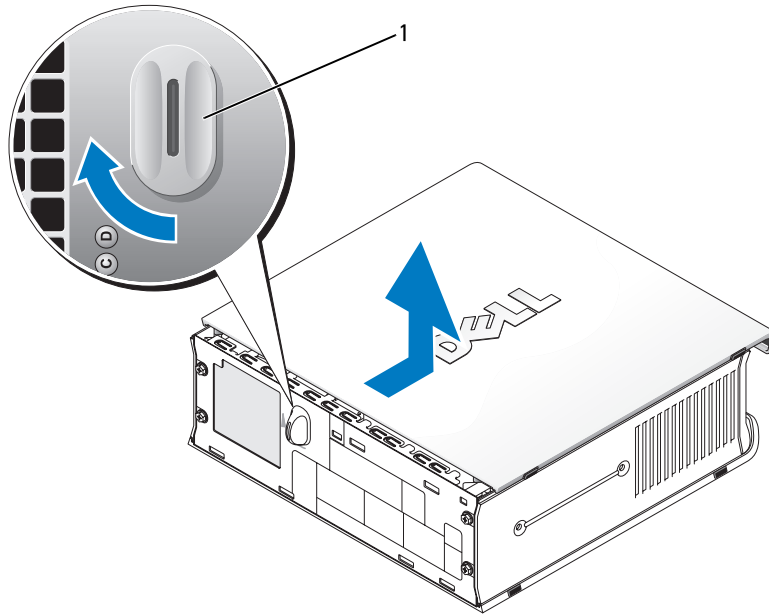
b Appuyez sur le bouton de dégageur, saisissez le cache-câble, faites glisser le cache à fond vers la gauche, puis soulevez-le pour le retirer.

3 Retirez le capot de l'ordinateur :

a Tournez le bouton de fermeture du capot dans le sens horaire, comme illustré ci-dessous.

b Faites glisser le capot de l'ordinateur vers l'avant de 1 cm (1/2 pouce) ou jusqu'à ce qu'il s'arrête et soulevez le capot.

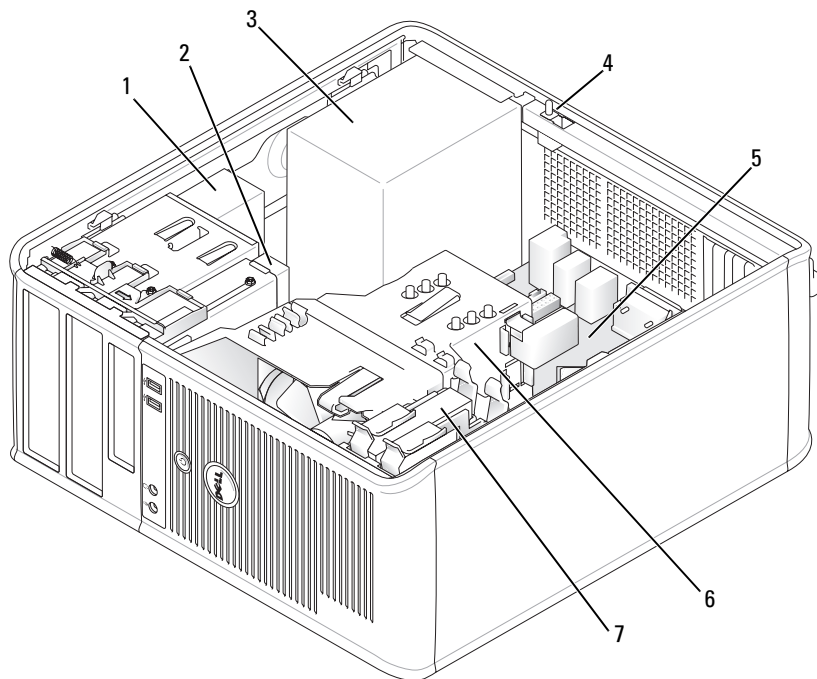
⚠ PRÉCAUTION : Le dissipateur de chaleur de la carte graphique peut énormément chauffer au cours d'une utilisation normale. Laissez-lui suffisamment de temps pour refroidir avant de le toucher.



1 bouton de fermeture

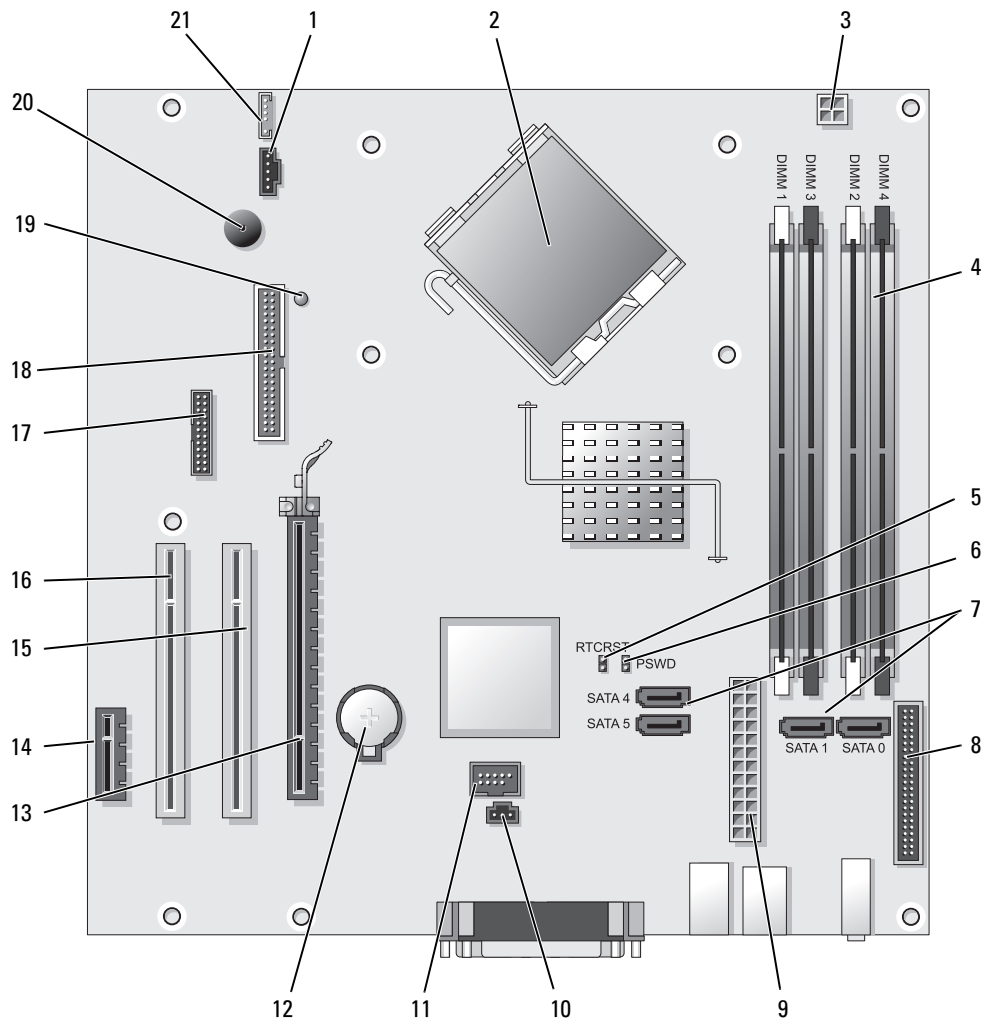
L'intérieur de votre ordinateur

Ordinateur mini-tour



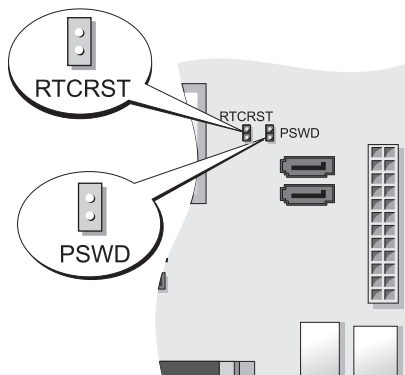
- | | | | | | |
|---|------------------------------------------------------|---|--------------------------------------------------------|---|-----------------------------------------|
| 1 | lecteur optique | 2 | lecteur de disquette ou
lecteur de carte multimédia | 3 | bloc d'alimentation |
| 4 | commutateur d'intrusion
dans le châssis optionnel | 5 | carte système | 6 | assemblage du dissipateur de
chaleur |
| 7 | unité de disque dur | | | | |





Composants de la carte système



- | | | | |
|----|---------------------------------------------------------------------|----|-------------------------------------------|
| 1 | connecteur de ventilateur (FAN) | 12 | support de pile (BATT) |
| 2 | connecteur du processeur (UC) | 13 | connecteur PCI Express x16 (SLOT1) |
| 3 | connecteur d'alimentation du processeur (12VPOWER) | 14 | connecteur PCI Express x1 (SLOT4) |
| 4 | connecteurs pour module de mémoire (DIMM_1, DIMM_2, DIMM_3, DIMM_4) | 15 | connecteur PCI (SLOT2) |
| 5 | cavalier de réinitialisation RTC (RTCRST) | 16 | connecteur PCI (SLOT3) |
| 6 | cavalier du mot de passe (PSWD) | 17 | connecteur série (SER2) |
| 7 | connecteurs de lecteur SATA (SATA0, SATA1, SATA4, SATA5) | 18 | connecteur du lecteur de disquette (DSKT) |
| 8 | connecteur du panneau avant (FNT_PANEL) | 19 | courant auxiliaire |
| 9 | connecteur d'alimentation (POWER) | 20 | haut-parleur de la carte système (BEEP) |
| 10 | connecteur du commutateur d'intrusion (INTRUDER) | 21 | connecteur de haut-parleur (INT_SPKR) |
| 11 | USB interne (INTERNAL_USB) | | |

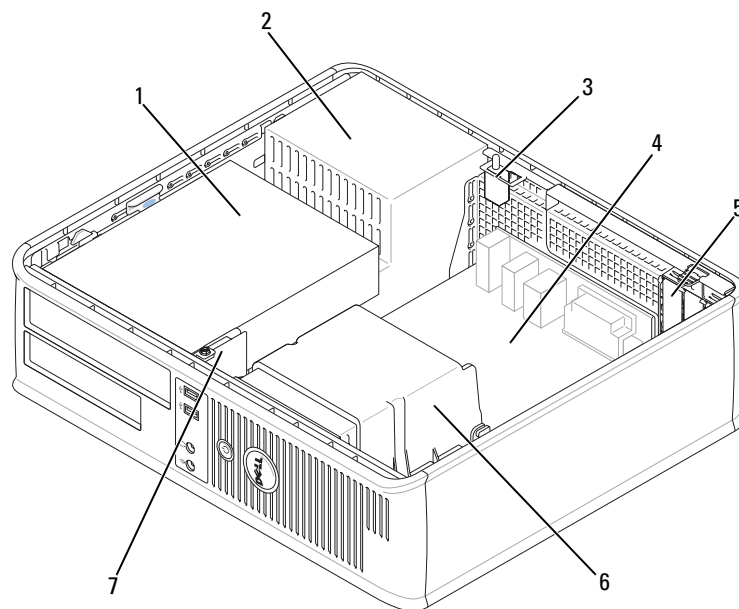
Paramètres des cavaliers



Cavalier	Paramètre	Description
PSWD		Les fonctions de mot de passe sont activées (configuration par défaut).
		Les fonctions de mot de passe sont désactivées.
RTCST		L'horloge en temps réel n'a pas été réinitialisée.
		L'horloge en temps réel est en cours de réinitialisation (cavalier fermé temporairement).

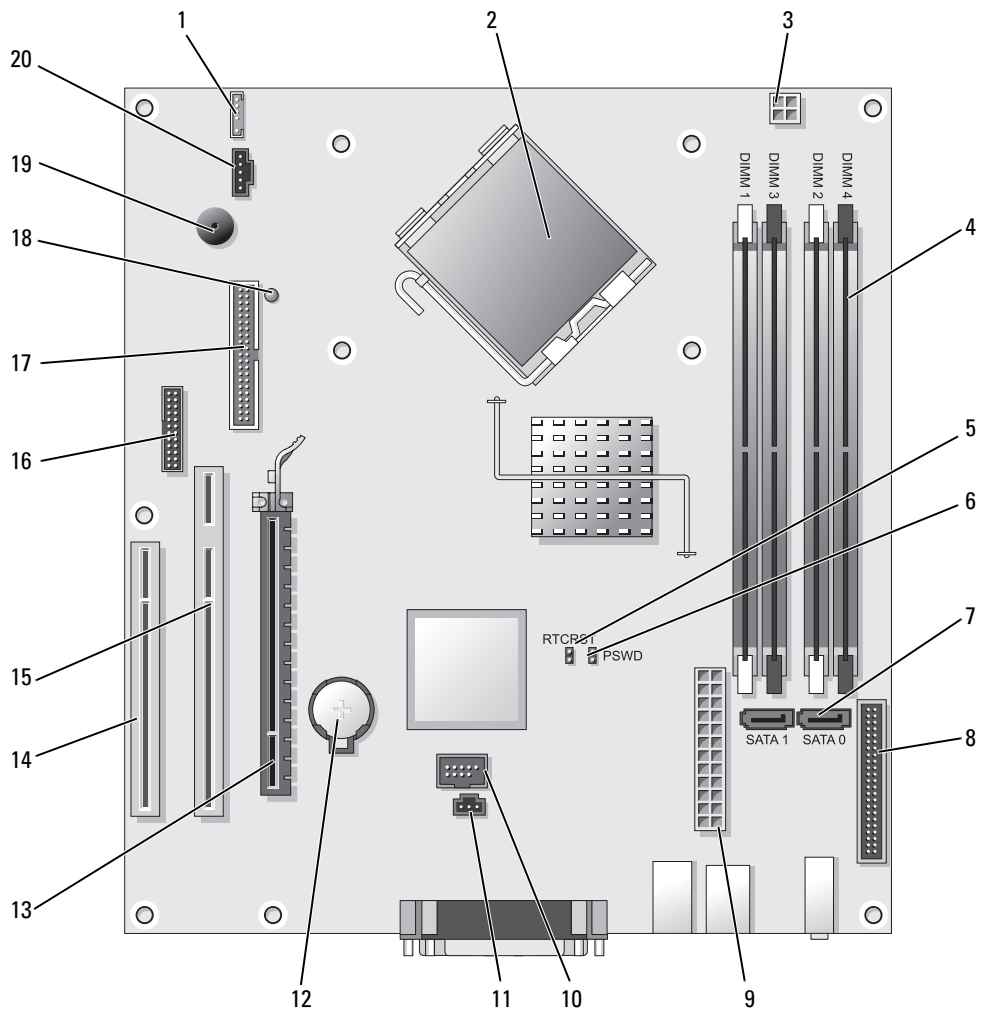
 *fermé*  *ouvert*

Ordinateur de bureau



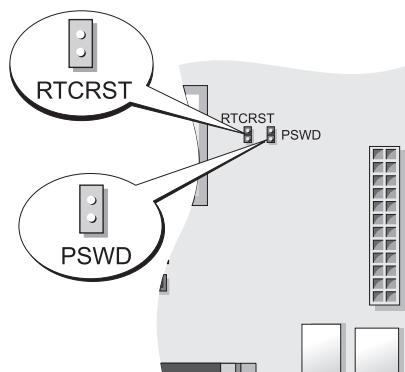
- | | | | | | |
|---|----------------------------------------------------------------------------------------------------|---|---------------------|---|---------------------------------------------------|
| 1 | baies d'unité (lecteur de carte multimédia ou lecteur de disquette, lecteur optique et disque dur) | 2 | bloc d'alimentation | 3 | commutateur d'intrusion dans le châssis optionnel |
| 4 | carte système | 5 | logements de carte | 6 | assemblage du dissipateur de chaleur |
| 7 | panneau d'E/S avant | | | | |





Composants de la carte système





- | | | | |
|----|---------------------------------------------------------------------|----|--------------------------------------------------|
| 1 | haut-parleur interne (INT_SPKR) | 11 | connecteur du commutateur d'intrusion (INTRUDER) |
| 2 | connecteur du processeur (UC) | 12 | support de pile (BATT) |
| 3 | connecteur d'alimentation du processeur (12VPOWER) | 13 | connecteur PCI Express x16 (SLOT1) |
| 4 | connecteurs pour module de mémoire (DIMM_1, DIMM_2, DIMM_3, DIMM_4) | 14 | connecteur PCI (SLOT3) |
| 5 | cavalier de réinitialisation RTC (RTCRST) | 15 | connecteur PCI (SLOT2) |
| 6 | cavalier du mot de passe (PSWD) | 16 | connecteur série (SER2) |
| 7 | connecteurs SATA (SATA0, SATA1) | 17 | connecteur du lecteur de disquette (DSKT) |
| 8 | connecteur du panneau avant (FNT_PANEL) | 18 | courant auxiliaire |
| 9 | connecteur d'alimentation (POWER) | 19 | haut-parleur de la carte système (BEEP) |
| 10 | USB interne (INTERNAL_USB) | 20 | connecteur de ventilateur (FAN) |

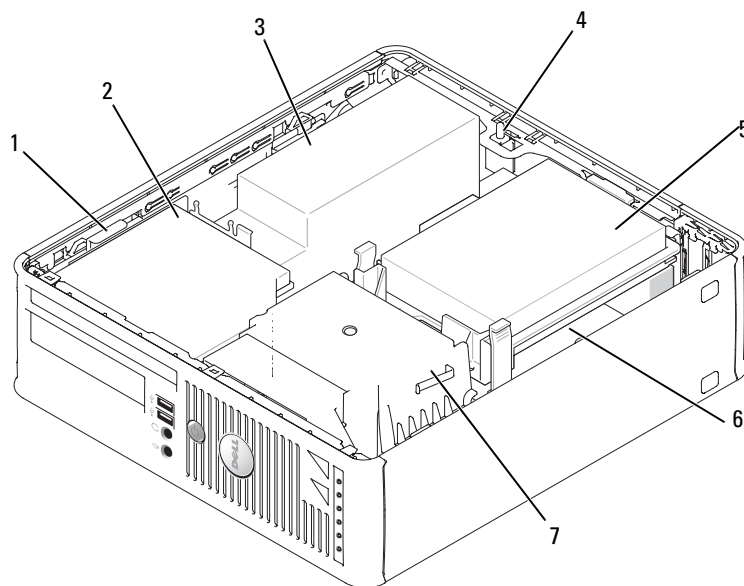
Paramètres des cavaliers



Cavalier	Paramètre	Description
PSWD		Les fonctions de mot de passe sont activées (configuration par défaut).
		Les fonctions de mot de passe sont désactivées.
RTCRST		L'horloge en temps réel n'a pas été réinitialisée.
		L'horloge en temps réel est en cours de réinitialisation (cavalier fermé temporairement).

 *fermé*
  *ouvert*

Ordinateur compact



1 loquet de fermeture du lecteur

2 lecteur optique

3 bloc d'alimentation et ventilateur

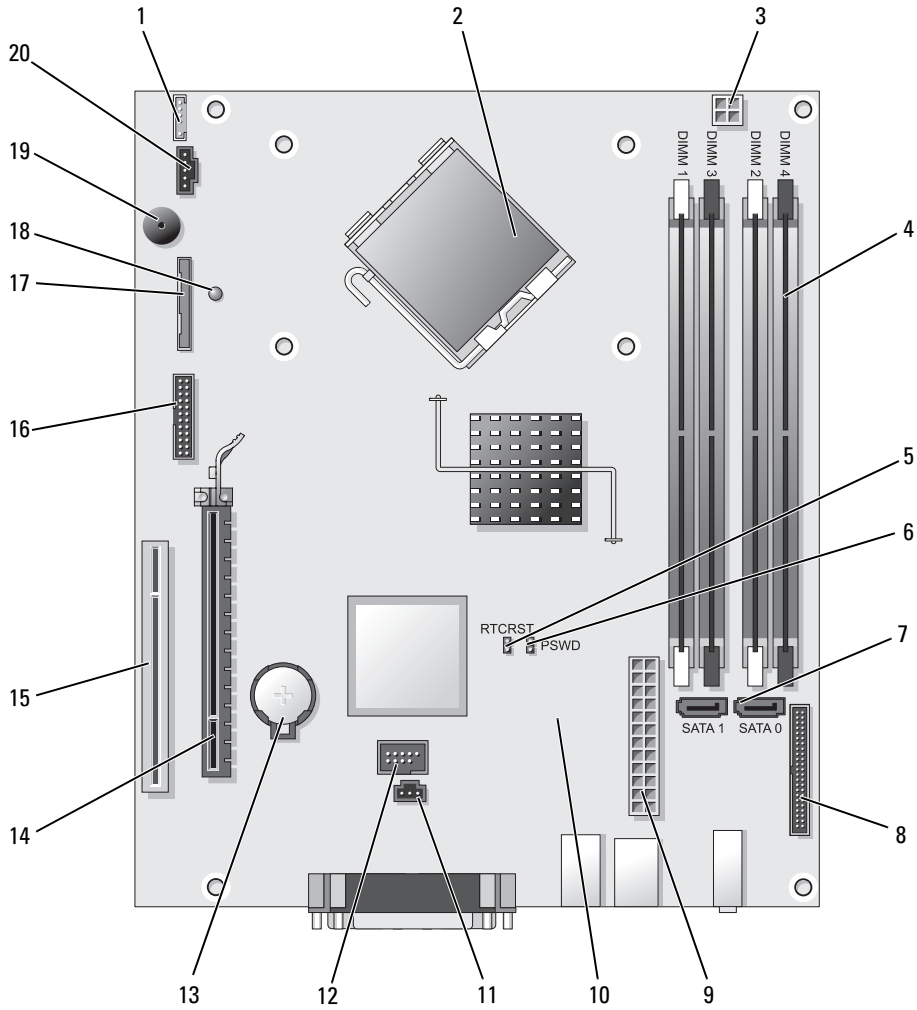
4 commutateur d'intrusion dans le châssis optionnel

5 unité de disque dur

6 carte système

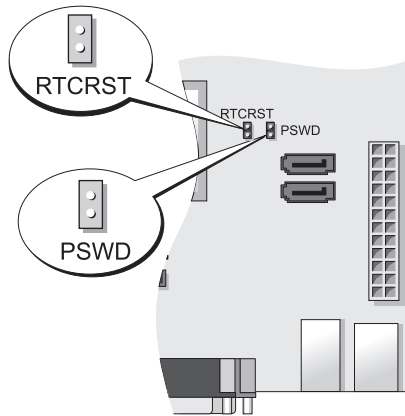
7 assemblage dissipateur de chaleur et ventilateur





Composants de la carte système



- | | | | |
|----|---------------------------------------------------------------------|----|--------------------------------------------------|
| 1 | connecteur de haut-parleur interne (INT_SPKR) | 11 | connecteur du commutateur d'intrusion (INTRUDER) |
| 2 | connecteur du processeur (UC) | 12 | connecteur USB interne (USB) |
| 3 | connecteur d'alimentation du processeur (12VPOWER) | 13 | support de pile (BATT) |
| 4 | connecteurs pour module de mémoire (DIMM_1, DIMM_2, DIMM_3, DIMM_4) | 14 | connecteur PCI Express x16 (SLOT1) |
| 5 | cavalier de réinitialisation RTC (RTCRST) | 15 | connecteur PCI (SLOT2) |
| 6 | cavalier du mot de passe (PSWD) | 16 | connecteur série (SER2) |
| 7 | connecteurs SATA (SATA0, SATA1) | 17 | connecteur du lecteur de disquette (DSKT) |
| 8 | connecteur du panneau avant (FNT_PANEL) | 18 | courant auxiliaire |
| 9 | connecteur d'alimentation (POWER) | 19 | haut-parleur de la carte système (BEEP) |
| 10 | connecteur de ventilateur (FAN2) | 20 | connecteur de ventilateur (FAN) |

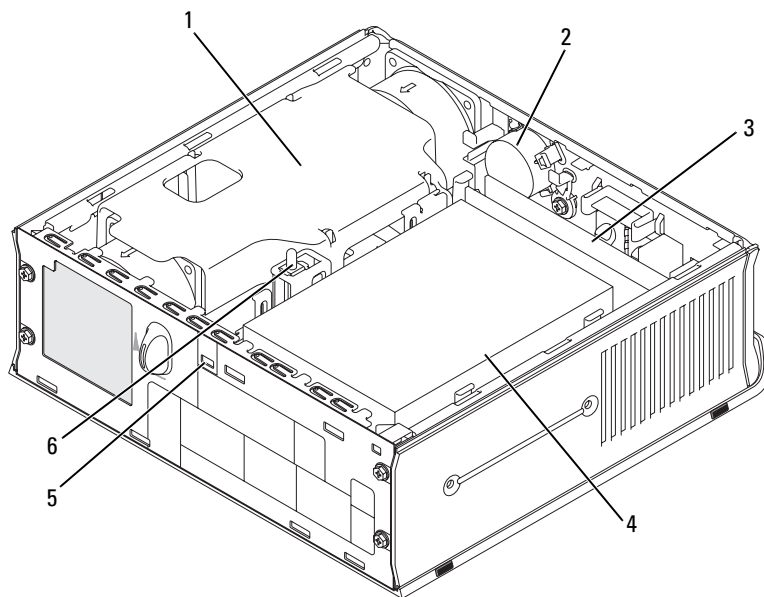
Paramètres des cavaliers



Cavalier	Paramètre	Description
PSWD		Les fonctions de mot de passe sont activées (configuration par défaut).
		Les fonctions de mot de passe sont désactivées.
RTC/RST		L'horloge en temps réel n'a pas été réinitialisée.
		L'horloge en temps réel est en cours de réinitialisation (cavalier fermé temporairement).

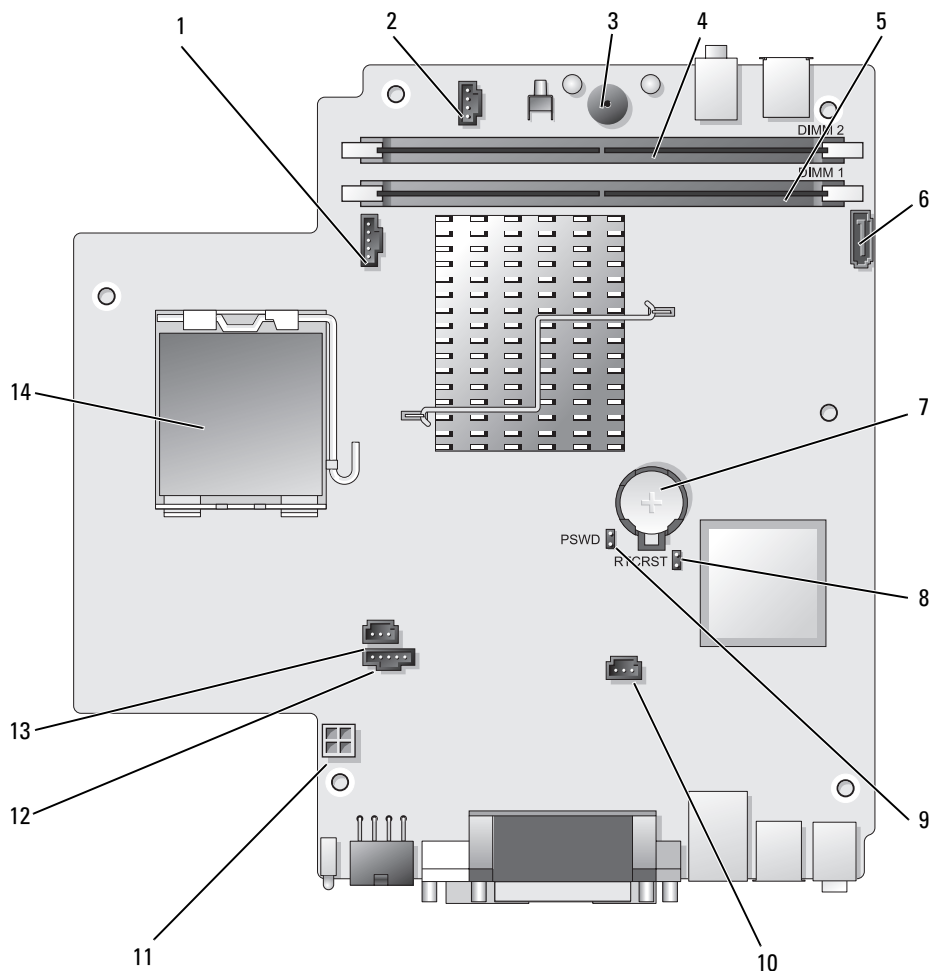
 fermé  ouvert

Ordinateur ultra compact



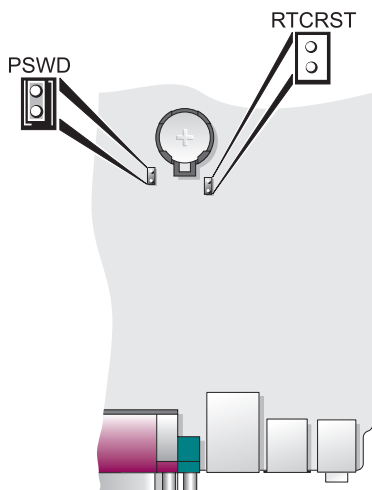
- | | | | | | |
|---|----------------------------------------------------|---|---------------------------------------|---|---------------------------------------|
| 1 | carénage du ventilateur/
dissipateur de chaleur | 2 | haut-parleur (optionnel) | 3 | modules de mémoire (2) |
| 4 | unité de disque dur | 5 | emplacement pour câble de
sécurité | 6 | commutateur d'intrusion du
châssis |





Composants de la carte système



- | | | | |
|---|-----------------------------------------------|----|----------------------------------------------------|
| 1 | connecteur de ventilateur (FAN_FRONT) | 8 | cavalier d'effacement des paramètres CMOS (RTCRST) |
| 2 | connecteur de haut-parleur interne (INT_SPKR) | 9 | cavalier du mot de passe (PSWD) |
| 3 | haut-parleur de la carte système (BEEP) | 10 | connecteur du ventilateur du disque dur (FAN_HDD) |
| 4 | connecteur mémoire canal B (DIMM_2) | 11 | connecteur d'alimentation de disque dur (SATA_PWR) |
| 5 | connecteur mémoire canal A (DIMM_1) | 12 | connecteur de ventilateur (FAN_REAR) |
| 6 | connecteur de câble de données SATA (SATA0) | 13 | connecteur du commutateur d'intrusion (INTRUDER) |
| 7 | pile (BATT) | 14 | processeur (CPU) |

Paramètres des cavaliers



Cavalier	Paramètre	Description
PSWD		Les fonctions de mot de passe sont activées (configuration par défaut).
		Les fonctions de mot de passe sont désactivées.
RTCST		L'horloge en temps réel n'a pas été réinitialisée.
		L'horloge en temps réel est en cours de réinitialisation (cavalier fermé temporairement).



fermé



ouvert

Configuration de votre ordinateur


⚠ PRÉCAUTION : Avant de commencer toute procédure de cette section, lisez les consignes de sécurité du *Guide d'information sur le produit*.



AVIS : Si votre ordinateur est doté d'une carte d'extension (une carte modem par exemple), branchez le câble approprié sur la carte et non *pas* sur le connecteur du panneau arrière.



AVIS : Pour garantir une bonne température de fonctionnement de l'ordinateur, veillez à ne pas placer l'ordinateur trop près d'un mur ou d'un compartiment de rangement pouvant empêcher une bonne circulation de l'air autour du châssis. Pour plus d'informations, reportez-vous au Guide d'information sur le produit.


 **REMARQUE** : Avant d'installer tout périphérique ou logiciel qui n'a pas été livré avec votre ordinateur, lisez attentivement la documentation fournie avec le logiciel ou le périphérique ou contactez votre fournisseur, afin de vous assurer que le logiciel ou l'appareil est compatible avec votre ordinateur et votre système d'exploitation.

Votre ordinateur sera correctement configuré uniquement lorsque toutes ces étapes seront réalisées.

Reportez-vous aux illustrations appropriées qui suivent les instructions.

 **AVIS** : N'utilisez pas simultanément une souris PS/2 et une souris USB.

1 Branchez le clavier et la souris.


 **AVIS** : Ne branchez pas de câble modem dans le connecteur d'adaptateur réseau. En effet, la tension des communications téléphoniques risquerait de l'endommager.

2 Branchez le modem ou le câble réseau.

Insérez le câble réseau, et non la ligne téléphonique, dans le connecteur réseau. Si vous disposez d'un modem optionnel, connectez la ligne téléphonique à ce dernier.


3 Connectez le moniteur.


Alignez, puis insérez avec précaution le câble du moniteur de manière à ne pas tordre les broches du connecteur. Resserrez les vis moletées des connecteurs de câble.

 **REMARQUE** : Sur certains moniteurs, le connecteur vidéo est placé sous l'arrière de l'écran. Consultez la documentation fournie avec votre moniteur pour connaître les emplacements des connecteurs.

4 Branchez les haut-parleurs.

5 Branchez les câbles d'alimentation à l'ordinateur, au moniteur et aux périphériques, puis insérez les autres extrémités des câbles dans des prises électriques.

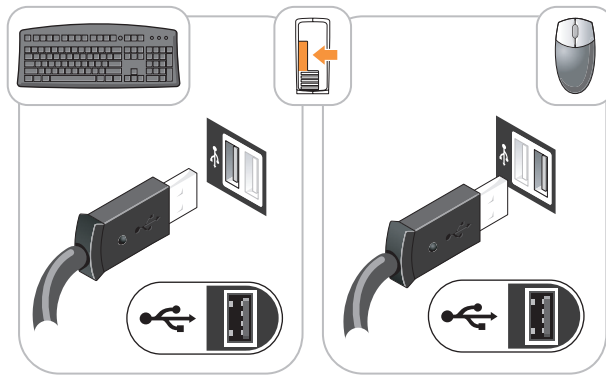
 **AVIS** : Si vous utilisez un sélecteur de tension manuel, réglez le sélecteur sur la tension la plus proche de l'alimentation en CA de votre région afin d'éviter d'endommager l'ordinateur.

 **AVIS** : Au Japon, le sélecteur de tension doit être placé en position 115 V même si la tension disponible au Japon est de 100 V.

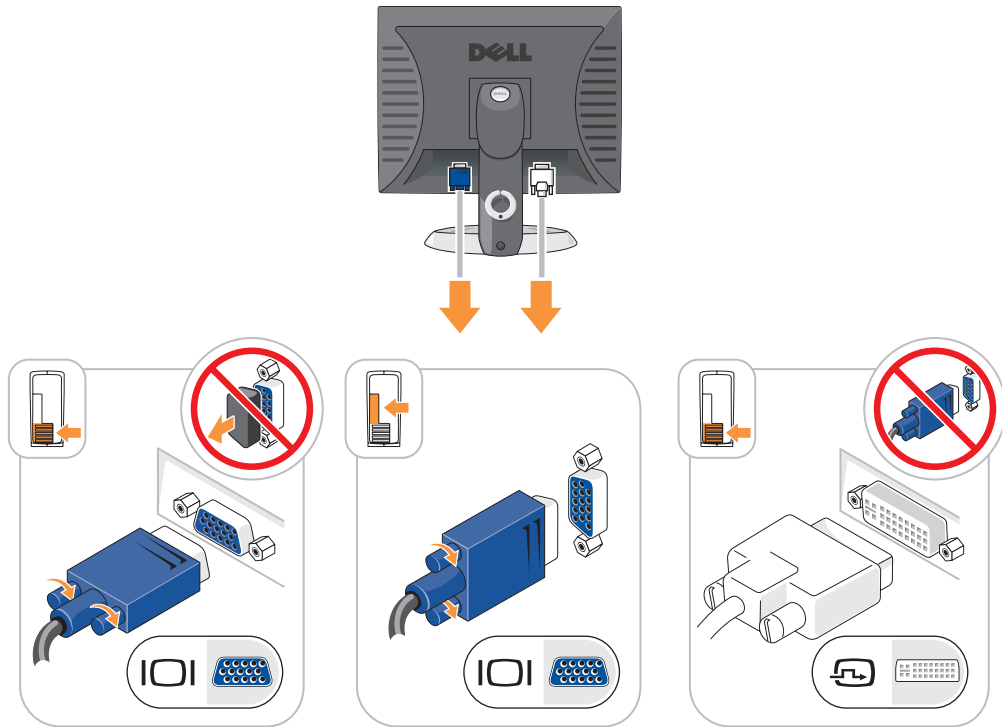
6 Vérifiez que le sélecteur de tension indique la tension appropriée à votre zone géographique.

Votre ordinateur est équipé d'un sélecteur de tension manuel. Les ordinateurs dotés d'un sélecteur de tension sur leur panneau arrière doivent être réglés manuellement, en fonction de la tension disponible.

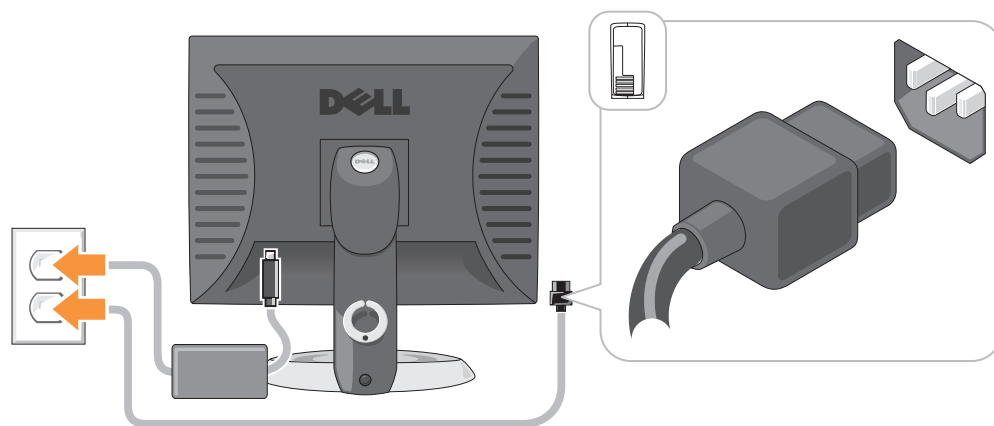
Installation du clavier et de la souris



Installation du moniteur



Connexions d'alimentation



Résolution des problèmes

Dell fournit un certain nombre d'outils qui vous aideront si votre ordinateur ne fonctionne pas de la manière escomptée. Pour obtenir les dernières informations sur le dépannage disponibles pour votre ordinateur, consultez le site Web du service de support de Dell à l'adresse support.dell.com.

Si des problèmes nécessitant l'aide de Dell surviennent, rédigez une description détaillée de l'erreur, des codes sonores ou des voyants de diagnostic ; notez votre code de service express et votre numéro de service ci-dessous, puis contactez Dell depuis l'endroit où se trouve votre ordinateur. Pour savoir comment contacter Dell, reportez-vous au *Guide d'utilisation* en ligne.

Pour obtenir un exemple de code de service express et de numéro de service, reportez-vous à la section « Recherche d'informations » du *Guide d'utilisation* de votre ordinateur.

Code de service express : _____

Numéro de service : _____

Dell Diagnostics

⚠ PRÉCAUTION : Avant de commencer toute procédure de cette section, consultez et respectez les consignes de sécurité du *Guide d'information sur le produit*.

Quand utiliser Dell Diagnostics

Si vous rencontrez des difficultés avec votre ordinateur, procédez aux vérifications décrites dans la section « Résolution des problèmes » du *Guide d'utilisation* en ligne et exécutez Dell Diagnostics avant de contacter Dell pour obtenir une assistance technique. Pour savoir comment contacter Dell, reportez-vous au *Guide d'utilisation* en ligne.

➡ AVIS : Dell Diagnostics ne fonctionne que sur les ordinateurs Dell™.

Ouvrez le programme de configuration du système (reportez-vous à la section « Programme de configuration du système » du *Guide d'utilisation* en ligne), étudiez les informations de configuration de votre ordinateur et vérifiez que le périphérique à tester apparaît dans le programme de configuration du système et qu'il est actif.

Démarrez Dell Diagnostics à partir du disque dur ou du CD *Drivers and Utilities (ResourceCD)* en option.

Démarrage de Dell Diagnostics à partir de votre disque dur

- 1 Mettez votre ordinateur sous tension (ou redémarrez-le).
- 2 Lorsque le logo DELL s'affiche, appuyez immédiatement sur <F12>.



REMARQUE : Si un message vous indique qu'aucune partition d'utilitaire de Dell Diagnostics n'a été trouvée, exécutez Dell Diagnostics à partir de votre CD *Drivers and Utilities* en option (reportez-vous à la section « Lancement de Dell Diagnostics à partir du CD Drivers and Utilities » à la page 107).

Si vous attendez trop longtemps et que le logo du système d'exploitation apparaît, patientez jusqu'à ce que le bureau de Microsoft® Windows® s'affiche. Ensuite, arrêtez votre ordinateur et faites une nouvelle tentative.

Lorsque la liste des périphériques d'amorçage apparaît, sélectionnez **Amorcer sur la partition de l'utilitaire** et appuyez sur <Entrée>.

- 3 Lorsque le menu principal de Dell Diagnostics s'affiche, sélectionnez le test à effectuer.

Lancement de Dell Diagnostics à partir du CD Drivers and Utilities

- 1 Insérez le CD *Drivers and Utilities*.
- 2 Arrêtez l'ordinateur et redémarrez-le.

Lorsque le logo DELL s'affiche, appuyez immédiatement sur <F12>.

Si vous n'avez pas appuyé sur la touche assez vite, le logo du système d'exploitation apparaît. Attendez jusqu'à ce que le bureau Microsoft Windows s'affiche. Ensuite, arrêtez votre ordinateur et faites une nouvelle tentative.



REMARQUE : Les étapes suivantes modifient la séquence d'amorçage pour une seule exécution. Au démarrage suivant, l'ordinateur démarre en fonction des périphériques définis dans le programme de configuration du système.

- 3 Lorsque la liste des périphériques d'amorçage s'affiche, sélectionnez le lecteur de CD/DVD et appuyez sur <Entrée>.
- 4 Sélectionnez l'option Lecteur de CD/DVD dans le menu d'amorçage du CD.
- 5 Sélectionnez l'option Amorcer à partir du lecteur de CD/DVD dans le menu qui s'affiche.
- 6 Entrez 1 pour lancer le menu du CD *Drivers and Utilities*.
- 7 Entrez 2 pour démarrer Dell Diagnostics.
- 8 Sélectionnez **Exécuter Dell Diagnostics 32 bits** dans la liste numérotée. Si plusieurs versions sont répertoriées, sélectionnez la version appropriée pour votre ordinateur.

9 Lorsque le menu principal de Dell Diagnostics s'affiche, sélectionnez le test à effectuer.


Menu principal de Dell Diagnostics

1 Une fois Dell Diagnostics chargé et lorsque l'écran **Menu principal** s'affiche, cliquez sur le bouton de l'option que vous souhaitez.

Option	Fonction
Express Test (Test rapide)	Exécute un test rapide des périphériques. Ce test dure généralement entre 10 et 20 minutes et n'exige pas d'action de votre part. Lancez le test rapide en premier pour trouver le problème plus rapidement.
Extended Test (Test approfondi)	Exécute un test approfondi des périphériques. En règle générale, ce test prend une heure ou plus et nécessite que vous répondiez régulièrement à des questions.
Custom Test (Test personnalisé)	Teste un périphérique spécifique. Vous pouvez personnaliser les tests à exécuter.
Symptom Tree (Arborescence des symptômes)	Répertorie les symptômes couramment rencontrés et permet de sélectionner un test en fonction du symptôme du problème.

2 Si un problème survient pendant un test, un message indiquant le code d'erreur et une description du problème s'affiche. Notez le code d'erreur et la description du problème et suivez les instructions à l'écran.

Si vous ne pouvez pas résoudre le problème, contactez Dell. Pour savoir comment contacter Dell, reportez-vous au *Guide d'utilisation* en ligne.

 **REMARQUE :** Le numéro de service de votre ordinateur est situé en haut de chaque écran de test. Lorsque vous contacterez le support technique de Dell, ce numéro de service vous sera demandé.

3 Si vous exécutez un test à partir de l'option **Custom Test** (Test personnalisé) ou **Symptom Tree** (Arborescence des symptômes), cliquez sur l'onglet approprié décrit dans le tableau suivant pour obtenir plus d'informations.

Onglet	Fonction
Résultats	Affiche les résultats du test et les conditions d'erreur rencontrées.
Erreurs	Affiche les conditions d'erreur rencontrées, les codes d'erreur et la description du problème.
Aide	Décrit le test et peut indiquer les conditions requises pour exécuter le test.
Configuration	Affiche la configuration matérielle du périphérique sélectionné. Dell Diagnostics obtient les informations de configuration de tous les périphériques à partir du programme de configuration du système, de la mémoire et de divers tests internes, et les affiche dans la liste des périphériques située dans le volet gauche de l'écran. La liste des périphériques risque de ne pas afficher les noms de tous les composants installés sur votre ordinateur ou de tous les périphériques reliés à celui-ci.
Paramètres	Vous pouvez personnaliser le test en modifiant ses paramètres.

- 4 Une fois les tests terminés, si vous exécutez Dell Diagnostics à partir du CD *Drivers and Utilities* (en option), retirez le CD.
- 5 Fermez l'écran de test pour revenir à l'écran **Menu principal**. Pour quitter Dell Diagnostics et redémarrer l'ordinateur, fermez l'écran **Menu principal**.

Voyants du système

Le voyant d'alimentation peut indiquer un problème avec l'ordinateur.

Voyant d'alimentation	Description du problème	Solution proposée
Vert fixe	L'ordinateur est allumé et fonctionne normalement.	Aucune action nécessaire.
Vert clignotant	L'ordinateur est en mode d'économie d'énergie.	Pour réactiver l'ordinateur, appuyez sur le bouton d'alimentation, déplacez la souris ou appuyez sur une touche du clavier.
Clignote vert plusieurs fois, puis s'éteint	Il s'agit d'une erreur de configuration.	Contrôlez les voyants de diagnostic pour savoir si le problème est identifié (reportez-vous à la section « Voyants de diagnostic » à la page 110).
Jaune fixe	Un périphérique de la carte système peut être défectueux ou installé de manière incorrecte ou le sélecteur de tension de l'alimentation peut être réglé de façon incorrecte.	Contrôlez les voyants de diagnostic pour savoir si le problème est identifié (reportez-vous à la section « Voyants de diagnostic » à la page 110). Reportez-vous à la section « Problèmes d'alimentation » du <i>Guide d'utilisation</i> en ligne. Si l'ordinateur ne démarre pas, contactez Dell pour obtenir une assistance technique. Pour savoir comment contacter Dell, reportez-vous au <i>Guide d'utilisation</i> en ligne.
Jaune clignotant	Une panne d'électricité ou une défaillance de la carte système s'est produite.	Contrôlez les voyants de diagnostic pour savoir si le problème est identifié (reportez-vous à la section « Voyants de diagnostic » à la page 110). Reportez-vous à la section « Problèmes d'alimentation » du <i>Guide d'utilisation</i> en ligne. Si l'ordinateur ne démarre pas, contactez Dell pour obtenir une assistance technique. Pour savoir comment contacter Dell, reportez-vous au <i>Guide d'utilisation</i> en ligne.
Vert fixe et code sonore durant le POST	Un problème a été détecté pendant l'exécution du BIOS.	Pour des instructions sur le diagnostic du code sonore, reportez-vous à la section « Codes sonores » à la page 112. Vérifiez également les voyants de diagnostic pour déterminer si le problème spécifique a été identifié.

Voyant d'alimentation	Description du problème	Solution proposée
Voyant d'alimentation vert fixe, aucun code sonore et aucune vidéo durant le POST	Le moniteur ou la carte graphique est peut-être défectueux ou mal installé.	Vérifiez les voyants de diagnostic pour voir si le problème en question est identifié.
Voyant d'alimentation vert fixe et aucun code sonore, mais l'ordinateur se verrouille durant le POST	Un dispositif de la carte système est peut-être défectueux.	Vérifiez les voyants de diagnostic pour voir si le problème en question est identifié. Si le problème n'est pas identifié, contactez Dell pour obtenir une assistance technique. Pour savoir comment contacter Dell, reportez-vous au <i>Guide d'utilisation</i> en ligne.

Voyants de diagnostic

⚠ PRÉCAUTION : Avant de commencer toute procédure de cette section, consultez et respectez les consignes de sécurité du *Guide d'information sur le produit*.

Afin de vous aider à résoudre les problèmes, l'ordinateur est équipé de quatre voyants situés sur le panneau avant ou arrière : « 1 », « 2 », « 3 » et « 4 ». Ces voyants peuvent être verts ou éteints. Lorsque l'ordinateur démarre normalement, le comportement ou les codes des voyants changent au fur et à mesure de l'avancement du processus de démarrage. Si la partie POST (autotest à la mise sous tension) du démarrage du système s'effectue correctement, les quatre voyants sont vert fixe pendant quelques instants, puis s'éteignent.

Si l'ordinateur ne fonctionne pas correctement lors du processus POST, le comportement des voyants peut vous aider à identifier l'origine du problème. Si l'ordinateur ne fonctionne pas correctement une fois le processus POST exécuté correctement, les voyants n'indiquent pas l'origine du problème.

✍ REMARQUE : L'orientation des voyants de diagnostic peut varier selon le type de système. Les voyants de diagnostic peuvent être orientés verticalement ou horizontalement.

Comportement des voyants	Description du problème	Solution proposée
① ② ③ ④	L'ordinateur est en condition d'arrêt normale ou une panne est survenue avant le BIOS. Les voyants de diagnostic ne sont pas allumés alors que le système d'exploitation de l'ordinateur s'est lancé correctement.	Raccordez l'ordinateur à une prise secteur qui fonctionne et appuyez sur le bouton d'alimentation.
① ② ③ ④	Échec éventuel du BIOS ; l'ordinateur est en mode Restauration.	Exécutez l'utilitaire de sauvegarde du BIOS, attendez que la restauration soit terminée et redémarrez l'ordinateur.
① ② ③ ④	Une défaillance du processeur semble s'être produite.	Réinstallez le processeur et redémarrez l'ordinateur. Pour des informations sur la réinstallation du processeur, reportez-vous au <i>Guide d'utilisation</i> en ligne.

Comportement des voyants	Description du problème	Solution proposée
① ② ③ ④	Les modules de mémoire sont détectés, mais une panne de mémoire est survenue.	<ul style="list-style-type: none"> • Si un module de mémoire est installé, réinstallez-le et redémarrez l'ordinateur. Pour des informations sur la réinstallation des modules de mémoire, reportez-vous au <i>Guide d'utilisation</i> en ligne. • Si au moins deux modules de mémoire sont installés, supprimez-les, réinstallez un module, puis redémarrez l'ordinateur. Si l'ordinateur redémarre normalement, réinstallez un autre module. Répétez cette procédure jusqu'à identification du module défectueux ou réinstallation de tous les modules sans erreur. • Installez correctement la mémoire de travail du même type sur votre ordinateur, si celle-ci est disponible. • Si le problème persiste, contactez Dell. Pour savoir comment contacter Dell, reportez-vous au <i>Guide d'utilisation</i> en ligne.
① ② ③ ④	Une défaillance de la carte graphique semble s'être produite.	<ul style="list-style-type: none"> • Si l'ordinateur possède une carte graphique, retirez-la, réinstallez-la, puis redémarrez l'ordinateur. • Si le problème persiste, installez une carte graphique qui fonctionne et redémarrez l'ordinateur. • Si le problème persiste ou que votre ordinateur dispose d'une carte graphique intégrée, contactez Dell. Pour savoir comment contacter Dell, reportez-vous au <i>Guide d'utilisation</i> en ligne.
① ② ③ ④	Panne possible de lecteur de disquette ou de disque dur.	Réinstallez tous les câbles de données et d'alimentation, puis redémarrez l'ordinateur.
① ② ③ ④	Panne USB possible.	Réinstallez tous les périphériques USB, vérifiez la connexion des câbles, puis redémarrez l'ordinateur.

Comportement des voyants	Description du problème	Solution proposée
① ② ③ ④	Aucun module de mémoire n'a été détecté.	<ul style="list-style-type: none"> • Si un module de mémoire est installé, réinstallez-le et redémarrez l'ordinateur. Pour des informations sur la réinstallation des modules de mémoire, reportez-vous au <i>Guide d'utilisation</i> en ligne. • Si au moins deux modules de mémoire sont installés, supprimez-les, réinstallez un module, puis redémarrez l'ordinateur. Si l'ordinateur redémarre normalement, réinstallez un autre module. Répétez cette procédure jusqu'à identification du module défectueux ou réinstallation de tous les modules sans erreur. • Installez correctement la mémoire de travail du même type sur votre ordinateur, si celle-ci est disponible. • Si le problème persiste, contactez Dell. Pour savoir comment contacter Dell, reportez-vous au <i>Guide d'utilisation</i> en ligne.
① ② ③ ④	Les modules de mémoire sont détectés, mais une erreur de configuration de mémoire ou de compatibilité est survenue.	<ul style="list-style-type: none"> • Vérifiez qu'il n'existe aucune exigence particulière de placement des modules et des connecteurs de mémoire. • Vérifiez que les modules de mémoire que vous installez sont compatibles avec votre ordinateur. • Si le problème persiste, contactez Dell. Pour savoir comment contacter Dell, reportez-vous au <i>Guide d'utilisation</i> en ligne.
① ② ③ ④	Une erreur est survenue. Cette séquence s'affiche également lorsque vous ouvrez le programme de configuration du système et n'est pas forcément significative d'un problème.	<ul style="list-style-type: none"> • Vérifiez que les câbles sont correctement connectés entre le disque dur, le lecteur de CD-ROM, le lecteur de DVD-ROM et la carte système. • Lisez le message qui s'affiche sur l'écran du moniteur. • Si le problème persiste, contactez Dell. Pour savoir comment contacter Dell, reportez-vous au <i>Guide d'utilisation</i> en ligne.

Codes sonores

Votre ordinateur peut émettre une série de signaux sonores lors du démarrage si le moniteur ne peut pas afficher les erreurs ou les problèmes éventuels. Cette série de signaux, appelés « codes sonores », permet d'identifier les problèmes de fonctionnement de l'ordinateur. Un des codes sonores possibles (code 1 3-1) est composé d'un signal, d'une série de trois signaux, puis d'un autre signal. Ce code sonore vous indique que l'ordinateur a rencontré un problème de mémoire.

Si votre ordinateur émet un signal lors du démarrage :

- 1 Notez le code sonore.
- 2 Pour identifier une cause plus sérieuse, reportez-vous à la section « Dell Diagnostics » à la page 106.
- 3 Contactez Dell pour obtenir une assistance technique. Pour savoir comment contacter Dell, reportez-vous au *Guide d'utilisation* en ligne.

Code	Cause	Code	Cause
1-1-2	Panne de registre du microprocesseur	3-1-4	Échec de registre de masque d'interruption esclave
1-1-3	Erreur de lecture/écriture en NVRAM	3-2-2	Échec de chargement du vecteur d'interruption
1-1-4	Échec du total des vérifications BIOS ROM	3-2-4	Échec du test de contrôleur de clavier
1-2-1	Erreur du temporisateur d'intervalles programmable	3-3-1	Perte d'alimentation de NVRAM
1-2-2	Échec d'initialisation du DMA (accès direct à la mémoire)	3-3-2	Configuration incorrecte de la NVRAM
1-2-3	Échec de lecture/écriture du registre des pages de DMA	3-3-4	Échec du test de la mémoire vidéo
1-3	Échec du test de la mémoire vidéo	3-4-1	Échec d'initialisation de l'écran
1-3-1 à 2-4-4	La mémoire n'est pas correctement identifiée ou utilisée	3-4-2	Échec de retraçage de l'écran
3-1-1	Échec de registre DMA esclave	3-4-3	Échec de recherche de ROM vidéo
3-1-2	Échec de registre DMA maître	4-2-1	Aucune impulsion d'horloge
3-1-3	Échec de registre de masque d'interruption maître	4-2-2	Échec de l'arrêt
4-2-3	Échec de la porte A20	4-4-1	Échec du test de port parallèle ou série
4-2-4	Interruption inattendue en mode protégé	4-4-2	Échec de décompression de code dans la mémoire en double
4-3-1	Échec de mémoire au-dessus de l'adresse 0FFFFh	4-4-3	Échec du test de coprocesseur mathématique
4-3-3	Panne du compteur 2 de puce de l'horloge	4-4-4	Échec du test de mémoire cache
4-3-4	Arrêt de l'horloge machine		

Résolution des incompatibilités logicielles et matérielles


Si un périphérique n'est pas détecté pendant la configuration du système d'exploitation ou est détecté mais n'est pas configuré correctement, utilisez le Dépanneur des conflits matériels pour résoudre cette incompatibilité.

- 1 Cliquez sur le bouton **Démarrer**, puis sur **Aide et support**.
- 2 Entrez **Dépanneur des conflits matériels** dans le champ **Rechercher**, puis cliquez sur la flèche pour lancer la recherche.

- 3 Cliquez sur **Dépanneur des conflits matériels** dans la liste **Résultats de la recherche**.
- 4 Dans la liste **Dépanneur des conflits matériels**, cliquez sur **Je dois résoudre un conflit matériel sur mon ordinateur**, puis sur **Suivant**.

Utilisation de la fonction Restauration du système Microsoft Windows XP


Le système d'exploitation Microsoft Windows XP comporte la fonction Restauration du système, qui vous permet de restaurer l'ordinateur à un état antérieur (sans affecter les fichiers de données) si les modifications apportées au matériel, aux logiciels ou aux paramètres du système empêchent l'ordinateur de fonctionner correctement. Consultez le Centre d'aide et de support Windows pour plus d'informations sur l'utilisation de la fonction Restauration du système. Pour accéder au Centre d'aide et de support de Windows, reportez-vous à la section « Centre d'aide et de support de Windows » à la page 66.

 **AVIS** : Sauvegardez régulièrement vos fichiers de données. La fonction Restauration du système ne contrôle pas vos fichiers de données et ne permet pas de les récupérer.

Création d'un point de restauration

- 1 Cliquez sur le bouton **Démarrer**, puis sur **Aide et support**.
- 2 Cliquez sur **Restauration du système**.
- 3 Suivez les instructions qui s'affichent.

Restauration de l'ordinateur à un état antérieur

 **AVIS** : Avant de restaurer l'ordinateur à un état antérieur, enregistrez et fermez tous les fichiers ouverts et quittez tous les programmes en cours d'exécution. Ne modifiez, n'ouvrez ou ne supprimez en aucun cas des fichiers ou des programmes tant que la restauration du système n'est pas terminée.

- 1 Cliquez sur le bouton **Démarrer**, pointez sur **Tous les programmes** → **Accessoires** → **Outils système**, puis cliquez sur **Restauration du système**.
- 2 Vérifiez que l'option **Restore my computer to an earlier time** (Restaurer mon ordinateur à une heure antérieure) est sélectionnée et cliquez sur **Suivant**.
- 3 Cliquez sur la date à laquelle vous souhaitez restaurer l'ordinateur.

L'écran **Sélectionner un point de restauration** affiche un calendrier vous permettant de sélectionner des points de restauration. Toutes les dates du calendrier comportant des points de restauration apparaissent en gras.

- 4 Sélectionnez un point de restauration et cliquez sur **Suivant**.

Si une date du calendrier contient un seul point de restauration, ce dernier est sélectionné automatiquement. Si plusieurs points de restauration sont disponibles, cliquez sur celui que vous souhaitez utiliser.


- 5 Cliquez sur **Suivant**.

L'écran **Restauration complète** apparaît une fois que la fonction Restauration du système termine la collecte de données et l'ordinateur redémarre.

- 6 Une fois l'ordinateur redémarré, cliquez sur **OK**.

Pour changer de point de restauration, répétez les étapes précédentes en utilisant un autre point de restauration ou annulez la restauration.

Annulation de la dernière restauration du système

 **AVIS** : Avant d'annuler la dernière restauration du système, enregistrez et fermez tous les fichiers ouverts et quittez tous les programmes en cours d'exécution. Ne modifiez, n'ouvrez ou ne supprimez en aucun cas des fichiers ou des programmes tant que la restauration du système n'est pas terminée.

- 1 Cliquez sur le bouton **Démarrer**, pointez sur **Tous les programmes** → **Accessoires** → **Outils système**, puis cliquez sur **Restauration du système**.
- 2 Cliquez sur **Annuler ma dernière restauration**, puis sur **Suivant**.
- 3 Cliquez sur **Suivant**.
L'écran **Restauration du système** apparaît et l'ordinateur redémarre.
- 4 Une fois l'ordinateur redémarré, cliquez sur **OK**.


Activation de la fonction Restauration du système

Si vous réinstallez Windows XP avec moins de 200 Mo d'espace disponible sur le disque dur, la fonction Restauration du système est automatiquement désactivée. Pour voir si la fonction Restauration du système est activée :

- 1 Cliquez sur le bouton **Démarrer**, puis sur **Panneau de configuration**.
- 2 Cliquez sur **Performances et maintenance**.
- 3 Cliquez sur **Système**.
- 4 Cliquez sur l'onglet **Restauration du système**.
- 5 Assurez-vous que l'option **Désactiver la restauration du système** n'est pas cochée.

Réinstallation de Microsoft Windows XP


Mise en route

 **REMARQUE** : Les procédures décrites dans ce document concernent la vue Windows par défaut dans Windows XP Home Edition ; les étapes diffèrent lorsque l'ordinateur Dell est défini sur la vue classique de Windows ou qu'il fonctionne sous Windows XP Professional.



Si vous souhaitez réinstaller le système d'exploitation Windows XP pour corriger un problème avec un nouveau pilote, utilisez tout d'abord la fonction Restauration des pilotes de périphériques.

- 1 Cliquez sur le bouton **Démarrer**, puis sur **Panneau de configuration**.
- 2 Sous **Choisissez une catégorie**, cliquez sur **Performances et maintenance**.
- 3 Cliquez sur **Système**.
- 4 Dans la fenêtre **Propriétés système**, cliquez sur l'onglet **Matériel**.
- 5 Cliquez sur **Gestionnaire de périphériques**.
- 6 Cliquez avec le bouton droit sur le périphérique pour lequel le nouveau pilote a été installé et cliquez sur **Propriétés**.
- 7 Cliquez sur l'onglet **Pilotes**.
- 8 Cliquez sur **Revenir à la version précédente**.

Si la fonction Restauration des pilotes de périphériques ne résout pas le problème, utilisez la fonction Restauration du système pour remettre votre système d'exploitation dans un état de fonctionnement antérieur à l'installation du nouveau pilote de périphérique (reportez-vous à la section « Utilisation de la fonction Restauration du système Microsoft Windows XP » à la page 114).

 **REMARQUE** : Le CD *Drivers and Utilities* contient les pilotes installés à l'assemblage de l'ordinateur. Utilisez le CD *Drivers and Utilities* pour charger les pilotes requis, notamment les pilotes requis dans le cas où votre ordinateur est doté d'un contrôleur RAID.

Réinstallation de Windows XP



-  **AVIS** : Vous devez utiliser Windows XP avec le Service Pack 1 ou ultérieur pour la réinstallation.
-  **AVIS** : Avant d'effectuer l'installation, sauvegardez tous les fichiers de données de votre disque dur principal. Dans le cas des configurations de disque dur conventionnelles, le disque dur principal correspond au premier disque dur détecté par l'ordinateur.

Pour réinstaller Windows XP, vous devez disposer des éléments suivants :

- CD *Operating System* de Dell
- CD *Drivers and Utilities*

Pour réinstaller Windows XP, suivez toutes les étapes des sections ci-après, dans l'ordre indiqué.

Le processus de réinstallation peut prendre de 1 à 2 heures. Après avoir réinstallé le système d'exploitation, vous devez également réinstaller les pilotes de périphériques, le programme antivirus et d'autres logiciels.

-  **AVIS** : Le CD *Operating System* offre des options de réinstallation pour Windows XP. Ces options peuvent remplacer des fichiers installés et avoir des répercussions sur les programmes installés sur votre disque dur. Par conséquent, ne réinstallez pas Windows XP à moins qu'un membre de l'équipe du support technique de Dell ne vous le demande.
-  **AVIS** : Pour éviter des conflits avec Windows XP, vous devez désactiver tout logiciel de protection antivirus installé sur l'ordinateur avant de réinstaller le système d'exploitation. Pour plus d'informations, consultez la documentation qui accompagne le logiciel.

Démarrage à partir du CD Operating System

- 1 Enregistrez et fermez tous les fichiers et les programmes ouverts.
- 2 Insérez le CD *Operating System*. Cliquez sur **Quitter** si le message **Install Windows XP** (Install Windows XP) apparaît.
- 3 Redémarrez l'ordinateur.
- 4 Appuyez sur <F12> dès l'apparition du logo DELL.
Si le logo du système d'exploitation apparaît, patientez jusqu'à l'affichage du bureau Windows, éteignez de nouveau l'ordinateur et faites une nouvelle tentative.
- 5 Utilisez les touches de direction pour sélectionner l'option **CD-ROM**, puis appuyez sur <Entrée>.
- 6 Appuyez sur une touche lorsque le message **Press any key to boot from CD** (Appuyez sur une touche pour démarrer depuis le CD-ROM) apparaît à l'écran.

Installation de Windows XP

- 1 Lorsque l'écran **Installation de Windows XP** apparaît, appuyez sur <Entrée> pour sélectionner **Pour installer Windows maintenant**.
- 2 Lisez les informations de la fenêtre **Contrat de licence Microsoft Windows**, puis appuyez sur la touche <F8> pour accepter les termes du contrat.
- 3 Si Windows XP est déjà installé sur votre ordinateur et que vous souhaitez récupérer vos données Windows XP actuelles, entrez **r** pour sélectionner l'option de réparation, puis retirez le CD.
- 4 Si vous souhaitez installer une nouvelle copie de Windows XP, appuyez sur <Échap> pour sélectionner cette option.
- 5 Appuyez sur <Entrée> pour sélectionner la partition en surbrillance (recommandé), puis suivez les instructions à l'écran.

L'écran **Installation de Windows XP** s'affiche et le système d'exploitation commence à copier les fichiers et à installer les périphériques. L'ordinateur redémarre automatiquement à plusieurs reprises.



REMARQUE : Le temps requis pour terminer l'installation dépend de la taille de votre disque dur et de la rapidité de votre ordinateur.



AVIS : N'appuyez sur aucune touche lorsque le message suivant s'affiche : **Press any key to boot from the CD** (Appuyez sur une touche pour démarrer à partir du CD).


- 6 Lorsque l'écran **Options régionales et linguistiques** s'affiche, sélectionnez les paramètres de votre région, puis cliquez sur **Suivant**.
- 7 Entrez votre nom et le nom de votre organisation (facultatif) dans l'écran **Personnaliser votre logiciel**, puis cliquez sur **Suivant**.
- 8 Entrez un nom pour votre ordinateur (ou acceptez le nom proposé) ainsi qu'un mot de passe lorsque la fenêtre **Nom de l'ordinateur et mot de passe Administrateur** s'affiche, puis cliquez sur **Suivant**.
- 9 Si l'écran **Informations de numérotation pour le modem** s'affiche, entrez les informations demandées et cliquez sur **Suivant**.
- 10 Entrez la date, l'heure et le fuseau horaire dans la fenêtre **Paramètres de date et d'heure**, puis cliquez sur **Suivant**.
- 11 Si l'écran **Paramètres de mise en réseau** s'affiche, cliquez sur **Type**, puis sur **Suivant**.
- 12 Si vous réinstallez Windows XP Professional et que vous êtes invité à fournir des informations complémentaires concernant votre configuration réseau, indiquez vos choix. Si vous n'êtes pas sûr de vos paramètres, acceptez les paramètres par défaut.
Windows XP installe les composants du système d'exploitation et configure l'ordinateur. L'ordinateur redémarre automatiquement.



AVIS : N'appuyez sur aucune touche lorsque le message suivant s'affiche : **Press any key to boot from the CD** (Appuyez sur une touche pour démarrer à partir du CD).


- 13 Lorsque l'écran **Bienvenue dans Microsoft** s'affiche, cliquez sur **Suivant**.
- 14 Lorsque le message **How will this computer connect to the Internet?** (Comment cet ordinateur sera-t-il connecté à Internet ?) apparaît, cliquez sur **Ignorer**.
- 15 Lorsque l'écran **Prêt à vous enregistrer auprès de Microsoft ?** apparaît, sélectionnez **Non**, pas cette fois-ci et cliquez sur **Suivant**.

- 16 Lorsque le message **Who will use this computer?** (Qui utilisera cet ordinateur ?) apparaît, vous pouvez entrer jusqu'à cinq utilisateurs.
- 17 Cliquez sur **Suivant**.
- 18 Cliquez sur **Terminer** pour terminer le programme d'installation et retirez le CD.
- 19 Réinstallez les pilotes appropriés à l'aide du CD *Drivers and Utilities*.
- 20 Réinstallez votre logiciel antivirus.
- 21 Réinstallez vos programmes.

 **REMARQUE** : Pour réinstaller et activer vos programmes Microsoft Office ou Microsoft Works Suite, il vous faut le numéro de Product Key (clé de produit) situé à l'arrière de la pochette du CD Microsoft Office ou Microsoft Works Suite.

Utilisation du CD *Drivers and Utilities*

Pour utiliser le CD *Drivers and Utilities* (également appelé *CD ResourceCD*) lorsque vous utilisez le système d'exploitation Windows.

 **REMARQUE** : Pour accéder aux pilotes de périphériques et à la documentation d'utilisation, vous devez utiliser le CD *Drivers and Utilities* lorsque vous utilisez Windows.

- 1 Allumez l'ordinateur et attendez que le bureau Windows s'affiche.
- 2 Insérez le CD *Drivers and Utilities* dans le lecteur de CD.

S'il s'agit de votre première utilisation du CD *Drivers and Utilities*, la fenêtre **Installation du CD ResourceCD** s'ouvre et vous indique que le CD *Drivers and Utilities* va commencer l'installation.

- 3 Cliquez sur **OK** pour continuer.
Pour terminer l'installation, suivez les invites du programme d'installation.
- 4 Dans l'écran **Bienvenue au propriétaire du système Dell**, cliquez sur **Suivant**.

Effectuez les sélections appropriées pour **Modèle de système**, **Système d'exploitation**, **Type de périphérique** et **Rubrique**.

Pilotes pour votre ordinateur

Pour afficher la liste des pilotes de périphériques appropriés à votre ordinateur :

- 1 Dans le menu déroulant **Rubrique**, cliquez sur **My Drivers** (Mes pilotes).
Le CD *Drivers and Utilities* (en option) analyse le système d'exploitation et les éléments matériels de votre ordinateur et affiche ensuite une liste de pilotes de périphériques pour la configuration de votre système.
- 2 Cliquez sur le pilote approprié et suivez les instructions pour le télécharger sur votre ordinateur.

Pour afficher tous les pilotes disponibles pour votre ordinateur, cliquez sur **Pilotes** dans le menu déroulant **Rubrique**.

Index

A

alimentation
voyant, 74, 78

C

capot
retrait, 84

carte mère. *Voir* carte système

carte système, 93, 96, 102

CD
système d'exploitation, 66

CD Drivers and Utilities, 65

CD Operating System, 66

Centre d'aide et de support, 66

codes sonores, 112

conflits
incompatibilités logicielles et matérielles, 113

conflits IRQ, 113

consignes de sécurité, 66

contrat de licence pour utilisateur final, 66

D

Dell Diagnostics, 106

dépannage

Centre d'aide et de support, 66

codes sonores, 112

conflits, 113

Dell Diagnostics, 106

Dépanneur des conflits matériels, 113

restaurer l'ordinateur à un état antérieur, 114

voyants de diagnostic, 110

voyants du système, 109

Dépanneur des conflits matériels, 113

diagnostics

codes sonores, 112

Dell Diagnostics, 106

documentation

contrat de licence pour utilisateur final, 66

en ligne, 67

ergonomie, 66

garantie, 66

Guide d'information sur le produit, 66

Guide d'utilisation, 65

réglementation, 66

sécurité, 66

E

étiquettes

Microsoft Windows, 67

numéro de service, 67

F

fichier d'aide
Centre d'aide et de support de Windows, 66

G

Guide d'information sur le produit, 66

Guide d'utilisation, 65

I

informations relatives à l'ergonomie, 66

informations relatives à la garantie, 66

informations sur les réglementations, 66

installation de pièces avant de commencer, 85

L

logiciel
conflits, 113

M

matériel
codes sonores, 112

- conflits, 113
- Dell Diagnostics, 106
- messages d'erreur
 - codes sonores, 112
 - voyants de diagnostic, 110
 - voyants du système, 109

N

- numéro de service, 67

P

- pilotes
 - liste des, 118
- problèmes. Voir *dépannage*

R

- réinstallation
 - Windows XP, 115
- Restauration du système, 114

S

- site du service de support de Dell, 67
- site Web du service de support, 67
- système d'exploitation
 - réinstallation, 66
 - réinstallation de Windows XP, 115

V

- voyant d'alimentation
 - diagnostics, 109
- voyants
 - alimentation, 74, 78
 - diagnostic, 110
 - système, 109

W

- Windows XP
 - Centre d'aide et de support, 66
 - Dépanneur des conflits
 - matériels, 113
 - installation, 117
 - réinstallation, 66, 115
 - Restauration du système, 114

Dell™ OptiPlex™ 745

Schnellreferenzhandbuch

Modelle DCTR, DCNE, DCSM und DCCY

www.dell.com | support.dell.com

Anmerkungen, Hinweise und Vorsichtshinweise



ANMERKUNG: Eine ANMERKUNG macht auf wichtige Informationen aufmerksam, die Ihnen die Arbeit mit dem Computer erleichtern.



HINWEIS: Ein HINWEIS warnt vor möglichen Beschädigungen der Hardware oder vor Datenverlust und erläutert, wie das vermieden werden kann.



VORSICHT: VORSICHT weist auf Gefahren hin, die zu Sachschäden, Personenschäden oder zum Tod führen können.

Wenn Sie einen Dell™-Computer der Serie N bezogen haben, sind alle in diesem Dokument vorkommenden Hinweise auf das Betriebssystem Microsoft® Windows® nicht zutreffend.

Die in diesem Dokument enthaltenen Informationen können sich ohne vorherige Ankündigungen ändern.

© 2006 Dell Inc. Alle Rechte vorbehalten.

Die Vervielfältigung oder Wiedergabe in jeglicher Weise ist ohne schriftliche Genehmigung von Dell Inc. strengstens untersagt.

In diesem Text verwendete Marken: *Dell*, das *DELL* Logo, *Inspiron*, *Dell Precision*, *Dimension*, *OptiPlex*, *Latitude*, *PowerEdge*, *PowerVault*, *PowerApp*, und *Dell OpenManage* sind Marken von Dell Inc.; *Intel*, *Pentium*, und *Celeron* sind eingetragene Marken der Intel Corporation; *Microsoft* und *Windows* sind eingetragene Marken der Microsoft Corporation.

Alle anderen in dieser Dokumentation genannten Marken- und Handelsbezeichnungen sind Eigentum der entsprechenden Hersteller und Firmen. Dell Inc. verzichtet auf alle Besitzrechte an Marken und Handelsbezeichnungen, die nicht Eigentum von Dell sind.

Modelle DCTR, DCNE, DCSM und DCCY

August 2006

Teilnr. KH287


Rev. A00

Inhalt

Informationsquellen	125
Systemansichten	128
Mini-Tower-Computer – Vorderansicht	128
Mini-Tower-Computer – Rückansicht	130
Mini-Tower-Computer – Anschlüsse an der Rückseite	131
Desktop-Computer – Vorderansicht	133
Desktop-Computer – Rückansicht	134
Desktop-Computer – Anschlüsse an der Rückseite	135
Small Form-Factor-Computer – Vorderansicht	137
Small Form-Factor-Computer – Rückansicht	138
Small Form-Factor-Computer – Anschlüsse an der Rückseite	139
Ultra Small Form Factor-Computer – Vorderansicht	141
Ultra Small Form Factor-Computer – Seitenansicht	142
Ultra Small Form Factor-Computer – Rückansicht	143
Ultra Small Form Factor-Computer – Anschlüsse an der Rückseite	143
Abnehmen der Computerabdeckung	145
Vorbereitung	145
Mini-Tower-Computer	146
Desktop-Computer	147
Small Form-Factor-Computer	148
Ultra Small Form Factor-Computer	150
Das Innere des Computers	152
Mini-Tower-Computer	152
Desktop-Computer	155
Small Form-Factor-Computer	158
Ultra Small Form Factor-Computer	161
Einrichten des Computers	163
Aufstellen von Tastatur und Maus	165
Anschließen des Bildschirms	165
Stromanschlüsse	166
Problemlösung	166
Dell Diagnostics	166
Systemanzeigen	169

Diagnoseanzeigen	170
Signaltoncodes	172
Beheben von Software- und Hardware-Inkompatibilitäten	173
Verwenden der Microsoft Windows XP-Systemwiederherstellung	174
Neuinstallation von Microsoft Windows XP	175
Verwenden der Drivers and Utilities CD	178
Treiber für Ihren Computer	179
 Stichwortverzeichnis	 181

Informationsquellen

 **ANMERKUNG:** Einige Leistungsmerkmale sind möglicherweise optional und werden nicht mit Ihrem Computer geliefert. Einige Funktionen oder Datenträger sind möglicherweise in bestimmten Ländern nicht verfügbar.

 **ANMERKUNG:** Zusätzliche Informationen werden eventuell mit dem Computer geliefert.

Wonach suchen Sie?

- Ein Diagnoseprogramm für den Computer
- Treiber für den Computer
- Dokumentation zu Ihrem Computer
- Dokumentation zu dem Gerät
- Desktop-System-Software (DSS)

Hier finden Sie das Gesuchte:

Drivers and Utilities CD (ResourceCD)

ANMERKUNG: Die *Drivers and Utilities* CD ist optional und ist möglicherweise nicht im Lieferumfang Ihres Computers enthalten.

Dokumentation und Treiber, sind bereits auf dem Computer installiert. Sie können diese CD verwenden, um Treiber zu installieren (siehe „Verwenden der Drivers and Utilities CD“ auf Seite 178), um Dell Diagnostics auszuführen (siehe „Dell Diagnostics“ auf Seite 166) oder um auf die Dokumentation zuzugreifen.



Möglicherweise finden Sie auf der CD Readme-Dateien. Diese Dateien enthalten Angaben zu den neuesten technischen Änderungen bzw. Detailinformationen zu technischen Fragen für erfahrene Benutzer oder Techniker.

ANMERKUNG: Treiber und Dokumentations-aktualisierungen finden Sie unter support.dell.com.

-
- Anleitungen zum Entfernen und Austauschen von Teilen
 - Technische Daten
 - Anleitungen zum Konfigurieren der Systemeinstellungen
 - Fehlerbehebung und Beheben von Störungen

Dell™ OptiPlex™ Benutzerhandbuch

Microsoft Windows XP Hilfe- und Supportcenter

- 1 Klicken Sie auf **Start** → **Hilfe und Support** → **Dell Dell Benutzer- und Systemhandbücher** → **Systemhandbücher**.
- 2 Klicken Sie auf das *Benutzerhandbuch* für Ihren Computer.

Das *Benutzerhandbuch* ist auch auf der optionalen *Drivers and Utilities* CD enthalten.

Wonach suchen Sie?

- Garantieinformationen
- Verkaufs- und Lieferbedingungen (nur für die USA)
- Sicherheitshinweise
- Zulassungsinformationen
- Informationen zur Ergonomie
- Enduser-Lizenzvereinbarung

Hier finden Sie das Gesuchte:

Dell™ Produktinformationshandbuch



-
- Anleitungen zur Neuinstallation des Betriebssystems

Betriebssystem-CD

ANMERKUNG: Die *Betriebssystem-CD* ist optional und ist möglicherweise nicht im Lieferumfang Ihres Computers enthalten.

Das Betriebssystem ist bereits auf dem Computer installiert. Verwenden Sie zur Neuinstallation des Betriebssystems die *Betriebssystem-CD* (siehe „Neuinstallation von Microsoft Windows XP“ auf Seite 175).



Verwenden Sie die optionale *Drivers and UtilitiesCD (ResourceCD)*, um die Treiber für die mit dem Computer ausgelieferten Geräte neu zu installieren, wenn Sie das Betriebssystem Ihres Computers neu installiert haben. Weitere Informationen finden Sie unter „Drivers and

Utilities CD (ResourceCD)“ auf Seite 125.

Das Etikett mit dem Product Key des Betriebssystems befindet sich auf Ihrem Computer (siehe „Service-Tag-Nummer und Microsoft® Windows® Product Key“ auf Seite 127).

ANMERKUNG: Die Farbe der *Betriebssystem-CD* hängt von dem von Ihnen bestellten Betriebssystem ab.

-
- Anleitungen zum Arbeiten unter Windows XP
 - Anweisung zum Arbeiten mit Programmen und Dateien
 - Anweisungen zum individuellen Gestalten Ihres Desktops

Windows Hilfe- und Supportcenter

- 1 Klicken Sie auf **Start** → **Hilfe und Support**.
- 2 Geben Sie ein Wort oder einen Ausdruck ein, das bzw. der Ihr Problem beschreibt, und klicken Sie anschließend auf das Pfeilsymbol.
- 3 Klicken Sie auf das Thema, das Ihr Problem beschreibt.
- 4 Folgen Sie den Anweisungen auf dem Bildschirm.

Wonach suchen Sie?

- Service-Tag-Nummer und Express-Servicecode
- Microsoft Windows-Product Key-Etikett

Hier finden Sie das Gesuchte:

Service-Tag-Nummer und Microsoft® Windows® Product Key

Die Aufkleber befinden sich an der Seite Ihres Computers.

- Geben Sie die Service-Tag-Nummer auf der Website support.dell.com oder beim Anruf beim Support an, um den Computer zu identifizieren.
- Geben Sie beim Anruf beim Technischen Support den Express-Servicecode an, um zum geeigneten Ansprechpartner weitergeleitet zu werden.



- Lösungen – Hinweise zum Beheben von Störungen, Veröffentlichungen von Technikern, Online-Schulungen, und häufig gestellte Fragen (FAQs)
- Community – Online-Diskussionen mit anderen Dell-Kunden
- Aufrüstungen – Informationen zu Aufrüstungen von Komponenten, wie z. B. Speicher, Festplatten und Betriebssysteme
- Kundenbetreuung – Kontaktinformationen, Serviceanfrage und Bestellstatus, Garantie- und Reparaturinformationen
- Service und Support – Status von Service-Anfragen und Support-Historie, Service-Kontakt sowie Online-Diskussionen mit dem technischen Support
- Referenz – Computer-Dokumentation, Einzelheiten über die Computerkonfiguration, Produktangaben und Whitepapers
- Downloads – Zugelassene Treiber, Patches und Software-Aktualisierungen
- Desktop System Software (DSS) (Desktop-System-Software) – Wenn Sie das Betriebssystem auf Ihrem Computer neu installieren, sollten Sie ebenfalls das DSS-Dienstprogramm neu installieren. DSS erkennt Ihren Computer und das darauf installierte Betriebssystem automatisch und installiert die für Ihre Konfiguration erforderlichen Aktualisierungen, die wichtige Aktualisierungen für Ihr Betriebssystem und die Unterstützung von Dell™ 3,5-Zoll-USB-Diskettenlaufwerken, Intel®-Prozessoren, optischen Laufwerken sowie USB-Geräten enthalten. DSS ist für den ordnungsmäßigen Betrieb des Dell Computers notwendig.

Dell Support-Website – support.dell.com

ANMERKUNG: Wählen Sie Ihre Region oder Ihren Geschäftsbereich um den zutreffenden Support-Standort zu sehen.

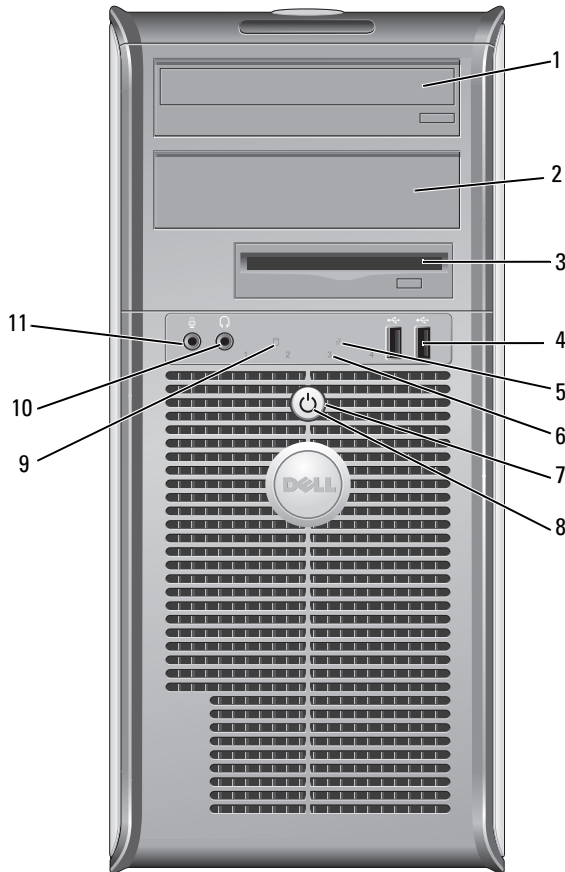
So laden Sie die Desktop-System-Software herunter:

- 1 Wählen Sie auf der Website support.dell.com Ihre Region oder Ihren Geschäftsbereich aus und geben Sie daraufhin Ihre Service-Tag-Nummer ein.
- 2 Wählen Sie **Treiber & Downloads** aus und klicken Sie auf **Los**.
- 3 Klicken Sie auf den Namen Ihres Betriebssystems und suchen Sie nach dem Stichwort *Desktop-System-Software*.



ANMERKUNG: Die support.dell.com Benutzeroberfläche ist je nach Ihrer Auswahl verschieden.

Systemansichten

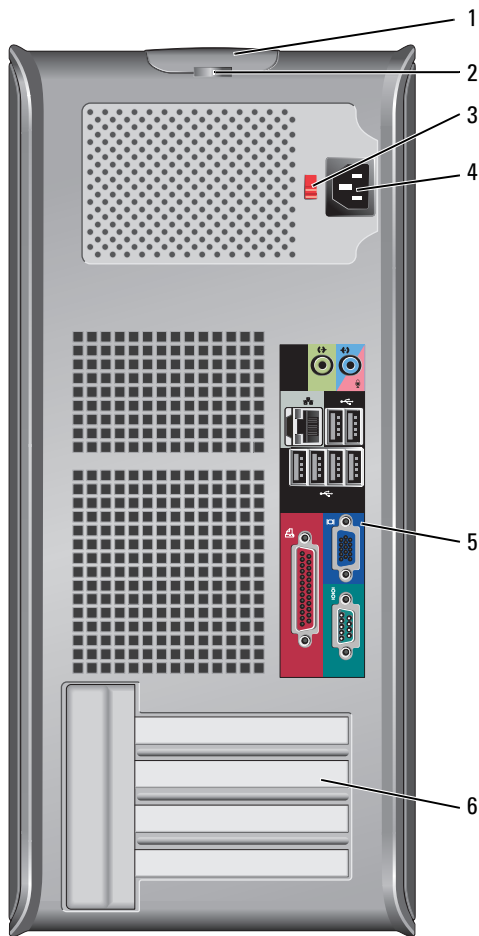
Mini-Tower-Computer – Vorderansicht



- | | | |
|---|---------------------------|--------------------------------------------------------------------------------------------------------------------|
| 1 | 5,25-Zoll-Laufwerkschacht | Kann ein optisches Laufwerk enthalten. Legen Sie eine CD oder eine DVD (falls unterstützt) in dieses Laufwerk ein. |
| 2 | 5,25-Zoll-Laufwerkschacht | Kann ein optisches Laufwerk enthalten. Legen Sie eine CD oder eine DVD (falls unterstützt) in dieses Laufwerk ein. |
| 3 | 3,5-Zoll-Laufwerkschacht | Kann ein optionales Diskettenlaufwerk oder ein optionales Media-Kartenlaufwerk enthalten. |

- 4 USB 2.0-Anschlüsse (2) Schließen Sie Geräte, die Sie nur gelegentlich nutzen, beispielsweise einen Joystick, eine Kamera oder startfähige USB-Geräte an die USB-Anschlüsse an der Vorderseite des Computers an. (Weitere Informationen zum Starten von einem USB-Gerät aus finden Sie in Ihrem *Online-Benutzerhandbuch*.
- Es wird empfohlen, die hinteren USB-Anschlüsse für Geräte zu verwenden, die normalerweise angeschlossen bleiben, wie z. B. Drucker und Tastaturen.
- 5 LAN-Anzeige Diese Anzeige zeigt an, dass eine LAN-Verbindung (lokale Netzwerkverbindung) aufgebaut wurde.
- 6 Diagnoseanzeigen Verwenden Sie die Anzeigen für eine leichtere Behebung von Störungen bei Computerproblemen auf der Grundlage des Diagnosecodes. Weitere Informationen erhalten Sie unter „Diagnoseanzeigen“ auf Seite 170.
- 7 Betriebsschalter Drücken Sie auf diese Schaltfläche, um den Computer einzuschalten.
-  **HINWEIS:** Um Datenverlust zu vermeiden, drücken Sie zum Ausschalten des Computers nicht den Betriebsschalter. Fahren Sie stattdessen das Betriebssystem herunter. Weitere Informationen finden Sie unter „Vorbereitung“ auf Seite 145.
-  **HINWEIS:** Wenn ACPI (Erweiterte Konfigurations- und Energieverwaltungsschnittstelle) beim Betriebssystem aktiviert ist, fährt der Computer das Betriebssystem herunter, wenn Sie den Betriebsschalter drücken.
- 8 Stromversorgungslicht Die Stromversorgungsanzeige leuchtet und blinkt oder leuchtet stetig, um verschiedene Betriebsmodi anzuzeigen.
- Leuchtet nicht – der Computer ist ausgeschaltet.
 - Stetig grün – der Computer befindet sich in einem normalen Betriebsmodus.
 - Blinkt grün – der Computer befindet sich in einem Energiesparmodus.
 - Blinkt oder stetig gelb – Weitere Informationen finden Sie in Ihrem *Online-Benutzerhandbuch*.
- Zum Beenden des Energiesparmodus drücken Sie den Betriebsschalter, oder verwenden Sie die Tastatur oder die Maus, sofern diese im Geräte-Manager unter Windows als Aufweckgerät konfiguriert wurde. Weitere Informationen zu den Ruhezuständen und zum Beenden eines Energiesparmodus finden Sie in Ihrem *Online-Benutzerhandbuch*.
- Lesen Sie die Beschreibung der Codes unter „Systemanzeigen“ auf Seite 169, die Ihnen die Fehlersuche im Computer erleichtern.
- 9 Festplatten-Aktivitätsleuchte Diese Anzeige flackert, wenn auf das Festplattenlaufwerk zugegriffen wird.
- 10 Kopfhöreranschluss Sie können den Kopfhöreranschluss zum Anschließen von Kopfhörern und den meisten Arten von Lautsprechern verwenden.
- 11 Mikrofonanschluss Verwenden Sie den Mikrofonanschluss, um ein Mikrofon anzuschließen.

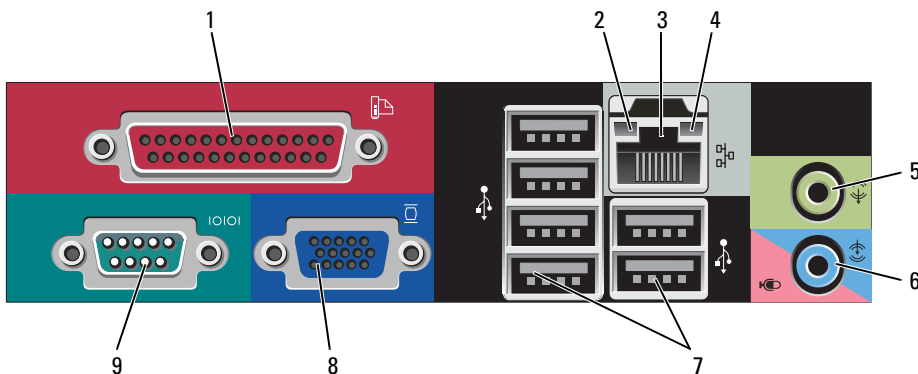
Mini-Tower-Computer – Rückansicht



- 1 Abdeckungs-
freigabevorrichtung Mithilfe dieser Vorrichtung können Sie die Computerabdeckung öffnen.
- 2 Halbringförmiger Bügel
für ein Vorhängeschloss Bringen Sie ein Vorhängeschloss an, um die Computerabdeckung zu verriegeln.

- 3 Spannungswahlschalter Ihr Computer ist mit einem manuellen Spannungswahlschalter ausgestattet. Um die Beschädigung eines Computers mit einem manuellen Spannungswahlschalter zu verhindern, stellen Sie den Schalter auf die Spannung ein, die der Wechselspannung an Ihrem Standort am ehesten entspricht.
- ➡ **HINWEIS:** Obwohl die Versorgungsspannung in Japan nur 100 V beträgt, müssen am Spannungswahlschalter 115 V eingestellt sein.
- Stellen Sie sicher, dass der Monitor und die angeschlossenen Geräte mit der verfügbaren Netzspannung betrieben werden können.
- 4 Stromanschluss Stecken Sie das Stromversorgungskabel ein.
- 5 Anschlüsse an der Rückseite Schließen Sie serielle, USB- und andere Geräte an die jeweiligen Anschlüsse an (siehe „Mini-Tower-Computer – Anschlüsse an der Rückseite“ auf Seite 131).
- 6 Kartensteckplätze Anschlüsse für installierte PCI- oder PCI-Express-Karten.

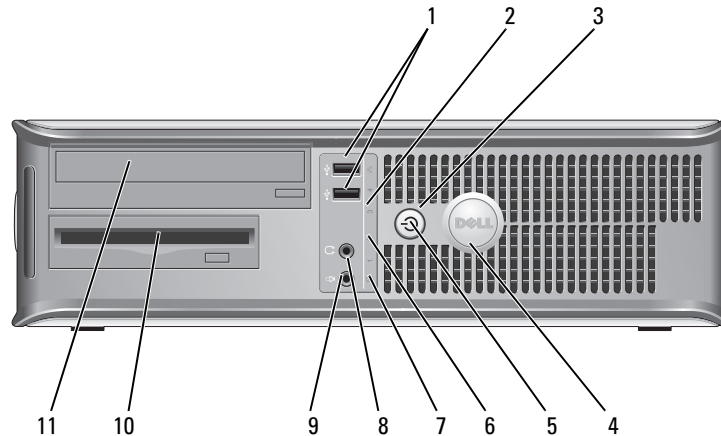
Mini-Tower-Computer – Anschlüsse an der Rückseite



- 1 Paralleler Anschluss Schließen Sie ein paralleles Gerät, wie z. B. einen Drucker, an den parallelen Anschluss an. Wenn Sie einen USB-Drucker haben, schließen Sie ihn an einem USB-Anschluss an.
ANMERKUNG: Der integrierte parallele Anschluss wird automatisch deaktiviert, wenn der Computer eine installierte Karte mit einem parallelen Anschluss ermittelt, der für die gleiche Adresse konfiguriert wurde. Weitere Informationen hierzu finden Sie in Ihrem Online-Benutzerhandbuch.
- 2 Verbindungsintegritätsanzeige
- Grün – Es besteht eine gute Verbindung zwischen einem 10-Mbit/s-Netzwerk und dem Computer.
 - Orange – Es besteht eine gute Verbindung zwischen einem 100-Mbit/s-Netzwerk und dem Computer.
 - Gelb – Es besteht eine gute Verbindung zwischen einem 1-Gbit/s- (oder 1000-Mbit/s-) Netzwerk und dem Computer.
 - Off (Deaktiviert) – Der Computer ermittelt keine physische Verbindung zum Netzwerk.

- 3 Netzwerkadapterschluss
anschluss
- Um den Computer an ein Netzwerk oder Breitbandgerät anzuschließen, stecken Sie ein Ende eines Netzkabels in eine Netzbuchse oder in das Netzwerk- oder Breitbandgerät. Verbinden Sie das andere Ende des Netzkabels mit dem Netzkadapterschluss an der Rückseite Ihres Computers. Ein Klicken zeigt an, dass das Netzkabel sicher angeschlossen wurde.
- ANMERKUNG:** Schließen Sie kein Telefonkabel an den Netzwerkanschluss an.
- Bei Computern mit einer Netzwerkanschluss-Karte verwenden Sie den Anschluss auf der Karte.
- Es wird empfohlen, dass Sie Verkabelungen und Anschlüsse der Kategorie 5 für Ihr Netzwerk verwenden. Wenn Sie eine Verkabelung der Kategorie 3 verwenden müssen, setzen Sie die Netzwerkgeschwindigkeit auf 10 MB/s, um einen zuverlässigen Betrieb zu gewährleisten.
- 4 Netzwerk-Aktivitätsleuchte
- Die gelbe Anzeige blinkt, wenn der Computer Netzwerkdaten sendet oder empfängt. Hohe Netzwerkbelastung hat möglicherweise zur Folge, dass diese Anzeige stetig leuchtet.
- 5 Leitungsausgangsanschluss
- Verwenden Sie den grünen Leitungsausgangsanschluss, um die meisten Lautsprechertypen mit integrierten Verstärkern anzuschließen.
- 6 Leitungseingang/Mikrofonanschluss
- Verwenden Sie die blauen und rosafarbenen Leitungseingänge/Mikrofonanschlüsse, um ein Aufnahme-/Wiedergabegerät wie z.B. einen Kassettenspieler, einen CD-Player oder einen Videorecorder anzuschließen. Oder schließen Sie ein Personalcomputer-Mikrofon für Sprach- oder Musikeingabe über ein Sound- oder Telefonieprogramm an.
- 7 USB 2.0-Anschlüsse (6)
- Verwenden Sie die hinteren USB-Anschlüsse für Geräte, die normalerweise angeschlossen bleiben, wie z. B. Drucker und Tastaturen.
- 8 Monitoranschluss
- Stecken Sie das Kabel Ihres VGA-kompatiblen Monitors in den blauen Anschluss.
- ANMERKUNG:** Wenn bei der Lieferung bereits eine Grafikkarte installiert ist, ist dieser Anschluss mit einer Abdeckung versehen. Schließen Sie Ihren Bildschirm an den Anschluss auf der Grafikkarte an. Entfernen Sie nicht die Abdeckkappen.
- ANMERKUNG:** Wenn Sie eine Grafikkarte verwenden, die zwei Bildschirme unterstützt, verwenden Sie das im Lieferumfang des Computers enthaltene Y-Kabel.
- 9 Serieller Anschluss
- Schließen Sie ein seriellles Gerät, wie z. B. ein Handheld, an den seriellen Anschluss an. Die Standardbezeichnung für den ersten seriellen Anschluss ist COM1 und für den zweiten seriellen Anschluss COM2.
- Weitere Informationen finden Sie in Ihrem *Online-Benutzerhandbuch*.

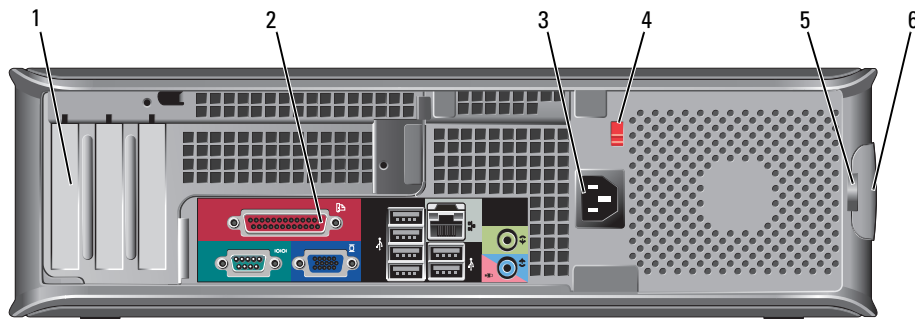
Desktop-Computer – Vorderansicht



- 1 USB 2.0-Anschlüsse (2) Schließen Sie Geräte, die Sie nur gelegentlich nutzen, beispielsweise einen Joystick, eine Kamera oder startfähige USB-Geräte an die USB-Anschlüsse an der Vorderseite des Computers an. (Weitere Informationen zum Starten von einem USB-Gerät aus finden Sie in Ihrem *Online-Benutzerhandbuch*).
Es wird empfohlen, die hinteren USB-Anschlüsse für Geräte zu verwenden, die normalerweise angeschlossen bleiben, wie z. B. Drucker und Tastaturen.
- 2 LAN-Anzeige Diese Anzeige zeigt an, dass eine LAN-Verbindung (lokale Netzwerkverbindung) aufgebaut wurde.
- 3 Betriebsschalter Drücken Sie auf diese Schaltfläche, um den Computer einzuschalten.
 - ➔ **HINWEIS:** Um Datenverlust zu vermeiden, drücken Sie zum Ausschalten des Computers nicht den Betriebsschalter. Fahren Sie stattdessen das Betriebssystem herunter. Weitere Informationen finden Sie unter „Vorbereitung“ auf Seite 145.
 - ➔ **HINWEIS:** Wenn ACPI (Erweiterte Konfigurations- und Energieverwaltungsschnittstelle) beim Betriebssystem aktiviert ist, fährt der Computer das Betriebssystem herunter, wenn Sie den Betriebsschalter drücken.
- 4 Dell-Emblem Dieses Emblem lässt sich drehen, um der Orientierung Ihres Computers zu entsprechen. Legen Sie zum Drehen Ihre Finger außen um das Emblem, drücken Sie fest und drehen Sie das Emblem. Sie können das Emblem auch drehen, indem Sie den Schlitz nahe der Emblemunterseite verwenden.

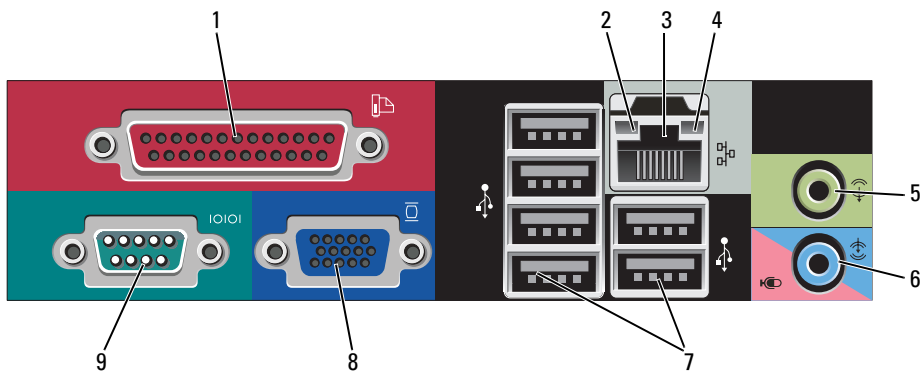
- 5 Stromversorgungsanzeige Die Stromversorgungsanzeige leuchtet und blinkt oder leuchtet stetig, um verschiedene Betriebsmodi anzuzeigen.
- Leuchtet nicht – der Computer ist ausgeschaltet.
 - Stetig grün – der Computer befindet sich in einem normalen Betriebsmodus.
 - Blinkt grün – der Computer befindet sich in einem Energiesparmodus.
 - Blinkt oder stetig gelb – Weitere Informationen finden Sie in Ihrem *Online-Benutzerhandbuch*.
- Zum Beenden des Energiesparmodus drücken Sie den Betriebsschalter, oder verwenden Sie die Tastatur oder die Maus, sofern diese im Geräte-Manager unter Windows als Aufweckgerät konfiguriert wurde. Weitere Informationen zu den Ruhezuständen und zum Beenden eines Energiesparmodus finden Sie in Ihrem *Online-Benutzerhandbuch*.
- Lesen Sie die Beschreibung der Codes unter „Systemanzeigen“ auf Seite 169, die Ihnen die Fehlersuche im Computer erleichtern.
- 6 Diagnoseanzeigen Verwenden Sie die Anzeigen für eine leichtere Behebung von Störungen bei Computerproblemen auf der Grundlage des Diagnosecodes. Weitere Informationen hierzu finden Sie in „Diagnoseanzeigen“ auf Seite 170.
- 7 Festplatten-Aktivitätsleuchte Diese Anzeige flackert, wenn auf das Festplattenlaufwerk zugegriffen wird.
- 8 Kopfhöreranschluss Sie können den Kopfhöreranschluss zum Anschließen von Kopfhörern und den meisten Arten von Lautsprechern verwenden.
- 9 Mikrofonanschluss Verwenden Sie den Mikrofonanschluss, um ein Mikrofon anzuschließen.
- 10 3,5-Zoll-Laufwerkschacht Kann ein optionales Diskettenlaufwerk oder ein optionales Media-Kartenlaufwerk enthalten.
- 11 5,25-Zoll-Laufwerkschacht Kann ein optisches Laufwerk enthalten. Legen Sie eine CD oder eine DVD (falls unterstützt) in dieses Laufwerk ein.

Desktop-Computer – Rückansicht



- | | | |
|---|------------------------------------------------|------------------------------------------------------------------------------------------------------------------------------------------------------------------------------------------------------------------------------------------------------------------------------------------|
| 1 | Kartensteckplätze | Anschlüsse für installierte PCI- oder PCI-Express-Karten. |
| 2 | Anschlüsse an der Rückseite | Schließen Sie serielle, USB- und andere Geräte an die jeweiligen Anschlüsse an (siehe „Desktop-Computer – Anschlüsse an der Rückseite“ auf Seite 135). |
| 3 | Stromanschluss | Stecken Sie das Stromversorgungskabel ein. |
| 4 | Spannungswahlschalter | Ihr Computer ist mit einem manuellen Spannungswahlschalter ausgestattet.
Um die Beschädigung eines Computers mit einem manuellen Spannungswahlschalter zu verhindern, stellen Sie den Schalter auf die Spannung ein, die der Wechselspannung an Ihrem Standort am ehesten entspricht. |
| | | ➡ HINWEIS: Obwohl die Versorgungsspannung in Japan nur 100 V beträgt, müssen am Spannungswahlschalter 115 V eingestellt sein. |
| | | Stellen Sie sicher, dass der Monitor und die angeschlossenen Geräte mit der verfügbaren Netzspannung betrieben werden können. |
| 5 | Halbringförmiger Bügel für ein Vorhängeschloss | Bringen Sie ein Vorhängeschloss an, um die Computerabdeckung zu verriegeln. |
| 6 | Abdeckungs-freigabevorrichtung | Ermöglicht das Öffnen der Computerabdeckung. |

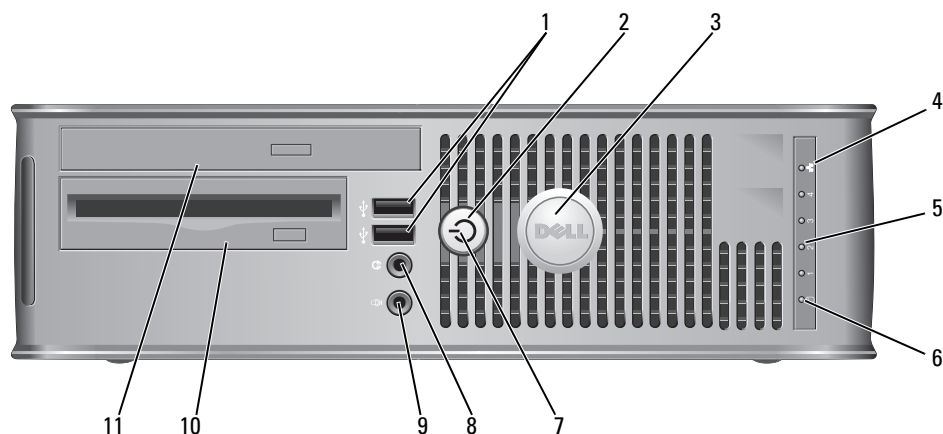
Desktop-Computer – Anschlüsse an der Rückseite



- | | | |
|---|----------------------|------------------------------------------------------------------------------------------------------------------------------------------------------------------------------------------------------------------------------------------------------------------------------------------------------------------------------------------------------------------------------------------------------------------------------------------------------------------------------------------|
| 1 | Paralleler Anschluss | Schließen Sie ein paralleles Gerät, wie z. B. einen Drucker, an den parallelen Anschluss an. Wenn Sie einen USB-Drucker haben, schließen Sie ihn an einem USB-Anschluss an.
ANMERKUNG: Der integrierte parallele Anschluss wird automatisch deaktiviert, wenn der Computer eine installierte Karte mit einem parallelen Anschluss ermittelt, der für die gleiche Adresse konfiguriert wurde. Weitere Informationen hierzu finden Sie in Ihrem <i>Online-Benutzerhandbuch</i> . |
|---|----------------------|------------------------------------------------------------------------------------------------------------------------------------------------------------------------------------------------------------------------------------------------------------------------------------------------------------------------------------------------------------------------------------------------------------------------------------------------------------------------------------------|

- 2 Verbindungsintegritäts-
anzeige
- Grün – Es besteht eine gute Verbindung zwischen einem 10-Mbit/s-Netzwerk und dem Computer.
 - Orange – Es besteht eine gute Verbindung zwischen einem 100-Mbit/s-Netzwerk und dem Computer.
 - Gelb – Es besteht eine gute Verbindung zwischen einem 1-Gbit/s- (oder 1000-Mbit/s-) Netzwerk und dem Computer.
 - Off (Deaktiviert) – Der Computer ermittelt keine physische Verbindung zum Netzwerk.
- 3 Netzwerkadapteranschluss
- Um den Computer an ein Netzwerk oder Breitbandgerät anzuschließen, stecken Sie ein Ende eines Netzkabels in eine Netzkorbuchse oder in das Netzwerk- oder Breitbandgerät. Verbinden Sie das andere Ende des Netzkabels mit dem Netzwerkadapteranschluss an der Rückseite Ihres Computers. Ein Klicken zeigt an, dass das Netzkabel sicher angeschlossen wurde.
- ANMERKUNG: Schließen Sie kein Telefonkabel an den Netzwerkanschluss an.**
- Bei Computern mit einer Netzwerkanschluss-Karte verwenden Sie den Anschluss auf der Karte.
- Es wird empfohlen, dass Sie Verkabelungen und Anschlüsse der Kategorie 5 für Ihr Netzwerk verwenden. Wenn Sie eine Verkabelung der Kategorie 3 verwenden müssen, setzen Sie die Netzwerkgeschwindigkeit auf 10 MB/s, um einen zuverlässigen Betrieb zu gewährleisten.
- 4 Netzwerk-Aktivitätsleuchte
- Die gelbe Anzeige blinkt, wenn der Computer Netzwerkdaten sendet oder empfängt. Hohe Netzwerkbelastung hat möglicherweise zur Folge, dass diese Anzeige stetig leuchtet.
- 5 Leitungsausgangsanschluss
- Verwenden Sie den grünen Leitungsausgangsanschluss, um die meisten Lautsprechertypen mit integrierten Verstärkern anzuschließen.
- 6 Leitungseingang/Mikrofonanschluss
- Verwenden Sie die blauen und rosafarbenen Leitungseingänge/Mikrofonanschlüsse, um ein Aufnahme-/Wiedergabegerät wie z.B. einen Kassettenspieler, einen CD-Player oder einen Videorecorder anzuschließen. Oder schließen Sie ein Personalcomputer-Mikrofon für Sprach- oder Musikeingabe über ein Sound- oder Telefonieprogramm an.
- 7 USB 2.0-Anschlüsse (6)
- Verwenden Sie die hinteren USB-Anschlüsse für Geräte, die normalerweise angeschlossen bleiben, wie z. B. Drucker und Tastaturen.
- 8 Monitoranschluss
- Stecken Sie das Kabel Ihres VGA-kompatiblen Monitors in den blauen Anschluss.
- ANMERKUNG: Wenn bei der Lieferung bereits eine Grafikkarte installiert ist, ist dieser Anschluss mit einer Abdeckung versehen. Schließen Sie Ihren Bildschirm an den Anschluss auf der Grafikkarte an. Entfernen Sie nicht die Abdeckkappen.**
- ANMERKUNG: Wenn Sie eine Grafikkarte verwenden, die zwei Bildschirme unterstützt, verwenden Sie das im Lieferumfang des Computers enthaltene Y-Kabel.**
- 9 Serieller Anschluss
- Schließen Sie ein seriellles Gerät, wie z. B. ein Handheld, an den seriellen Anschluss an. Die Standardbezeichnung für den ersten seriellen Anschluss ist COM1 und für den zweiten seriellen Anschluss COM2.
- Weitere Informationen finden Sie in Ihrem *Online-Benutzerhandbuch*.

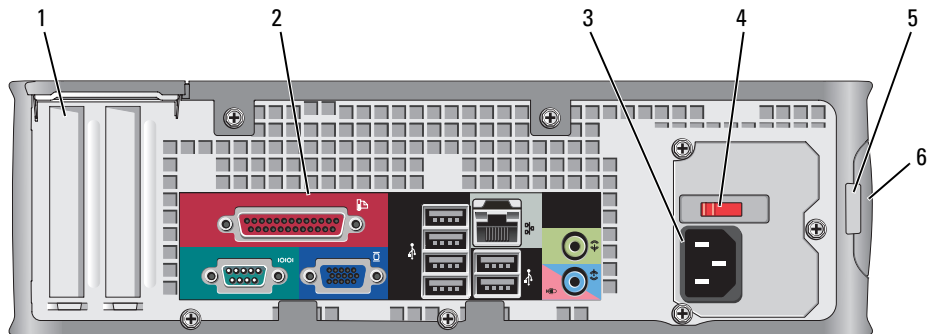
Small Form-Factor-Computer – Vorderansicht



- | | | |
|---|-------------------------------|------------------------------------------------------------------------------------------------------------------------------------------------------------------------------------------------------------------------------------------------------------------------------------------------------------------------------------------------------------------------------------------------------------------------------------------------------------------------------------------------------------------------------------------------------|
| 1 | USB 2.0-Anschlüsse (2) | <p>Schließen Sie Geräte, die Sie nur gelegentlich nutzen, beispielsweise einen Joystick, eine Kamera oder startfähige USB-Geräte an die USB-Anschlüsse an der Vorderseite des Computers an. (Weitere Informationen zum Starten von einem USB-Gerät aus finden Sie in Ihrem <i>Online-Benutzerhandbuch</i>.</p> <p>Es wird empfohlen, die hinteren USB-Anschlüsse für Geräte zu verwenden, die normalerweise angeschlossen bleiben, wie z. B. Drucker und Tastaturen.</p> |
| 2 | Betriebsschalter | <p>Drücken Sie den Netzschalter, um den Computer zu starten.</p> <p>➔ HINWEIS: Um Datenverlust zu vermeiden, drücken Sie zum Ausschalten des Computers nicht den Betriebsschalter. Fahren Sie stattdessen das Betriebssystem herunter. Weitere Informationen finden Sie unter „Vorbereitung“ auf Seite 145.</p> <p>➔ HINWEIS: Wenn ACPI (Erweiterte Konfigurations- und Energieverwaltungsschnittstelle) beim Betriebssystem aktiviert ist, fährt der Computer das Betriebssystem herunter, wenn Sie den Betriebsschalter drücken.</p> |
| 3 | Dell-Emblem | <p>Kann entsprechend der Ausrichtung Ihres Computers gedreht werden. Legen Sie zum Drehen Ihre Finger außen um das Emblem, drücken Sie fest und drehen Sie das Emblem. Sie können das Emblem auch drehen, indem Sie den Schlitz nahe der Emblemunterseite verwenden.</p> |
| 4 | LAN-Anzeige | <p>Zeigt an, dass eine LAN-Verbindung (lokale Netzwerkverbindung) aufgebaut wurde.</p> |
| 5 | Diagnoseanzeigen | <p>Verwenden Sie die Anzeigen für eine leichtere Behebung von Störungen bei Computerproblemen auf der Grundlage des Diagnosecodes. Weitere Informationen erhalten Sie unter „Diagnoseanzeigen“ auf Seite 170.</p> |
| 6 | Festplatten-Aktivitätsleuchte | <p>Diese Anzeige flackert, wenn auf das Festplattenlaufwerk zugegriffen wird.</p> |

- | | | |
|----|---------------------------|-------------------------------------------------------------------------------------------------------------------------------------------------------------------------------------------------------------------------------------------------------------------------------------------------------------------------------------------------------------------------------------------------------------------------------------------------------------------------------------------------------------------------------------------------------------------------------------------------------------------------------------------------------------------------------------------------------------------------------------------------------------------------------------------------------------------------------------------------------------------------------------------------------------------------------------------------------------------------------------------------------|
| 7 | Stromversorgungsanzeige | <p>Die Stromversorgungsanzeige leuchtet und blinkt oder leuchtet stetig, um verschiedene Betriebsmodi anzuzeigen.</p> <ul style="list-style-type: none"> • Leuchtet nicht – der Computer ist ausgeschaltet. • Stetig grün – der Computer befindet sich in einem normalen Betriebsmodus. • Blinkt grün – Der Computer befindet sich in einem Energiesparmodus. • Blinkt oder stetig gelb – Weitere Informationen finden Sie in Ihrem <i>Online-Benutzerhandbuch</i>. <p>Zum Beenden des Energiesparmodus drücken Sie den Betriebsschalter, oder verwenden Sie die Tastatur oder die Maus, sofern diese im Geräte-Manager unter Windows als Aufweckergerät konfiguriert wurde. Weitere Informationen zu den Ruhezuständen und zum Beenden eines Energiesparmodus finden Sie in Ihrem <i>Online-Benutzerhandbuch</i>.</p> <p>Siehe „Systemanzeigen“ auf Seite 169 für eine Beschreibung der Lichtcodes, die Ihnen die Fehlersuche im Computer erleichtern.</p> |
| 8 | Kopfhöreranschluss | Sie können den Kopfhöreranschluss zum Anschließen von Kopfhörern und den meisten Arten von Lautsprechern verwenden. |
| 9 | Mikrofonanschluss | Verwenden Sie den Mikrofonanschluss, um ein Mikrofon anzuschließen. |
| 10 | 3,5-Zoll-Laufwerkschacht | Kann ein optionales Diskettenlaufwerk oder ein optionales Media-Kartenlaufwerk enthalten. |
| 11 | 5,25-Zoll-Laufwerkschacht | Kann ein optisches Laufwerk enthalten. Legen Sie eine CD oder eine DVD (falls unterstützt) in dieses Laufwerk ein. |

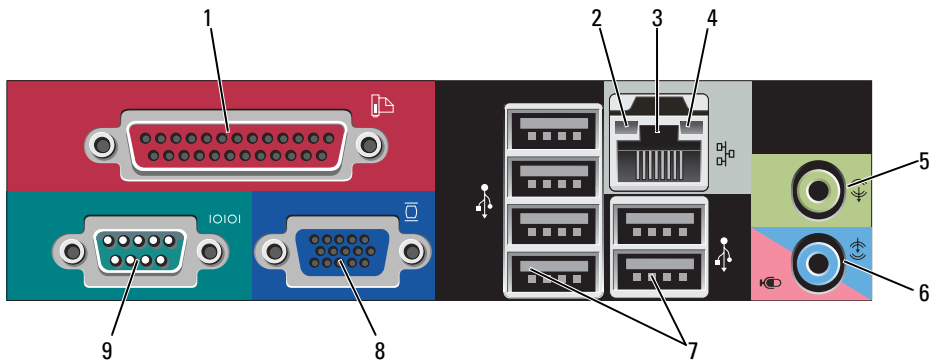
Small Form-Factor-Computer – Rückansicht



- | | | |
|---|-----------------------------|------------------------------------------------------------------------------------------------------------------------------------------------------------------|
| 1 | Kartensteckplätze | Anschlüsse für installierte PCI- oder PCI-Express-Karten. |
| 2 | Anschlüsse an der Rückseite | Schließen Sie serielle, USB- und andere Geräte an die jeweiligen Anschlüsse an (siehe „Small Form-Factor-Computer – Anschlüsse an der Rückseite“ auf Seite 139). |
| 3 | Stromanschluss | Stecken Sie das Stromversorgungskabel ein. |

- 4 Spannungswahlschalter Ihr Computer ist mit einem manuellen Spannungswahlschalter ausgestattet. Um die Beschädigung eines Computers mit einem manuellen Spannungswahlschalter zu verhindern, stellen Sie den Schalter auf die Spannung ein, die der Wechselspannung an Ihrem Standort am ehesten entspricht.
- ➔ **HINWEIS:** Obwohl die Versorgungsspannung in Japan nur 100 V beträgt, müssen am Spannungswahlschalter 115 V eingestellt sein.
- Stellen Sie sicher, dass der Monitor und die angeschlossenen Geräte mit der verfügbaren Netzspannung betrieben werden können.
- 5 Halbringförmiger Bügel für ein Vorhängeschloss Bringen Sie ein Vorhängeschloss an, um die Computerabdeckung zu verriegeln.
- 6 Abdeckungsfreigabevorrichtung Ermöglicht das Öffnen der Computerabdeckung.

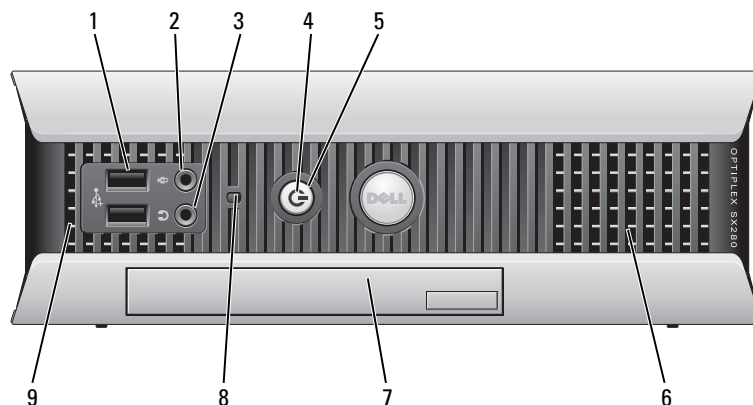
Small Form-Factor-Computer – Anschlüsse an der Rückseite



- 1 Paralleler Anschluss Schließen Sie ein paralleles Gerät, wie z. B. einen Drucker, an den parallelen Anschluss an. Wenn Sie einen USB-Drucker haben, schließen Sie ihn an einem USB-Anschluss an.
- ANMERKUNG:** Der integrierte parallele Anschluss wird automatisch deaktiviert, wenn der Computer eine installierte Karte mit einem parallelen Anschluss ermittelt, der für die gleiche Adresse konfiguriert wurde. Weitere Informationen hierzu finden Sie in Ihrem Online-*Benutzerhandbuch*.
- 2 Verbindungsintegritätsanzeige
- Grün – Es besteht eine gute Verbindung zwischen einem 10-Mbit/s-Netzwerk und dem Computer.
 - Orange – Es besteht eine gute Verbindung zwischen einem 100-Mbit/s-Netzwerk und dem Computer.
 - Gelb – Es besteht eine gute Verbindung zwischen einem 1-Gbit/s- (oder 1000-Mbit/s-) Netzwerk und dem Computer.
 - Off (Deaktiviert) – Der Computer ermittelt keine physische Verbindung zum Netzwerk.

- 3 Netzwerkadapteranschluss Um den Computer an ein Netzwerk oder Breitbandgerät anzuschließen, stecken Sie ein Ende eines Netzkabels in eine Netzkabelbuchse oder in das Netzwerk- oder Breitbandgerät. Verbinden Sie das andere Ende des Netzkabels mit dem Netzwerkadapteranschluss an der Rückseite Ihres Computers. Ein Klicken zeigt an, dass das Netzkabel sicher angeschlossen wurde.
ANMERKUNG: Schließen Sie kein Telefonkabel an den Netzwerkanschluss an.
Bei Computern mit einer Netzwerkanschluss-Karte verwenden Sie den Anschluss auf der Karte.
Es wird empfohlen, dass Sie Verkabelungen und Anschlüsse der Kategorie 5 für Ihr Netzwerk verwenden. Wenn Sie eine Verkabelung der Kategorie 3 verwenden müssen, setzen Sie die Netzwerkgeschwindigkeit auf 10 MB/s, um einen zuverlässigen Betrieb zu gewährleisten.
- 4 Netzwerk-Aktivitätsleuchte Die gelbe Anzeige blinkt, wenn der Computer Netzwerkdaten sendet oder empfängt. Hohe Netzwerkbelastung hat möglicherweise zur Folge, dass diese Anzeige stetig leuchtet.
- 5 Leitungsausgangsanschluss Am grünen Ausgangsanschluss (bei Computern mit integrierter Sound-Karte) können Sie die meisten der im Handel erhältlichen Lautsprecher mit eingebautem Verstärker anschließen.
- 6 Leitungseingang/
Mikrofonanschluss Verwenden Sie die blauen und rosafarbenen Leitungseingänge/Mikrofonanschlüsse (verfügbar auf Computern mit einer integrierten Soundkarte), um ein Aufnahme-/Wiedergabegerät wie z.B. einen Kassettenspieler, einen CD-Player oder einen Videorecorder anzuschließen. Oder schließen Sie ein Personalcomputer-Mikrofon für Sprach- oder Musikeingabe über ein Sound- oder Telefonieprogramm an.
- 7 USB 2.0-Anschlüsse (6) Verwenden Sie die hinteren USB-Anschlüsse für Geräte, die normalerweise angeschlossen bleiben, wie z. B. Drucker und Tastaturen.
- 8 Monitoranschluss Stecken Sie das Kabel Ihres VGA-kompatiblen Monitors in den blauen Anschluss.
ANMERKUNG: Wenn bei der Lieferung bereits eine Grafikkarte installiert ist, ist dieser Anschluss mit einer Abdeckung versehen. Schließen Sie Ihren Bildschirm an den Anschluss auf der Grafikkarte an. Entfernen Sie nicht die Abdeckkappen.
ANMERKUNG: Wenn Sie eine Grafikkarte verwenden, die zwei Bildschirme unterstützt, verwenden Sie das im Lieferumfang des Computers enthaltene Y-Kabel.
- 9 Serieller Anschluss Schließen Sie ein serielles Gerät, wie z. B. ein Handheld, an den seriellen Anschluss an. Die Standardbezeichnung für den ersten seriellen Anschluss ist COM1 und für den zweiten seriellen Anschluss COM2.
Weitere Informationen finden Sie in Ihrem *Online-Benutzerhandbuch*.

Ultra Small Form Factor-Computer – Vorderansicht



- 1 USB-Anschlüsse (2) Schließen Sie Geräte, die Sie nur gelegentlich nutzen, beispielsweise einen Joystick, eine Kamera oder startfähige USB-Geräte an die USB-Anschlüsse an der Vorderseite des Computers an. (Weitere Informationen zum Starten von einem USB-Gerät aus finden Sie in Ihrem *Online-Benutzerhandbuch*.

Es wird empfohlen, die hinteren USB-Anschlüsse für Geräte zu verwenden, die normalerweise angeschlossen bleiben, wie z. B. Drucker und Tastaturen.


- 2 Kopfhöreranschluss Sie können den Kopfhöreranschluss zum Anschließen von Kopfhörern und den meisten Arten von Lautsprechern verwenden.

- 3 Mikrofonanschluss Verwenden Sie den Mikrofonanschluss, um ein Mikrofon anzuschließen.

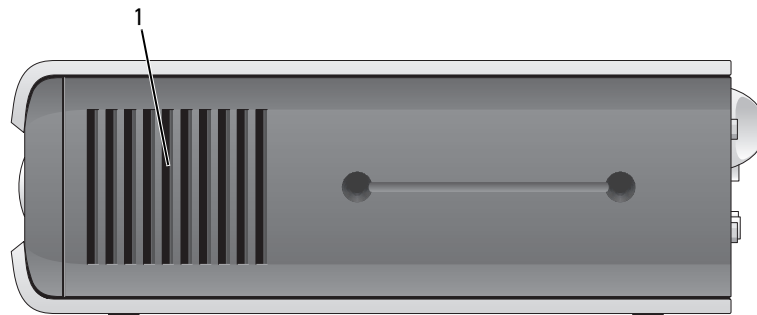
- 4 Stromversorgungslicht Die Stromversorgungslicht leuchtet und blinkt oder leuchtet stetig, um verschiedene Stadien anzuzeigen.
- Leuchtet nicht – der Computer ist ausgeschaltet.
 - Stetig grün – der Computer befindet sich in einem normalen Betriebsmodus.
 - Blinkt grün – der Computer befindet sich in einem Energiesparmodus.
 - Blinkt oder stetig gelb – Weitere Informationen finden Sie in Ihrem *Online-Benutzerhandbuch*.

Zum Beenden des Energiesparmodus drücken Sie den Betriebsschalter, oder verwenden Sie die Tastatur oder die Maus, sofern diese im Geräte-Manager unter Windows als Aufweckgerät konfiguriert wurde. Weitere Informationen zu den Ruhezuständen und zum Beenden eines Energiesparmodus finden Sie in Ihrem *Online-Benutzerhandbuch*.

Unter „Systemanzeigen“ auf Seite 169 finden Sie eine Beschreibung der Codes, die Ihnen die Fehlersuche im Computer erleichtern.

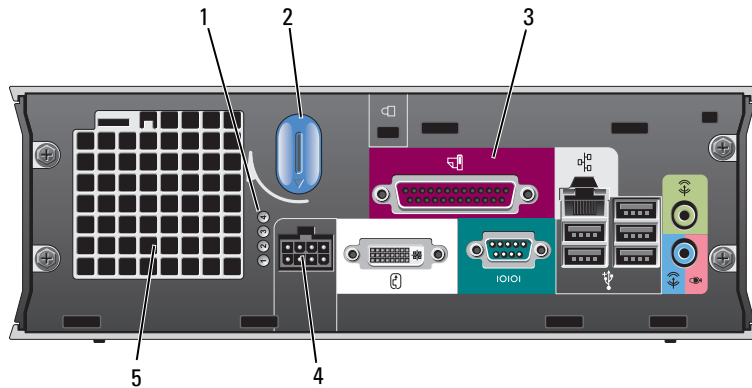
- | | | |
|---|------------------------------------|--------------------------------------------------------------------------------------------------------------------------------------------------------------------------------------------------------------------------------------------------------------------------------------------------------------------------------|
| 5 | Betriebsschalter | Drücken Sie auf diese Schaltfläche, um den Computer einzuschalten. |
| | |  HINWEIS: Um Datenverlust zu vermeiden, drücken Sie zum Ausschalten des Computers nicht den Betriebsschalter. Fahren Sie stattdessen das Betriebssystem herunter. Weitere Informationen finden Sie unter „Vorbereitung“ auf Seite 145. |
| 6 | Lüfter | Lüfter verhindern das Überhitzen Ihres Computers. Um eine ordnungsgemäße Kühlung zu gewährleisten, stellen Sie sicher, dass der Lüfter nicht blockiert ist. |
| 7 | Modulschacht | In diesen Modulschacht können Sie ein optisches Laufwerk der Art D-Modul, ein zusätzliches Festplattenlaufwerk oder ein Diskettenlaufwerk einbauen. |
| 8 | Festplattenlaufwerkzugriffsanzeige | Die Festplattenlaufwerkanzeige leuchtet, wenn der Computer auf das Festplattenlaufwerk zugreift. Die Anzeige leuchtet ebenfalls, wenn Geräte wie der CD-Player Vorgänge ausführen. |
| 9 | Lüfter | Lüfter verhindern das Überhitzen Ihres Computers. Um eine ordnungsgemäße Kühlung zu gewährleisten, stellen Sie sicher, dass der Lüfter nicht blockiert ist. |

Ultra Small Form Factor-Computer – Seitenansicht



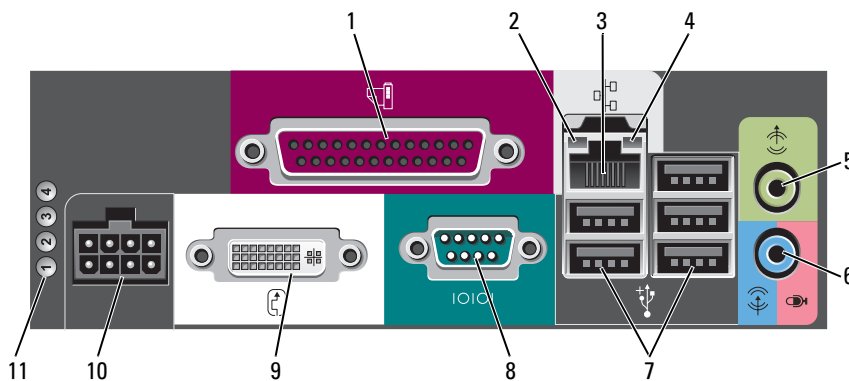
- | | | |
|---|--------|-------------------------------------------------------------------------------------------------------------------------------------------------------------------------------------------------|
| 1 | Lüfter | Die Lüfter befinden sich auf jeder Seite des Computers und verhindern ein Überhitzen. Um eine ordnungsgemäße Kühlung zu gewährleisten, stellen Sie sicher, dass der Lüfter nicht blockiert ist. |
|---|--------|-------------------------------------------------------------------------------------------------------------------------------------------------------------------------------------------------|

Ultra Small Form Factor-Computer – Rückansicht



- | | | |
|---|----------------------------------------------|-----------------------------------------------------------------------------------------------------------------------------------------------------------------|
| 1 | Diagnoseanzeigen | Unter „Diagnoseanzeigen“ auf Seite 170 finden Sie eine Beschreibung der Codes, die Ihnen die Fehlersuche im Computer erleichtern. |
| 2 | Entriegelungshebel für die Computerabdeckung | Drehen Sie diesen Hebel im Uhrzeigersinn, um die Abdeckung zu entfernen. |
| 3 | Anschlüsse an der Rückseite | Die Anschlüsse Ihres Computers (siehe „Ultra Small Form Factor-Computer – Anschlüsse an der Rückseite“ auf Seite 143). |
| 4 | Stromanschluss | Stecken Sie das Stromversorgungskabel ein. |
| 5 | Lüfter | Die Lüfter verhindern das Überhitzen Ihres Computers. Um eine ordnungsgemäße Kühlung zu gewährleisten, stellen Sie sicher, dass der Lüfter nicht blockiert ist. |

Ultra Small Form Factor-Computer – Anschlüsse an der Rückseite



- | | | |
|---|---------------------------------------|---------------------------------------------------------------------------------------------------------------------------------------------------------------------------------------------------------------------------------------------------------------------------------------------------------------------------------------------------------------------------------------------------------------------------------------------------------------------------------------------------------------------------------------------------------------------------------------------------------------------------------------------------------------------------------------------------------------------------------------------------------------------------------------------------------------------------------------------|
| 1 | Paralleler Anschluss | Schließen Sie ein paralleles Gerät, wie z. B. einen Drucker, an den parallelen Anschluss an. Wenn Sie einen USB-Drucker haben, schließen Sie ihn an einem USB-Anschluss an. |
| 2 | Verbindungsintegritäts-
anzeige | <ul style="list-style-type: none"> • Grün – Es besteht eine gute Verbindung zwischen einem 10-Mbit/s-Netzwerk und dem Computer. • Orange – Es besteht eine gute Verbindung zwischen einem 100-Mbit/s-Netzwerk und dem Computer. • Gelb – Es besteht eine gute Verbindung zwischen einem 1.000-Mbit/s-Netzwerk und dem Computer. • AUS– Der Computer hat keine physische Verbindung mit dem Netzwerk erkannt, oder der Netzwerk-Controller wurde im System-Setup-Programm deaktiviert. |
| 3 | Netzwerkadapter | <p>Um den Computer an ein Netzwerk oder Breitbandgerät anzuschließen, stecken Sie ein Ende eines Netzkabels in eine Netzwerkbuchse oder in das Netzwerk- oder Breitbandgerät. Verbinden Sie das andere Ende des Netzkabels mit dem Netzwerkadapteranschluss an der Rückseite Ihres Computers. Ein Klicken zeigt an, dass das Netzkabel sicher angeschlossen wurde.</p> <p>ANMERKUNG: Schließen Sie kein Telefonkabel an den Netzwerkanschluss an.</p> <p>Bei Computern mit einer Netzwerkanschluss-Karte verwenden Sie den Anschluss auf der Karte.</p> <p>Es wird empfohlen, dass Sie Verkabelungen und Anschlüsse der Kategorie 5 für Ihr Netzwerk verwenden. Wenn Sie eine Verkabelung der Kategorie 3 verwenden müssen, setzen Sie die Netzwerkgeschwindigkeit auf 10 MB/s, um einen zuverlässigen Betrieb zu gewährleisten.</p> |
| 4 | Netzwerk-
Aktivitätsleuchte | Die gelbe Anzeige leuchtet und blinkt, wenn der Computer Netzwerkdaten sendet oder empfängt. Hohe Netzwerkbelastung hat möglicherweise zur Folge, dass diese Anzeige stetig leuchtet. |
| 5 | Leitungsausgangs-
anschluss | Am grünen Ausgangsanschluss können Sie Lautsprecher mit eingebautem Verstärker anschließen. |
| 6 | Leitungseingang/
Mikrofonanschluss | Verwenden Sie die blauen und rosafarbenen Leitungseingänge/Mikrofonanschlüsse, um ein Aufnahme-/Wiedergabegerät wie z.B. einen Kassettenspieler, einen CD-Player oder einen Videorecorder anzuschließen. Oder schließen Sie ein Personalcomputer-Mikrofon für Sprach- oder Musikeingabe über ein Sound- oder Telefonieprogramm an. |
| 7 | USB-Anschlüsse (5) | Verwenden Sie die hinteren USB-Anschlüsse für Geräte, die normalerweise angeschlossen bleiben, wie z. B. Drucker und Tastaturen. |
| 8 | Serieller Anschluss | Serielle Geräte, beispielsweise Handheld-Computer, werden an den seriellen Anschluss angeschlossen. |
| 9 | Monitoranschluss | <p>Wenn Sie über einen DVI-kompatiblen Monitor verfügen, stecken Sie das Monitorkabel in den weißen Anschluss auf der Rückseite.</p> <p>Wenn Sie einen VGA-Monitor verwenden, finden Sie weitere Informationen unter „Einen VGA-Monitor anschließen.“</p> <p>im <i>Benutzerhandbuch</i> zu Ihrem Computer.</p> |


- | | | |
|----|------------------|------------------------------------------------------------------------------------------------------------------------------------------|
| 10 | Stromanschluss | Der Anschluss für das Netzteil. |
| 11 | Diagnoseanzeigen | Im Abschnitt „Diagnoseanzeigen“ auf Seite 170 finden Sie eine Beschreibung der Codes, die Ihnen die Fehlersuche im Computer erleichtern. |

Abnehmen der Computerabdeckung

 **VORSICHT:** Bevor Sie Anweisungen an den in diesem Abschnitt beschriebenen Komponenten ausführen, lesen Sie erst die Sicherheitshinweise im *Produktinformationshandbuch*.

 **VORSICHT:** Um Stromschläge zu vermeiden, trennen Sie vor dem Entfernen der Abdeckung den Computer immer von der Steckdose.

Vorbereitung

 **HINWEIS:** Um Datenverluste zu vermeiden, speichern und schließen Sie alle geöffneten Dateien und beenden Sie alle aktiven Programme, bevor Sie den Computer herunterfahren.


- 1 Starten Sie das Betriebssystem.
 - a Speichern und schließen Sie alle geöffneten Dateien und beenden Sie alle aktiven Programme. Klicken Sie auf die Schaltfläche **Start** und anschließend auf **Computer ausschalten**.
 - b Klicken Sie im Fenster **Computer ausschalten** auf die Schaltfläche **Ausschalten**. Der Computer schaltet sich aus, wenn das Herunterfahren des Betriebssystems abgeschlossen ist.
- 2 Stellen Sie sicher, dass der Computer und alle angeschlossenen Geräte ausgeschaltet sind. Wenn Ihr Computer und die angeschlossenen Komponenten beim Herunterfahren des Computers nicht automatisch ausgeschaltet wurden, schalten Sie sie jetzt aus.


Vor der Arbeit im Innern des Computers

Die folgenden Sicherheitshinweise schützen den Computer vor möglichen Schäden und dienen der persönlichen Sicherheit des Benutzers.

 **VORSICHT:** Bevor Sie Anweisungen an den in diesem Abschnitt beschriebenen Komponenten ausführen, lesen Sie erst die Sicherheitshinweise im *Produktinformationshandbuch*.


 **VORSICHT:** Gehen Sie mit Komponenten und Karten vorsichtig um. Komponenten und Kontakte auf einer Karte dürfen nicht angefasst werden. Berühren Sie eine Karte ausschließlich an den Rändern oder am Montageblech. Fassen Sie Komponenten wie Prozessoren grundsätzlich an den Kanten und niemals an den Stiften an.

 **HINWEIS:** Reparaturen an Ihrem Computer sollten nur von einem zertifizierten Service-Techniker ausgeführt werden. Schäden durch nicht von Dell genehmigte Wartungsversuche werden nicht durch die Garantie abgedeckt.

 **HINWEIS:** Ziehen Sie beim Trennen des Geräts nur am Stecker oder an der Zugentlastung und nicht am Kabel selbst. Einige Kabel haben Stecker mit Verriegelungskammern. Drücken Sie beim Abziehen solcher Kabel vor dem Abnehmen die Verriegelungskammern. Halten Sie beim Trennen von Steckverbindungen die Anschlüsse gerade, um keine Stifte zu verbiegen. Achten Sie vor dem Anschließen eines Kabels darauf, dass die Stecker korrekt ausgerichtet und nicht verkantet aufgesetzt werden.

Um Schäden am Computer zu vermeiden, führen Sie folgende Schritte aus, bevor die Arbeiten im Innern des Computers begonnen werden.

1 Schalten Sie den Computer aus.

 **HINWEIS:** Wenn Sie ein Netzkabel lösen, ziehen Sie es erst vom Computer und dann von der Netzwerkwandsteckerbuchse ab.

2 Trennen Sie alle Telefon- und Datenübertragungskabel vom Computer.


3 Trennen Sie den Computer und alle angeschlossenen Geräte von der Steckdose, und drücken Sie anschließend den Betriebsschalter, um die Systemplatine zu erden.

4 Entfernen Sie, falls vorhanden, den Computer-Standrahmen (weitere Anweisungen finden Sie in der mit dem Standrahmen mitgelieferten Dokumentation).

 **VORSICHT: Um Stromschläge zu vermeiden, trennen Sie vor dem Entfernen der Abdeckung den Computer immer von der Steckdose.**

5 Entfernen Sie die Computerabdeckung:

- Entfernen Sie die Mini-Tower-Computerabdeckung (siehe „Mini-Tower-Computer“ auf Seite 146).
- Entfernen Sie die Desktop-Computerabdeckung (siehe „Desktop-Computer“ auf Seite 147).
- Entfernen Sie die Abdeckung des Small Form-Factor-Computers (siehe „Small Form-Factor-Computer“ auf Seite 148).
- Entfernen Sie die Abdeckung des Ultra Small Form-Factor-Computers (siehe „Ultra Small Form-Factor-Computer“ auf Seite 150.)

 **HINWEIS:** Vor dem Berühren einer Komponente im Innern des Computers müssen Sie erst eine nicht lackierte Metallfläche, wie z. B. das Metall auf der Rückseite des Computers berühren, um sich zu erden. Wiederholen Sie diese Erdung während der Arbeit regelmäßig, um statische Elektrizität abzuleiten, die interne Bauteile beschädigen könnte.

Mini-Tower-Computer

 **VORSICHT: Bevor Sie Anweisungen an den in diesem Abschnitt beschriebenen Komponenten ausführen, lesen Sie erst die Sicherheitshinweise im *Produktinformationshandbuch*.**

 **VORSICHT: Um elektrische Schläge zu vermeiden, trennen Sie vor dem Entfernen der Computerabdeckung den Computer immer von der Steckdose.**

1 Befolgen Sie die Anweisungen unter „Vorbereitung“ auf Seite 145.

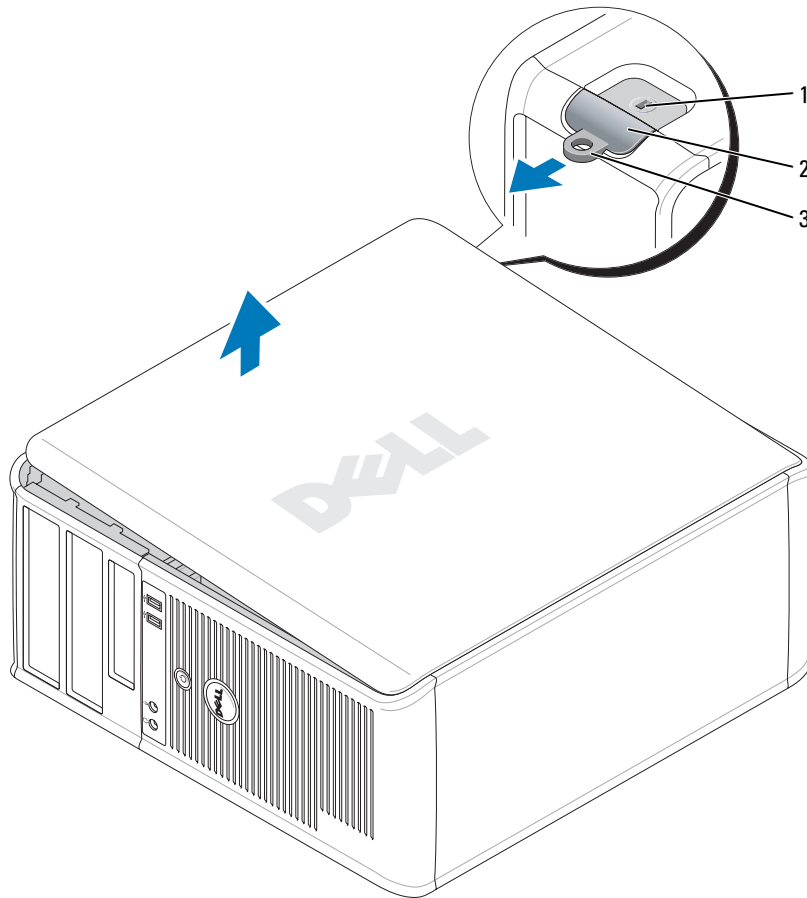
2 Legen Sie den Computer auf die Seite, wie in der folgenden Abbildung dargestellt.

3 Machen Sie den abgebildeten Freigabevorrichtung für die Abdeckung ausfindig. Drücken Sie den Freigabevorrichtung nach hinten und nehmen Sie dabei die Abdeckung ab.

4 Fassen Sie die Computerabdeckung an den Seiten an und drehen Sie sie nach oben, indem Sie die Scharnierhalterungen als Hebelpunkte verwenden.

5 Entfernen Sie die Abdeckung aus den Scharnierhalterungen und legen Sie sie auf einer weichen, glatten Oberfläche ab.

 **VORSICHT: Kühlkörper für die Grafikkarte können bereits bei normaler Beanspruchung sehr heiß werden. Vergewissern Sie sich, dass der Kühlkörper der Grafikkarte genügend abgekühlt ist, bevor Sie ihn berühren.**



- 1 Sicherheitskabeleinschub 2 Abdeckungs freigabevorrichtung 3 Halbringförmiger Bügel für ein Vorhängeschloss

Desktop-Computer

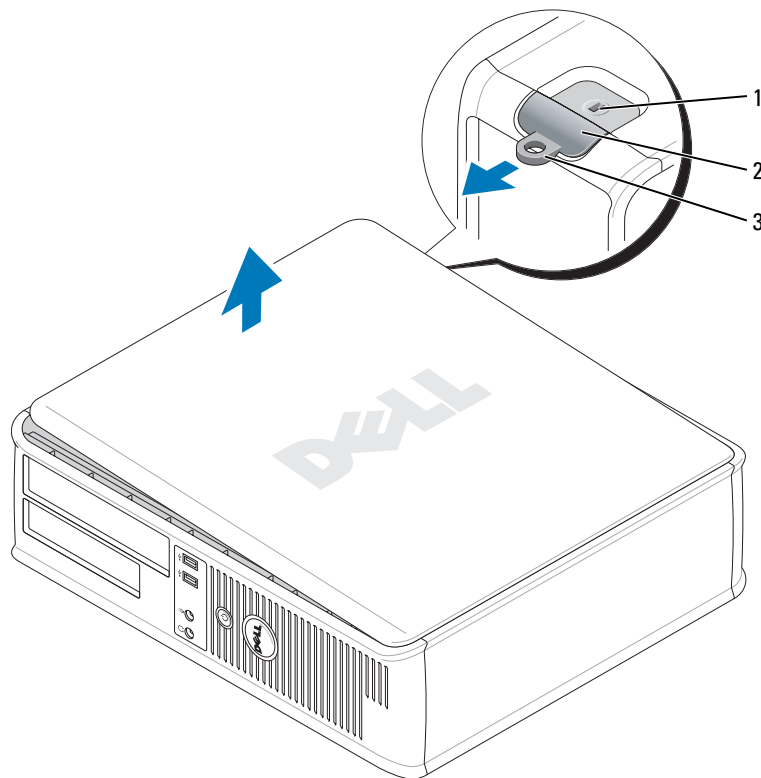
! **VORSICHT:** Bevor Sie Anweisungen an den in diesem Abschnitt beschriebenen Komponenten ausführen, lesen Sie erst die Sicherheitshinweise im *Produktinformationshandbuch*.

! **VORSICHT:** Um elektrische Schläge zu vermeiden, trennen Sie vor dem Entfernen der Computerabdeckung den Computer immer von der Steckdose.

- 1 Befolgen Sie die Anweisungen unter „Vorbereitung“ auf Seite 145.
- 2 Wenn an der Rückseite ein Vorhängeschloss durch den Ring geschoben wurde, entfernen Sie das Vorhängeschloss.

- 3 Machen Sie den abgebildeten Freigabevorrichtung für die Abdeckung ausfindig. Drücken Sie den Freigabevorrichtung nach hinten und nehmen Sie dabei die Abdeckung ab.
- 4 Fassen Sie die Computerabdeckung an den Seiten an und drehen Sie sie nach oben, indem Sie die Scharnierhalterungen als Hebelpunkte verwenden.
- 5 Entfernen Sie die Abdeckung aus den Scharnierhalterungen und legen Sie sie auf einer weichen, glatten Oberfläche ab.

⚠ VORSICHT: Kühlkörper für die Grafikkarte können bereits bei normaler Beanspruchung sehr heiß werden. Vergewissern Sie sich, dass der Kühlkörper der Grafikkarte genügend abgekühlt ist, bevor Sie ihn berühren.



1 Sicherheitskabeinschub 2 Abdeckungsfreigabevorrichtung 3 Halbringförmiger Bügel für ein Vorhängeschloss

Small Form-Factor-Computer

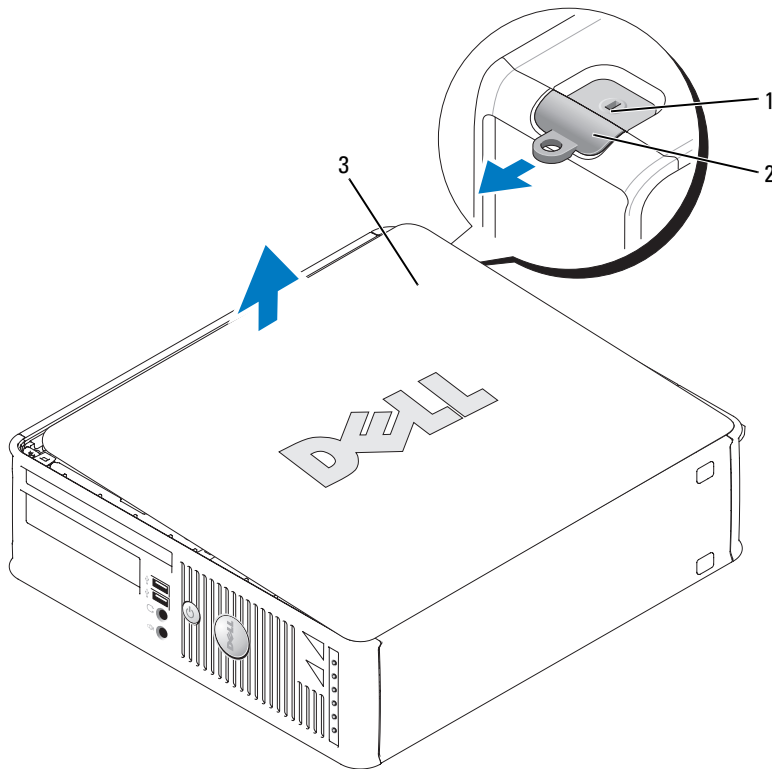
⚠ VORSICHT: Bevor Sie Anweisungen an den in diesem Abschnitt beschriebenen Komponenten ausführen, lesen Sie erst die Sicherheitshinweise im *Produktinformationshandbuch*.

⚠ VORSICHT: Um elektrische Schläge zu vermeiden, trennen Sie vor dem Entfernen der Computerabdeckung den Computer immer von der Steckdose.

- 1 Befolgen Sie die Anweisungen unter „Vorbereitung“ auf Seite 145.
- 2 Wenn an der Rückseite ein Vorhängeschloss durch den Ring geschoben wurde, entfernen Sie das Vorhängeschloss.
- 3 Machen Sie den abgebildeten Freigabevorrichtung für die Abdeckung ausfindig. Drücken Sie den Freigabevorrichtung nach hinten und nehmen Sie dabei die Abdeckung ab.
- 4 Fassen Sie die Computerabdeckung an den Seiten an und drehen Sie sie nach oben, indem Sie die unteren Scharniere als Hebelpunkte verwenden.
- 5 Entfernen Sie die Abdeckung aus den Scharnierhalterungen und legen Sie sie auf einer weichen, glatten Oberfläche ab.



VORSICHT: Kühlkörper für die Grafikkarte können bereits bei normaler Beanspruchung sehr heiß werden. Vergewissern Sie sich, dass der Kühlkörper der Grafikkarte genügend abgekühlt ist, bevor Sie ihn berühren.



- 1 Sicherheitskabeleinschub 2 Abdeckungsfreigabevorrichtung 3 Systemgehäuse

Ultra Small Form Factor-Computer

! **VORSICHT:** Bevor Sie Anweisungen an den in diesem Abschnitt beschriebenen Komponenten ausführen, lesen Sie erst die Sicherheitshinweise im *Produktinformationshandbuch*.

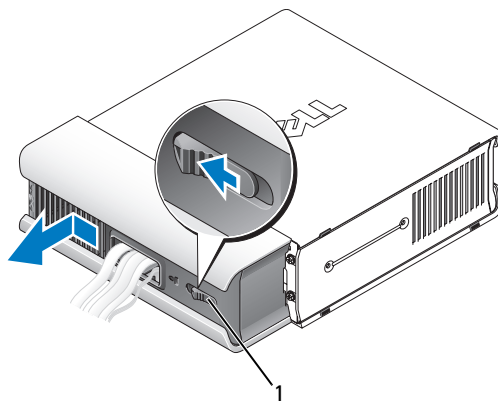
! **VORSICHT:** Um elektrische Schläge zu vermeiden, trennen Sie vor dem Entfernen der Computerabdeckung den Computer immer von der Steckdose.

1 Befolgen Sie die Anweisungen unter „Vorbereitung“ auf Seite 145.

➔ **HINWEIS:** Bevor Sie Bauteile im Computer berühren, müssen Sie sich durch Berühren einer unbeschichteten Metalloberfläche erden. Wiederholen Sie diese Erdung während der Arbeit regelmäßig, um statische Elektrizität abzuleiten, die interne Bauteile beschädigen könnte.

2 Entfernen Sie die Kabelabdeckung, falls möglich.

- a Wenn ein Sicherheitsgerät im Sicherheitskabeleinschub installiert wurde, können Sie das Gerät entfernen.



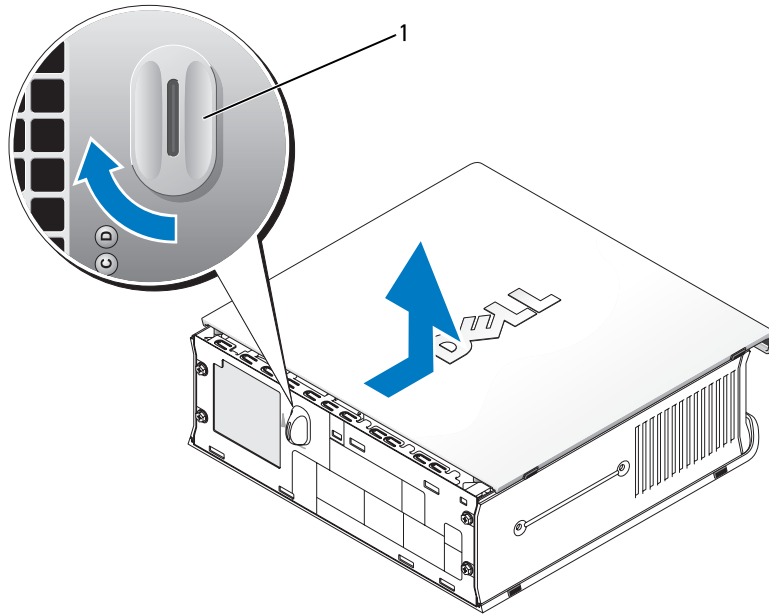
1 Freigabetaste

- b Drücken Sie auf die Freigabetaste, greifen Sie die Kabelabdeckung und schieben Sie die Abdeckung bis zum Anschlag nach links. Heben Sie die Kabelabdeckung anschließend an und entfernen Sie sie.

3 Entfernen Sie die Computerabdeckung:

- a Drehen Sie den Abdeckungsfreigabehebel im Uhrzeigersinn, wie in der Abbildung angezeigt.
- b Schieben Sie die Computerabdeckung vorsichtig um 1 cm nach vorne oder soweit, bis es nicht mehr weiter geht, und heben Sie dann die Abdeckung an.

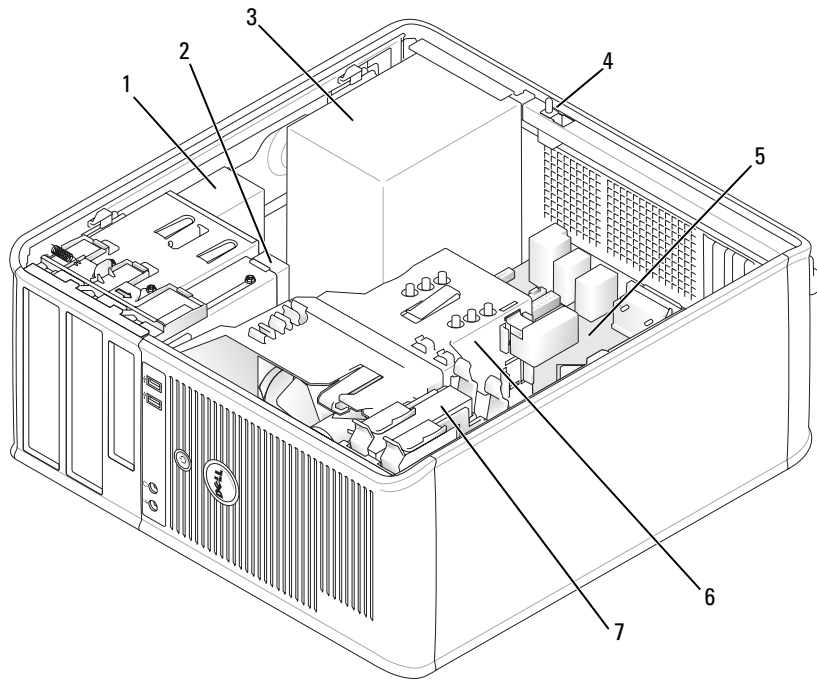
⚠ VORSICHT: Kühlkörper für die Grafikkarte können bereits bei normaler Beanspruchung sehr heiß werden. Vergewissern Sie sich, dass der Kühlkörper der Grafikkarte genügend abgekühlt ist, bevor Sie ihn berühren.



1 Freigabehebel

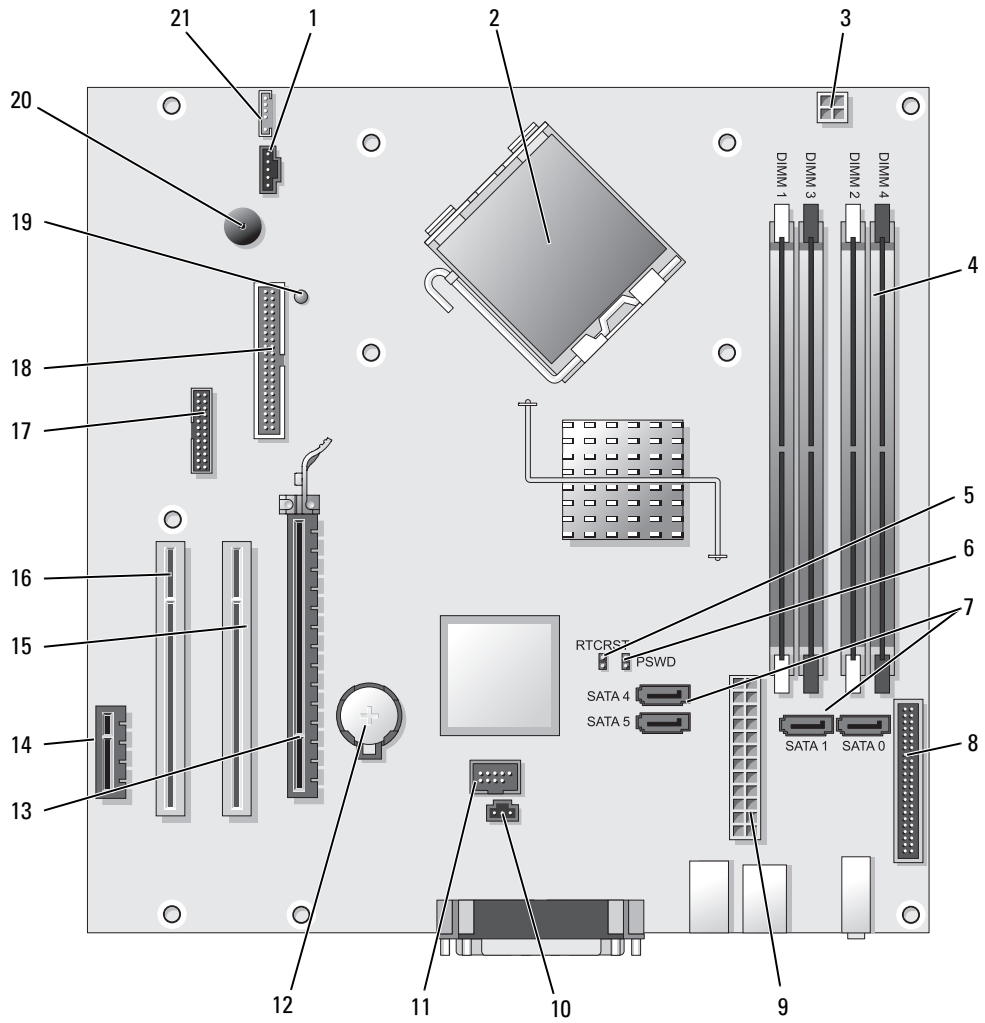
Das Innere des Computers

Mini-Tower-Computer



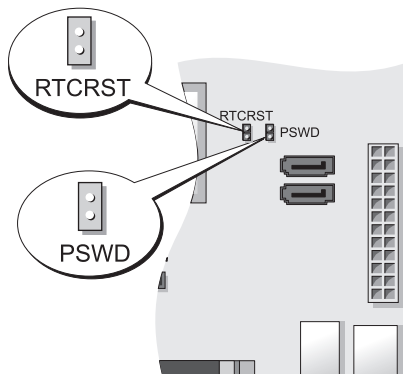
- | | | | | | |
|---|-------------------------------------|---|---------------------------------------------|---|---------------------|
| 1 | Optisches Laufwerk | 2 | Diskettenlaufwerk oder Media-Kartenlaufwerk | 3 | Netzteil |
| 4 | optionaler Gehäuseeingriffsschalter | 5 | Systemplatine | 6 | Kühlkörperbaugruppe |
| 7 | Festplatte | | | | |





Komponenten der Systemplatine





- | | | | |
|----|-----------------------------------------------------------|----|------------------------------------|
| 1 | Lüfteranschluss (FAN) | 12 | Batteriehalterung (BATT) |
| 2 | Mikroprozessoranschluss (CPU) | 13 | PCI-Express x16-Anschluss (SLOT1) |
| 3 | Netzanschluss des Prozessors (12V POWER) | 14 | PCI-Express x1-Anschluss (SLOT4) |
| 4 | Speichermoduleanschlüsse (DIMM_1, DIMM_2, DIMM_3, DIMM_4) | 15 | PCI-Anschluss (SLOT2) |
| 5 | Jumper für Echtzeituhr-Reset (RTCRST) | 16 | PCI-Anschluss (SLOT3) |
| 6 | Kennwort-Jumper (PSWD) | 17 | Serieller Anschluss (SER2) |
| 7 | SATA-Laufwerkanschlüsse (SATA0, SATA1, SATA4, SATA5) | 18 | Diskettenlaufwerkanschluss (DSKT) |
| 8 | Frontblendenanschluss (FNT_PANEL) | 19 | Minimalleistung |
| 9 | Netzanschluss (POWER) | 20 | Systemplatinen-Lautsprecher (BEEP) |
| 10 | Gehäuseeingriffschalter (INTRUDER) | 21 | Lautsprecheranschluss (INT_SPKR) |
| 11 | Interner USB-Anschluss (INTERNAL_USB) | | |

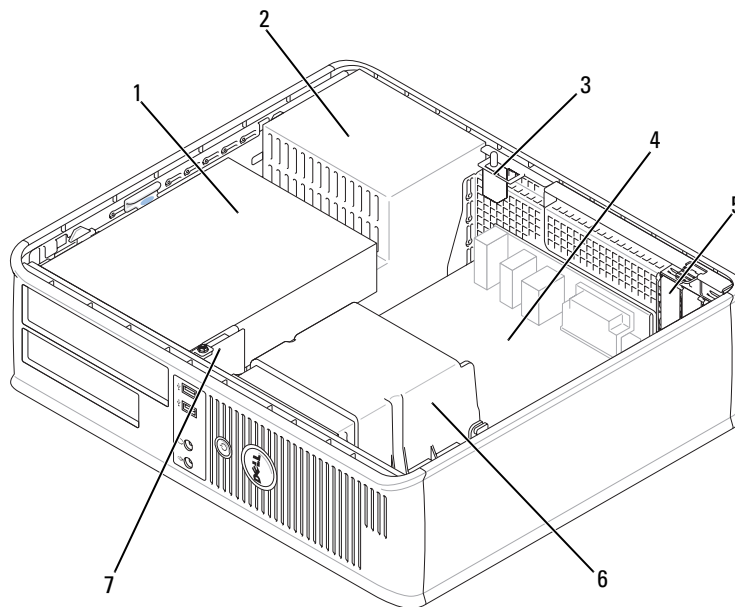
Jumpereinstellungen



Jumper	Einstellung	Beschreibung
PSWD		Kennwortfunktionen sind aktiviert (Standardeinstellung).
		Kennwortfunktionen sind deaktiviert.
RTCRST		The real-time clock has not been reset.
		Die Echtzeituhr wird zurückgesetzt (temporär überbrückt).

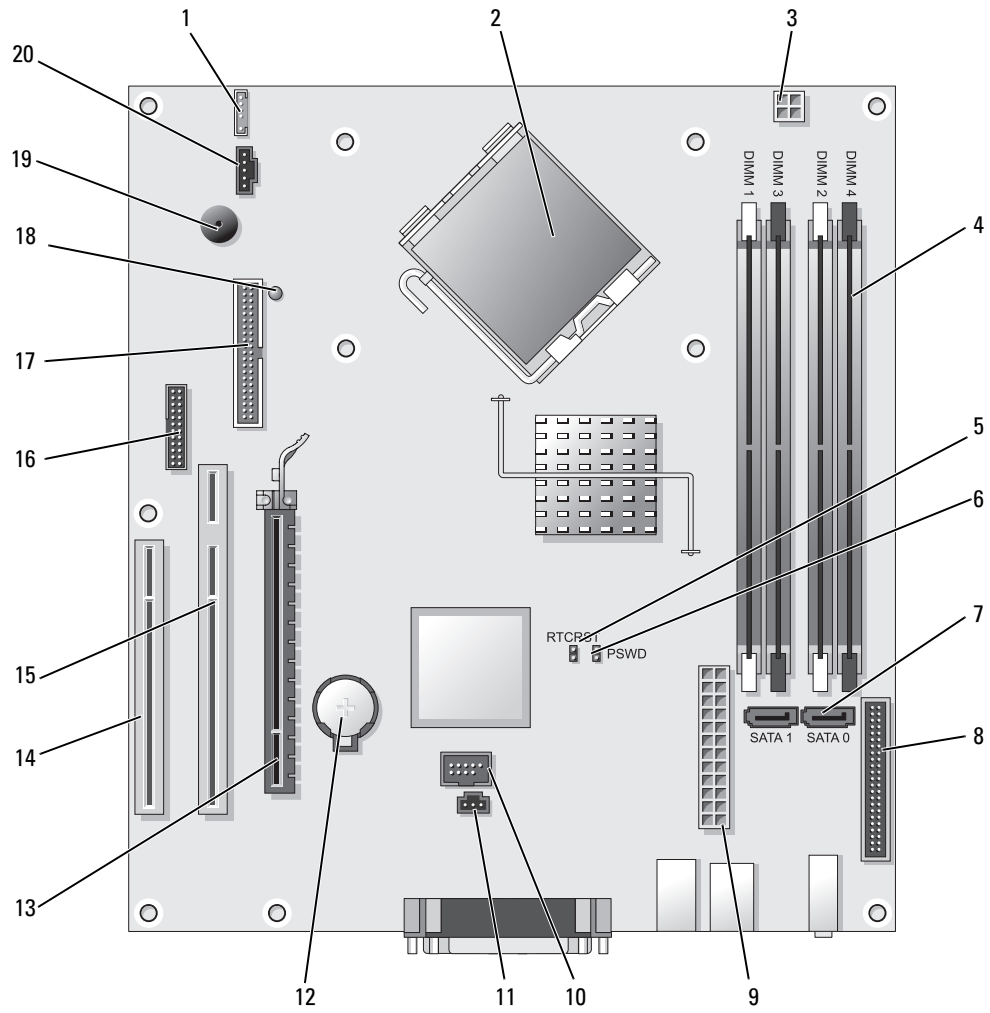
 überbrückt
 nicht überbrückt

Desktop-Computer



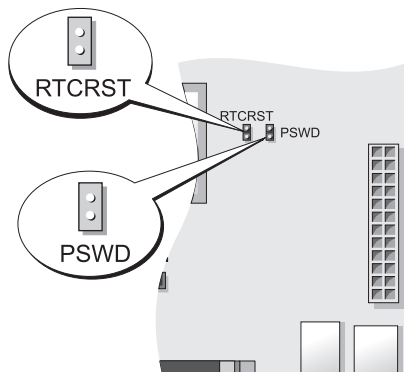
- | | | | | | |
|---|---------------------------------------------------------------------------------------------------|---|-------------------|---|------------------------------------|
| 1 | Laufwerkschächte (Media-Kartenlaufwerk oder Diskettenlaufwerk, optisches Laufwerk und Festplatte) | 2 | Netzteil | 3 | optionaler Gehäuseeingriffschalter |
| 4 | Systemplatine | 5 | Kartensteckplätze | 6 | Kühlkörperbaugruppe |
| 7 | Vordere E/A-Leiste | | | | |

Komponenten der Systemplatine



- | | | | |
|----|-----------------------------------------------------------|----|------------------------------------|
| 1 | Interner Lautsprecher (INT_SPKR) | 11 | Gehäuseeingriffschalter (INTRUDER) |
| 2 | Mikroprozessoranschluss (CPU) | 12 | Batteriehalterung (BATT) |
| 3 | Netzanschluss des Prozessors (12V POWER) | 13 | PCI-Express x16-Anschluss (SLOT1) |
| 4 | Speichermoduleanschlüsse (DIMM_1, DIMM_2, DIMM_3, DIMM_4) | 14 | PCI-Anschluss (SLOT3) |
| 5 | Jumper für Echtzeituhr-Reset (RTCST) | 15 | PCI-Anschluss (SLOT2) |
| 6 | Kennwort-Jumper (PSWD) | 16 | Serieller Anschluss (SER2) |
| 7 | SATA-Anschlüsse (SATA0, SATA1) | 17 | Diskettenlaufwerkanschluss (DSKT) |
| 8 | Frontblendenanschluss (FNT_PANEL) | 18 | Minimalleistung |
| 9 | Netzanschluss (POWER) | 19 | Systemplatinen-Lautsprecher (BEEP) |
| 10 | Interner USB-Anschluss (INTERNAL_USB) | 20 | Lüfteranschluss (FAN) |

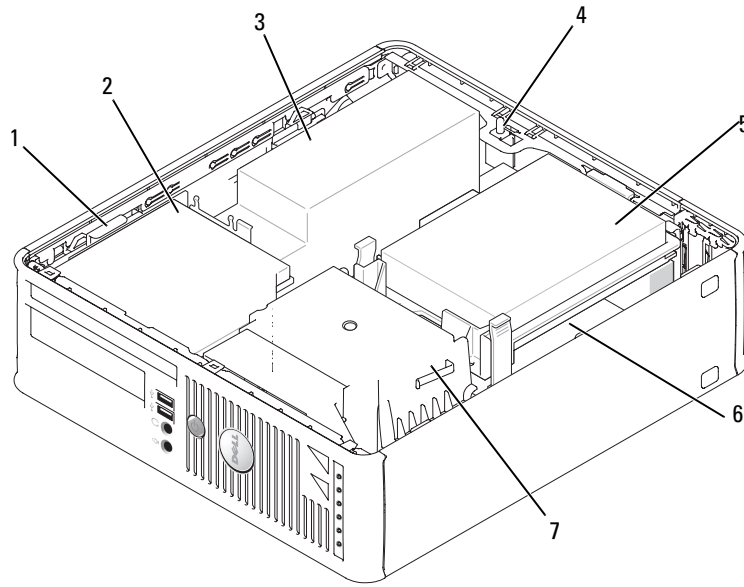
Jumpereinstellungen



Jumper	Einstellung	Beschreibung
PSWD		Kennwortfunktionen sind aktiviert (Standardeinstellung).
		Kennwortfunktionen sind deaktiviert.
RTCST		The real-time clock has not been reset.
		Die Echtzeituhr wird zurückgesetzt (temporär überbrückt).

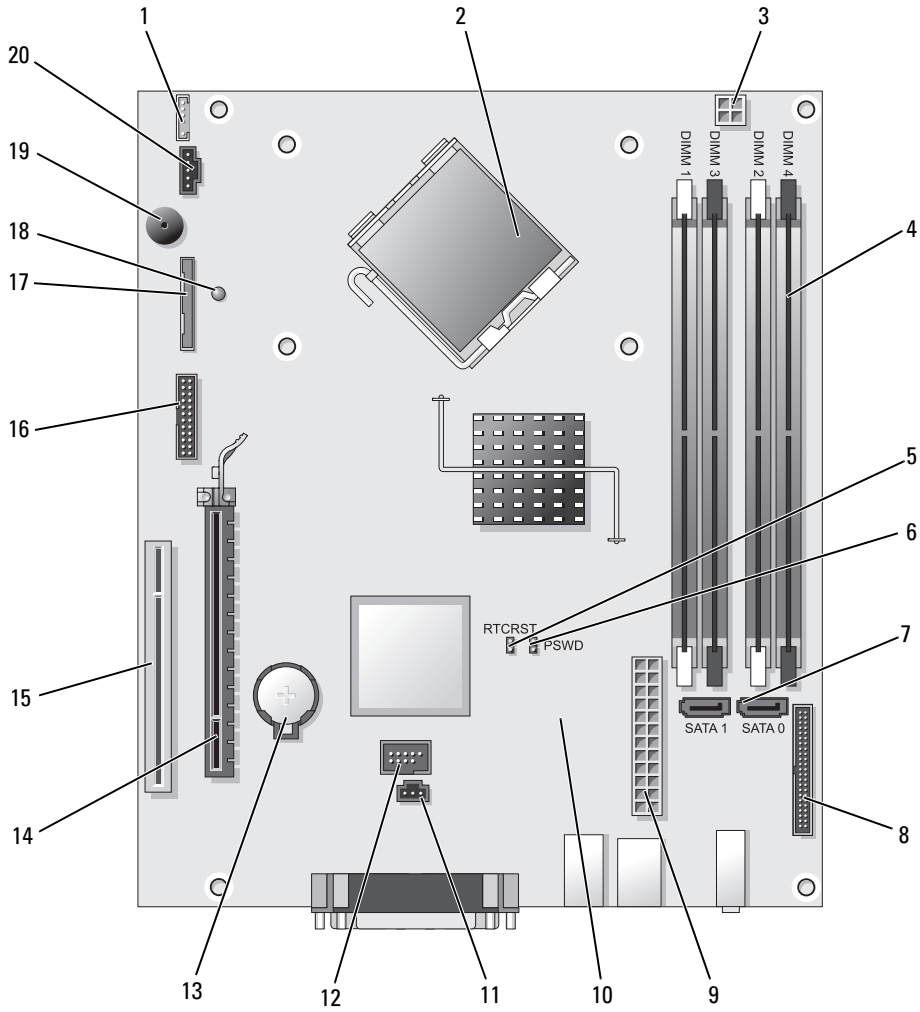
überbrückt nicht überbrückt

Small Form-Factor-Computer



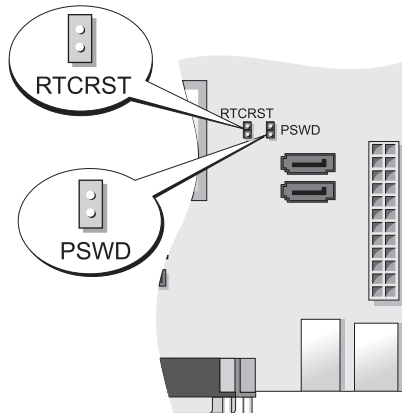
- | | | | | | |
|---|--------------------------------------|---|--------------------|---|----------------------------|
| 1 | Freigabevorrichtung für das Laufwerk | 2 | Optisches Laufwerk | 3 | Stromversorgung und Lüfter |
| 4 | optionaler Gehäuseeingriffschalter | 5 | Festplatte | 6 | Systemplatine |
| 7 | Kühlkörper und Lüftungsvorrichtung | | | | |





Komponenten der Systemplatine





- | | | | |
|----|----------------------------------------------------------|----|------------------------------------|
| 1 | Anschluss für internen Lautsprecher (INT_SPKR) | 11 | Gehäuseeingriffschalter (INTRUDER) |
| 2 | Mikroprozessoranschluss (CPU) | 12 | Interner USB-Anschluss (USB) |
| 3 | Netzanschluss des Prozessors (12V POWER) | 13 | Batteriehalterung (BATT) |
| 4 | Speichermodulanschlüsse (DIMM_1, DIMM_2, DIMM_3, DIMM_4) | 14 | PCI-Express x16-Anschluss (SLOT1) |
| 5 | Jumper für Echtzeituhr-Reset (RTCRST) | 15 | PCI-Anschluss (SLOT2) |
| 6 | Kennwort-Jumper (PSWD) | 16 | Serieller Anschluss (SER2) |
| 7 | SATA-Anschlüsse (SATA0, SATA1) | 17 | Diskettenlaufwerkanschluss (DSKT) |
| 8 | Frontblendenanschluss (FNT_PANEL) | 18 | Minimalleistung |
| 9 | Netzanschluss (POWER) | 19 | Systemplatinen-Lautsprecher (BEEP) |
| 10 | Lüfteranschluss (FAN2) | 20 | Lüfteranschluss (FAN) |

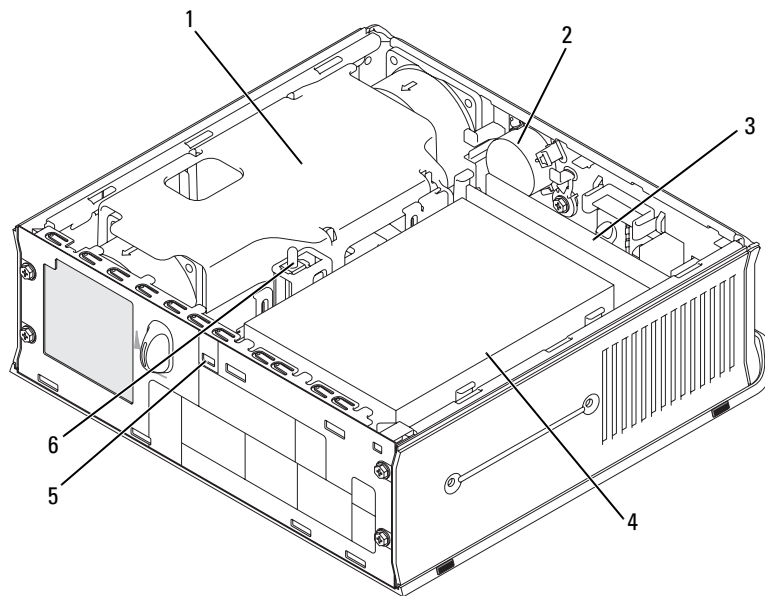
Jumpereinstellungen



Jumper	Einstellung	Beschreibung
PSWD		Kennwortfunktionen sind aktiviert (Standardeinstellung).
		Kennwortfunktionen sind deaktiviert.
RTC/RST		The real-time clock has not been reset.
		Die Echtzeituhr wird zurückgesetzt (temporär überbrückt).

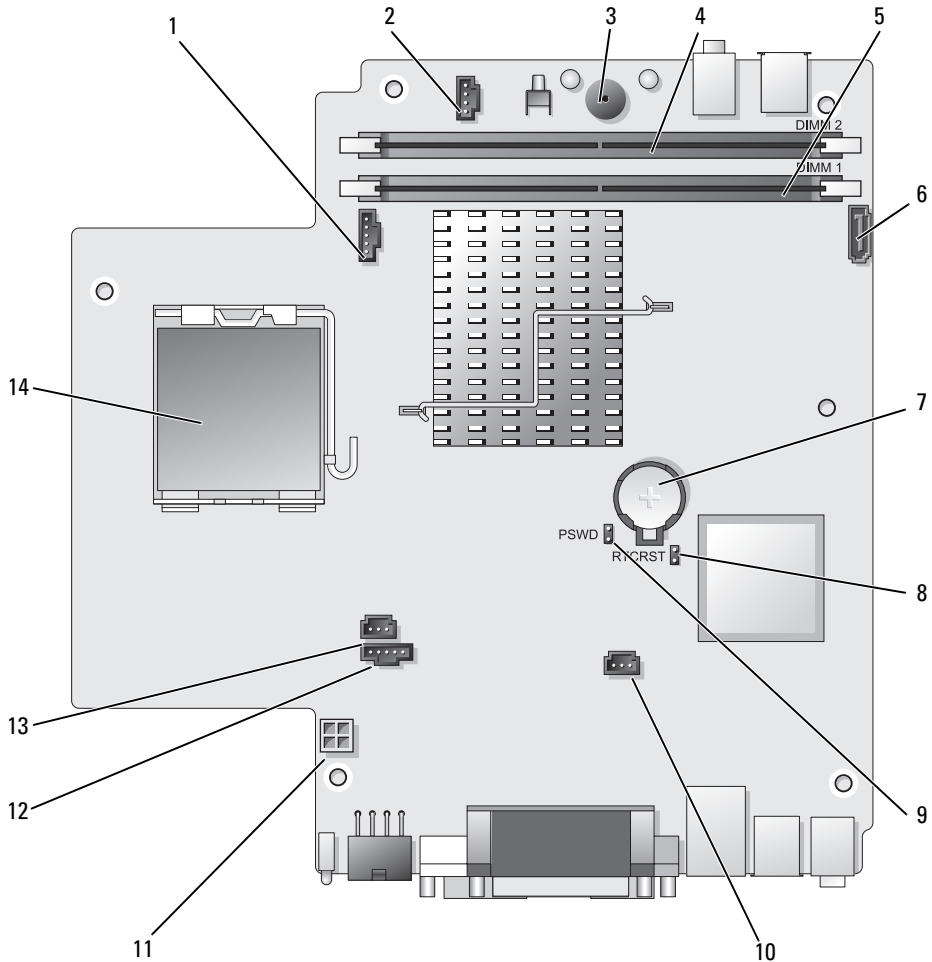
 überbrückt
 nicht überbrückt

Ultra Small Form Factor-Computer



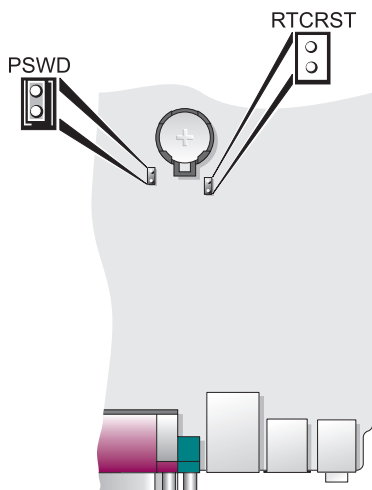
- | | | | | | |
|---|---------------------------------|---|--------------------------|---|-------------------------|
| 1 | Lüfter- und Kühlkörperanordnung | 2 | Lautsprecher (optional) | 3 | Speichermodule (2) |
| 4 | Festplatte | 5 | Sicherheitskabeleinschub | 6 | Gehäuseeingriffschalter |

Komponenten der Systemplatine



- | | | | |
|---|------------------------------------------------|----|---------------------------------------|
| 1 | Lüfteranschluss (FAN_FRONT) | 8 | leerer CMOS-Jumper (RTCRST) |
| 2 | Anschluss für internen Lautsprecher (INT_SPKR) | 9 | Kennwort-Jumper (PSWD) |
| 3 | Systemplatinen-Lautsprecher (BEEP) | 10 | Festplatten-Lüfteranschluss (FAN_HDD) |
| 4 | Kanal-B-Speicheranschluss (DIMM_2) | 11 | Festplatten-Netzanschluss (SATA_PWR) |
| 5 | Kanal-A-Speicheranschluss (DIMM_1) | 12 | Lüfteranschluss (FAN_REAR) |
| 6 | SATA-Datenkabelanschluss (SATA0) | 13 | Gehäuseeingriffschalter (INTRUDER) |
| 7 | Batterie (BATT) | 14 | Prozessor (CPU) |

Jumpereinstellungen



Jumper	Einstellung	Beschreibung
PSWD		Kennwortfunktionen sind aktiviert (Standardeinstellung).
		Kennwortfunktionen sind deaktiviert.
RTCST		The real-time clock has not been reset.
		Die Echtzeituhr wird zurückgesetzt (temporär überbrückt).


überbrückt nicht überbrückt

Einrichten des Computers


⚠ VORSICHT: Bevor Sie Arbeiten an den in diesem Abschnitt beschriebenen Komponenten ausführen, lesen Sie zuerst die Sicherheitshinweise im *Produktinformationshandbuch*.

➡ HINWEIS: Wenn im Computer eine Erweiterungskarte installiert ist (wie z. B. eine Modemkarte), schließen Sie das entsprechende Kabel an die Netzwerkkarte an, und *nicht* an den Anschluss auf der Computerrückseite.


➡ HINWEIS: Sie können den Computer dabei unterstützen, das System bei optimaler Betriebstemperatur zu betreiben und eine ständige Luftzirkulation um das Gehäuse sicherzustellen, indem Sie den Computer nicht direkt an eine Wand stellen oder in einem geschlossen Regalsystem platzieren. Weitere Informationen finden Sie in Ihrem Produktinformationshandbuch.

 **ANMERKUNG:** Bevor Sie Geräte oder Software installieren, die nicht mit Ihrem Computer ausgeliefert wurden, sollten Sie die mit der Software oder dem Gerät gelieferte Dokumentation lesen oder sich an den Händler wenden, um sicherzustellen, dass die Software bzw. das Gerät mit Ihrem Computer und Betriebssystem kompatibel sind.

Um den Computer ordnungsgemäß einzurichten, müssen Sie alle Schritte ausführen. Sehen Sie sich auch die Abbildungen an, die den Anweisungen folgen.

 **HINWEIS:** Eine PS/2-Maus und eine USB-Maus dürfen nicht gleichzeitig verwendet werden.

1 Schließen Sie die Tastatur und die Maus an


 **HINWEIS:** Schließen Sie kein Modemkabel an den Netzwerkadapteranschluss an. Die Spannung einer Telefonleitung kann zu Beschädigungen am Netzwerkadapter führen.

2 Schließen Sie das Modem oder Netzwerkabel an.

Stecken Sie das Netzwerkabel, nicht aber das Telefonkabel in den Netzwerkanschluss. Wenn Sie über ein optionales Modem verfügen, schließen Sie das Telefonkabel am Modem an.


3 Schließen Sie den Bildschirm an.


Richten Sie das Monitorkabel aus und schieben Sie es vorsichtig ein, damit die Anschlussstifte nicht verbogen werden. Ziehen Sie die Flügelschrauben an den Kabelanschlüssen fest.

 **ANMERKUNG:** Bei einigen Bildschirmen befindet sich der Monitoranschluss unterhalb der Bildschirmrückseite. Die Standorte der Anschlüsse können Sie aus der Dokumentation entnehmen, die Sie zusammen mit Ihrem Bildschirm erhalten haben.

4 Schließen Sie die Lautsprecher an.

5 Schließen Sie Computer, Bildschirm und Geräte an das Stromversorgungskabel an und stecken Sie das jeweils andere Ende in eine Stromsteckdose.

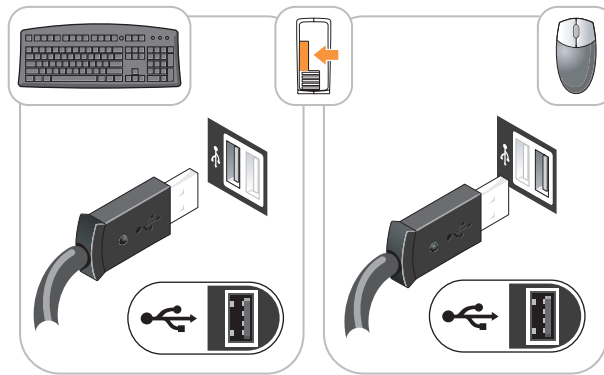
 **HINWEIS:** Um die Beschädigung eines Computers mit einem manuellen Spannungswahlschalter zu verhindern, stellen Sie den Schalter auf die Spannung ein, die der Wechselspannung an Ihrem Standort am ehesten entspricht.

 **HINWEIS:** Obwohl die Versorgungsspannung in Japan nur 100 V beträgt, müssen in Japan am Spannungswahlschalter 115 V eingestellt sein.

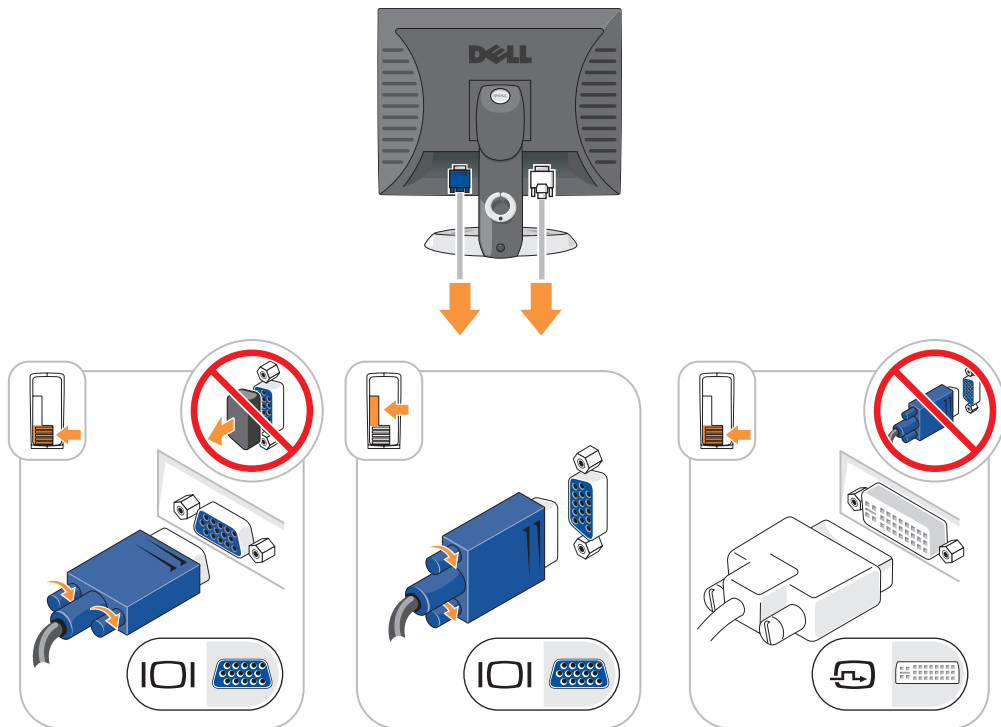
6 Stellen Sie sicher, dass der Spannungswahlschalter der Einstellung für Ihren Standort entspricht.

Ihr Computer ist mit einen manuellen Spannungswahlschalter ausgestattet. Bei Computern mit Spannungswahlschalter auf der Rückseite muss die richtige Betriebsspannung manuell eingestellt werden.

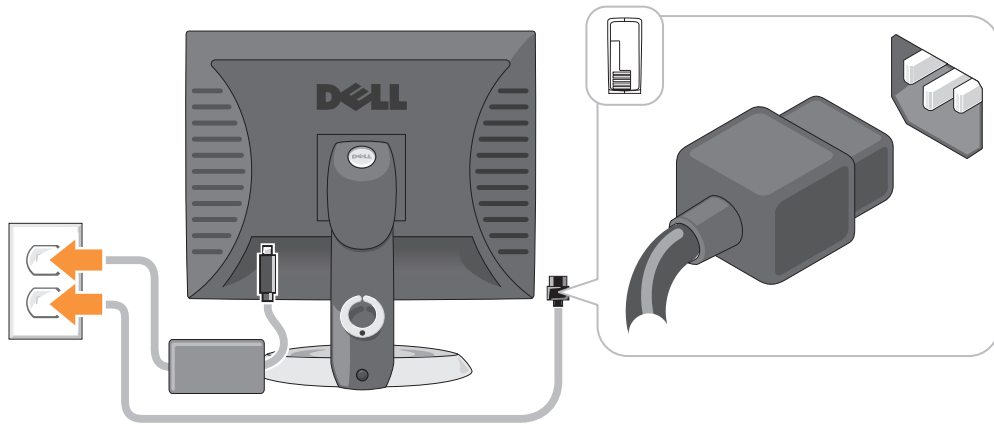
Aufstellen von Tastatur und Maus



Anschließen des Bildschirms



Stromanschlüsse



Problemlösung

Dell stellt eine Reihe von Hilfswerkzeugen zur Verfügung, die Ihnen bei Problemen mit dem Computer weiterhelfen. Neueste Informationen zur Fehlerbehebung an Ihrem Computer finden Sie auf der Support-Website von Dell unter support.dell.com.

Wenn Probleme mit dem Computer auftreten, für deren Lösung Sie die Hilfe von Dell benötigen, erstellen Sie eine detaillierte Beschreibung des Fehlers, des Signaltoncodes oder der Diagnoseanzeige. Tragen Sie unten den Express-Servicecode und die Service-Tag-Nummer ein, und rufen Sie Dell von der Nähe Ihres Computers aus an. Informationen zur Kontaktaufnahme mit Dell finden Sie im *Online-Benutzerhandbuch*.

Beispiele für den Express-Servicecode und die Service-Tag-Nummer finden Sie unter „Informationsquellen“ im *Benutzerhandbuch* zu Ihrem Computer.

Express-Servicecode: _____

Service-Tag-Nummer: _____

Dell Diagnostics

⚠ VORSICHT: Bevor Sie Anweisungen an den in diesem Abschnitt beschriebenen Komponenten ausführen, lesen Sie erst die Sicherheitshinweise im *Produktinformationshandbuch*.

Wann wird das Programm Dell Diagnostics eingesetzt?

Wenn eine Störung am Computer auftritt, führen Sie zuerst die Tests unter „Beheben von Störungen“ in Ihrem *Online-Benutzerhandbuch* durch und führen Sie das Programm „Dell Diagnostics“ aus, bevor Sie Dell kontaktieren, um technische Hilfe zu erhalten. Informationen zur Kontaktaufnahme mit Dell finden Sie im *Online-Benutzerhandbuch*.

🔄 HINWEIS: Dell Diagnostics läuft nur auf Dell™-Computern.

Starten Sie das System-Setup-Programm (weitere Anweisungen finden Sie unter „System-Setup-Programm“ in Ihrem *Online-Benutzerhandbuch*), überprüfen Sie die Konfigurationsdaten Ihres Computers und stellen Sie sicher, dass das zu testende Gerät im System-Setup-Programm angezeigt wird und aktiv ist. Starten Sie Dell Diagnostics entweder von Ihrer Festplatte oder von der optionalen *Drivers and Utilities CD (ResourceCD)* benutzen.

Starten von Dell Diagnostics vom Festplattenlaufwerk

- 1 Schalten Sie den Computer ein bzw. führen Sie einen Neustart durch.
- 2 Wenn das DELL-Logo angezeigt wird, drücken Sie sofort <F12>.



ANMERKUNG: Wenn eine Meldung angezeigt wird, dass keine Partition für ein Diagnose-Dienstprogramm gefunden wurde, starten Sie Dell Diagnostics über die optionale *Drivers and Utilities CD* (siehe „Starten von Dell Diagnostics von der Drivers and Utilities CD“ auf Seite 167).

Falls zu lange gewartet wurde und das Betriebssystem-Logo erscheint, warten Sie, bis der Microsoft® Windows®-Desktop angezeigt wird. Fahren Sie danach den Computer herunter und versuchen Sie es erneut.

Wenn die Liste der Startgeräte erscheint, markieren Sie **Starten in die Programmpartition** und drücken Sie auf die <Eingabetaste>.

- 3 Wenn das **Hauptmenü** des Programms „Dell Diagnostics“ erscheint, wählen Sie den gewünschten Test aus.

Starten von Dell Diagnostics von der Drivers and Utilities CD

- 1 Legen Sie die *Drivers and Utilities CD* ein.
- 2 Computer herunterfahren und erneut starten.

Wenn das DELL-Logo angezeigt wird, drücken Sie sofort <F12>.

Schalten Sie den Computer ein (oder führen Sie einen Neustart durch). Fahren Sie danach den Computer herunter und versuchen Sie es erneut.



ANMERKUNG: Durch die nächsten Schritte wird die Startreihenfolge einmalig geändert. Bei dem nächsten Systemstart startet der Computer entsprechend den im System-Setup-Programm angegebenen Geräten.

- 3 Wenn die Liste der startfähigen Geräte angezeigt wird, markieren Sie die Auflistung für das CD/DVD-Laufwerk und drücken Sie auf die <Eingabetaste>.
- 4 Wählen Sie im CD-Startmenü die Auflistung für die Option „CD/DVD Drive“ (CD/DVD-Laufwerk) aus.
- 5 Wählen Sie im angezeigten Menü die Option zum Starten vom CD/DVD-Laufwerk aus.
- 6 Geben Sie 1 ein, um das Menü der *Drivers and Utilities CD* aufzurufen.
- 7 Geben Sie 2 ein, um „Dell Diagnostics“ zu starten.
- 8 Wählen Sie **Run Dell 32-bit Diagnostics** (Dell 32-Bit-Diagnose ausführen) aus der nummerierten Liste aus. Wählen Sie die für Ihren Computer zutreffende Version aus, wenn mehrere Versionen aufgelistet werden.
- 9 Wenn das **Hauptmenü** des Programms „Dell Diagnostics“ erscheint, wählen Sie den gewünschten Test aus.

Hauptmenü des Programms Dell Diagnostics

- 1 Klicken Sie, nachdem Dell Diagnostics geladen und nachdem das **Hauptmenü** angezeigt wird, auf die Schaltfläche für die von Ihnen gewünschte Option.

Option	Funktion
Express Test (Schnelltest)	Es wird ein Schnelltest der Geräte durchgeführt. Dieser Test dauert normalerweise etwa 10 bis 20 Minuten. Es ist keine Benutzeraktion erforderlich. Führen Sie den Express Test (Schnelltest) zuerst aus, um die Möglichkeit zum schnellen Auffinden des Problems zu erhöhen.
Erweiterter Test	Es wird ein ausführlicher Test der Geräte durchgeführt. Dieser Test dauert normalerweise mindestens eine Stunde und erfordert die Beantwortung einiger Fragen.
Custom Test (Benutzerdefinierter Test)	Es wird ein bestimmtes Gerät geprüft. Die auszuführenden Tests können vom Benutzer angepasst werden.
Symptom Tree (Problemübersicht)	Listet die am häufigsten vorkommenden Symptome auf und lässt zu, dass Sie einen Test wählen, der auf dem Symptom der vorliegenden Störung basiert.

- 2 Wenn beim Test eine Störung gefunden wird, wird eine Meldung mit dem Fehlercode und eine Beschreibung der Störung angezeigt. Notieren Sie den Fehlercode und die Problembeschreibung und folgen Sie den Anweisungen auf dem Bildschirm.

Kann das Problem nicht gelöst werden, wenden Sie sich an Dell. Informationen zur Kontaktaufnahme mit Dell finden Sie im *Online-Benutzerhandbuch*.

 **ANMERKUNG:** Die Service-Tag-Nummer des Computers finden Sie im oberen Bereich der einzelnen Testanzeigen. Wenn Sie bei Dell anrufen, fragt Sie der Technische Support nach der Service-Tag-Nummer.

- 3 Klicken Sie beim Ausführen eines Tests im **benutzerdefinierten Test** oder mit der Option **Symptom Tree** (Problemübersicht) auf das in der folgenden Tabelle beschriebene zutreffende Register, um weitere Informationen zu erhalten.

Registerkarte	Funktion
Ergebnisse	Es werden die Testergebnisse und möglicherweise gefundene Probleme angezeigt.
Fehler	Es werden die gefundenen Fehler, die Fehlercodes und eine Beschreibung des Problems angezeigt.
Hilfe	Beschreibt den Test und verweist auf mögliche Voraussetzungen für die Durchführung des Tests.
Konfiguration	Die Hardware-Konfiguration der ausgewählten Geräte wird angezeigt. Das Programm Dell Diagnostics sammelt über das System-Setup-Programm, den Speicher und verschiedene interne Tests Konfigurationsinformationen für alle Geräte. Diese Informationen werden in der Geräteliste auf der linken Seite des Fensters angezeigt. In der Geräteliste werden möglicherweise nicht die Namen aller Geräte angezeigt, die im Computer installiert oder daran angeschlossen sind.
Parameter	Sie können den Test durch Änderungen an den Einstellungen an Ihre Bedürfnisse anpassen.

- 4 Nachdem die Tests abgeschlossen sind, wenn Sie „Dell Diagnostics“ von der *optionalen Drivers and Utilities* CD ausführen, entfernen Sie die CD.
- 5 Schließen Sie den Testbildschirm und kehren Sie zum **Hauptmenü** zurück. Schließen Sie zum Beenden von Dell Diagnostics und zum Neustart des Computers das **Hauptmenü**.

Systemanzeigen

Die Stromversorgungsanzeige könnte auf ein Problem mit dem Computer hinweisen.

Stromversorgungslicht	Problembeschreibung	Lösungsvorschlag
Stetig grün leuchtend	Der Computer wird mit Strom versorgt und arbeitet ordnungsgemäß.	Keine Korrekturmaßnahme erforderlich
Grün blinkend	Der Computer befindet sich im Energiesparmodus.	Drücken Sie den Betriebsschalter, bewegen Sie die Maus, oder drücken Sie eine beliebige Taste auf der Tastatur, um den Computer wieder zu aktivieren.
Mehrmals grün blinkend, anschließend aus	Es liegt ein Konfigurationsfehler vor.	Prüfen Sie die Diagnoseanzeigen, um festzustellen, ob sich das genaue Problem ausfindig machen lässt (siehe „Diagnoseanzeigen“ auf Seite 170).
Stetig gelb leuchtend	Ein Gerät auf der Systemplatine ist möglicherweise defekt oder wurde nicht ordnungsgemäß installiert. Alternativ könnte auch der Spannungswahlschalter für das Netzteil inkorrekt definiert worden sein.	Prüfen Sie die Diagnoseanzeigen, um festzustellen, ob sich das genaue Problem ausfindig machen lässt (siehe „Diagnoseanzeigen“ auf Seite 170). Informationen finden Sie unter „Probleme mit der Stromversorgung“ in Ihrem <i>Online-Benutzerhandbuch</i> . Startet der Computer nicht, wenden Sie sich an Dell, um technische Unterstützung anzufordern. Informationen zur Kontaktaufnahme mit Dell finden Sie im <i>Online-Benutzerhandbuch</i> .
Gelb blinkend	Es ist ein Ausfall bei der Stromversorgung oder der Systemplatine aufgetreten.	Prüfen Sie die Diagnoseanzeigen, um festzustellen, ob sich das genaue Problem ausfindig machen lässt (siehe „Diagnoseanzeigen“ auf Seite 170). Informationen finden Sie unter „Probleme mit der Stromversorgung“ in Ihrem <i>Online-Benutzerhandbuch</i> . Startet der Computer nicht, wenden Sie sich an Dell, um technische Unterstützung anzufordern. Informationen zur Kontaktaufnahme mit Dell finden Sie im <i>Online-Benutzerhandbuch</i> .
Stetig grün leuchtend, Signaltoncode während des POST	Beim Ausführen des BIOS wurde ein Fehler erkannt.	Unter „Signaltoncodes“ auf Seite 172 finden Sie Anleitungen zur Diagnose des Signaltoncodes. Überprüfen Sie auch die Diagnoseanzeigen um festzustellen, ob es sich um ein bekanntes Problem handelt.


Stromversorgungslicht	Problembeschreibung	Lösungsvorschlag
Stromanzeige stetig grün leuchtend, kein Signaltoncode oder keine Anzeige während des POST	Der Bildschirm oder die Grafikkarte ist möglicherweise fehlerhaft oder nicht ordnungsgemäß installiert.	Überprüfen Sie die Diagnoseanzeigen, um festzustellen, ob das bestimmte Problem erkannt wurde.
Stromversorgungslicht stetig grün leuchtend, kein Signaltoncode während des POST, Computer stürzt bei POST ab	Eine auf der Systemplatine integrierte Komponente ist möglicherweise fehlerhaft.	Überprüfen Sie die Diagnoseanzeigen, um festzustellen, ob das bestimmte Problem erkannt wurde. Wenn Sie das Problem nicht finden können, wenden Sie sich an Dell, um technische Unterstützung anzufordern. Informationen zur Kontaktaufnahme mit Dell finden Sie im <i>Online-Benutzerhandbuch</i> .



Diagnoseanzeigen

 **VORSICHT:** Bevor Sie Anweisungen an den in diesem Abschnitt beschriebenen Komponenten ausführen, lesen Sie erst die Sicherheitshinweise im *Produktinformationshandbuch*.




Um Ihnen die Behebung einer Störung zu erleichtern, verfügt Ihr Computer an der Vorder- oder Rückseite über vier Anzeigen, die mit „1“, „2“, „3“, und „4“ gekennzeichnet sind. Die Anzeigen können ausgeschaltet sein oder grün leuchten. Wenn der Computer normal hochfährt, ändern sich die Muster oder Codes der Anzeigen, sobald der Startvorgang abgeschlossen ist. Wenn der Einschalt-Selbsttest des Systemstarts erfolgreich war, leuchten alle vier Anzeigen kurz grün auf und werden dann abgeschaltet.

Wenn beim Abarbeiten der POST-Routine ein Fehler auftritt, geben die von den LEDs angezeigten Muster einen Hinweis auf den Vorgang, bei dem der Fehler aufgetreten ist. Wenn der Computer nach dem Einschalt-Selbsttest eine Fehlfunktion aufweist, zeigen die Diagnoseanzeigen nicht die Ursache der Fehlfunktion an.

 **ANMERKUNG:** Die Ausrichtung der Diagnoseanzeigen variiert möglicherweise in Abhängigkeit vom Systemtyp. Die Diagnoseanzeigen sind entweder vertikal oder horizontal ausgerichtet.

Leuchtmuster	Problembeschreibung	Lösungsvorschlag
	Der Computer ist entweder abgeschaltet oder ein Pre-BIOS-Fehler ist aufgetreten. Die Diagnoseanzeigen leuchten nicht, wenn der Computer das Betriebssystem ordnungsgemäß gestartet hat.	Schließen Sie den Computer an eine funktionierende Steckdose an, und drücken Sie den Betriebsschalter.
	Es ist möglicherweise ein BIOS-Fehler aufgetreten; der Computer befindet sich im Wiederherstellungsmodus.	Führen Sie das BIOS-Wiederherstellungsprogramm aus, warten Sie, bis die Wiederherstellung abgeschlossen ist, und starten Sie den Computer neu.

Leuchtmuster	Problembeschreibung	Lösungsvorschlag
① ② ③ ④	Möglicherweise ist ein Fehler im Prozessor aufgetreten.	Installieren Sie den Prozessor erneut und starten Sie den Computer neu. Informationen, wie Sie den Prozessor neu installieren, finden Sie in Ihrem <i>Online-Benutzerhandbuch</i> .
① ② ③ ④	Die Speichermodule wurden erkannt, es ist jedoch ein Speicherfehler aufgetreten.	<ul style="list-style-type: none"> • Wenn ein Speichermodul installiert ist, installieren Sie dieses neu und starten dann den Computer neu. Weitere Informationen zur erneuten Installation der Speichermodule finden Sie in Ihrem <i>Online-Benutzerhandbuch</i>. • Wenn zwei oder mehr Speichermodule installiert sind, entfernen Sie die Module, installieren ein Modul neu und starten dann den Computer neu. Installieren Sie ein weiteres Modul neu, wenn der Computer beim Neustart normal hochfährt. Fahren Sie damit fort, bis Sie ein fehlerhaftes Modul identifiziert oder alle Module fehlerfrei neu installiert haben. • Installieren Sie gegebenenfalls ordnungsgemäß funktionierende Speichermodule des gleichen Typs in Ihrem Computer. • Wenn das Problem fortbesteht, wenden Sie sich an Dell. Informationen zur Kontaktaufnahme mit Dell finden Sie im <i>Online-Benutzerhandbuch</i>.
① ② ③ ④	Möglicherweise ist ein Fehler bei der Grafikkarte aufgetreten.	<ul style="list-style-type: none"> • Wenn der Computer mit einer Grafikkarte ausgestattet ist, entfernen Sie die Karte, installieren Sie sie neu und starten Sie den Computer neu. • Wenn das Problem fortbesteht, installieren Sie eine Grafikkarte, die nachweislich funktioniert, und starten Sie den Computer neu. • Wenn das Problem fortbesteht oder der Computer eine integrierte Grafikkarte besitzt, wenden Sie sich an Dell. Informationen zur Kontaktaufnahme mit Dell finden Sie im <i>Online-Benutzerhandbuch</i>.
① ② ③ ④	Ein möglicher Disketten- oder Festplattenlaufwerkfehler ist aufgetreten.	Schließen Sie alle Strom- und Datenkabel erneut an und starten Sie den Computer neu.
① ② ③ ④	Ein möglicher USB-Fehler ist aufgetreten.	Installieren Sie alle USB-Komponenten neu, überprüfen Sie die Kabelverbindungen und starten Sie anschließend den Computer neu.

Leuchtmuster	Problembeschreibung	Lösungsvorschlag
	Es wurden keine Speichermodule erkannt.	<ul style="list-style-type: none"> • Wenn ein Speichermodul installiert ist, installieren Sie dieses neu und starten dann den Computer neu. Weitere Informationen zur erneuten Installation der Speichermodule finden Sie in Ihrem Online-<i>Benutzerhandbuch</i>. • Wenn zwei oder mehr Speichermodule installiert sind, entfernen Sie die Module, installieren ein Modul neu und starten dann den Computer neu. Installieren Sie ein weiteres Modul neu, wenn der Computer beim Neustart normal hochfährt. Fahren Sie damit fort, bis Sie ein fehlerhaftes Modul identifiziert oder alle Module fehlerfrei neu installiert haben. • Installieren Sie gegebenenfalls ordnungsgemäß funktionierende Speichermodule des gleichen Typs in Ihrem Computer. • Wenn das Problem fortbesteht, wenden Sie sich an Dell. Informationen zur Kontaktaufnahme mit Dell finden Sie im <i>Online-Benutzerhandbuch</i>.
	Die Speichermodule wurden erkannt, es besteht jedoch ein Speicherkonfigurations- oder Kompatibilitätsfehler.	<ul style="list-style-type: none"> • Vergewissern Sie sich, dass keine besonderen Anforderungen für die Anordnung der Speichermodule/Speicheranschlüsse bestehen. • Stellen Sie sicher, dass die Speichermodule, die Sie installieren wollen, mit dem Computer kompatibel sind. • Besteht das Problem weiterhin, wenden Sie sich an Dell. Informationen zur Kontaktaufnahme mit Dell finden Sie im <i>Online-Benutzerhandbuch</i>.
	Ein Fehler ist aufgetreten. Dieses Muster wird auch angezeigt, wenn Sie das System-Setup-Programm aufrufen. Es deutet daher nicht notwendigerweise auf ein Problem hin.	<ul style="list-style-type: none"> • Vergewissern Sie sich, dass die Kabel vom Festplattenlaufwerk, CD-Laufwerk und DVD-Laufwerk richtig an der Systemplatine angeschlossen sind. • Überprüfen Sie die auf dem Bildschirm angezeigte Computermeldung. • Wenn das Problem fortbesteht, wenden Sie sich an Dell. Informationen zur Kontaktaufnahme mit Dell finden Sie im <i>Online-Benutzerhandbuch</i>.

Signaltoncodes

Während des Startvorgangs gibt der Computer möglicherweise eine Reihe von Signaltönen ab, wenn auf dem Bildschirm keine Fehlermeldungen oder Probleme angezeigt werden können. Anhand dieser Reihe von Signaltönen, die auch als Signaltoncode bezeichnet werden, lässt sich ein Problem identifizieren. Ein Signaltoncode (Code 1 3-1) besteht beispielsweise aus einem einzelnen Signaltone, einer Folge von drei Signaltönen und wieder einem einzelnen Signaltone. Dieser Signaltoncode weist auf ein Speicherproblem beim Computer hin.

Wenn Ihr Computer während des Startvorgangs Signaltöne ausgibt:

- 1 Notieren Sie den Signaltoncode.
- 2 Lesen Sie den Abschnitt „Dell Diagnostics“ auf Seite 166, um eine gravierendere Ursache zu ermitteln.
- 3 Wenden Sie sich an Dell, falls Sie technische Unterstützung brauchen. Informationen zur Kontaktaufnahme mit Dell finden Sie im *Online-Benutzerhandbuch*.

Code	Ursache	Code	Ursache
1-1-2	Registerfehler im Mikroprozessor	3-1-4	Fehler beim Slave-Interruptmaskenregister
1-1-3	NVRAM Lese-/Schreibfehler	3-2-2	Ladefehler des Interrupt-Vektors
1-1-4	ROM-BIOS-Prüfsummenfehler	3-2-4	Fehler beim Testen des Tastatur-Controllers
1-2-1	Programmierbarer Intervallzeitgeberfehler	3-3-1	Unterbrechung der NVRAM-Stromversorgung
1-2-2	DMA-Initialisierungsfehler	3-3-2	Unzulässige NVRAM-Konfiguration
1-2-3	DMA-Seitenregister-Schreib-/Lese-Fehler	3-3-4	Fehler beim Testen des Videospeichers
1-3	Fehler beim Testen des Videospeichers	3-4-1	Bildschirminitialisierung versagt
1-3-1 bis 2-4-4	Speicher wird nicht ordnungsgemäß erkannt oder verwendet	3-4-2	Bildschirmneuezeichnung versagt
3-1-1	Fehler beim Slave-DMA-Register	3-4-3	Fehler bei der Suche nach dem Video-ROM
3-1-2	Fehler beim Master-DMA-Register	4-2-1	Kein Zeitgeber-Tick
3-1-3	Fehler beim Master-Interruptmaskenregister	4-2-2	Shutdown failure (Fehler beim Herunterfahren)
4-2-3	Gate A20 failure (Gate A20 versagt)	4-4-1	Fehler beim Testen der seriellen oder parallelen Ports
4-2-4	Unexpected interrupt in protected mode (Unerwarteter Interrupt im geschützten Modus)	4-4-2	Fehler beim Dekomprimieren von Code im Shadow-RAM
4-3-1	Speicherfehler oberhalb von Adresse 0FFFFh	4-4-3	Fehler beim Testen des mathematischen Coprozessors
4-3-3	Zeitgeber-Chipzähler 2 ausgefallen	4-4-4	Fehler beim Cache-Speichertest
4-3-4	Time-of-day clock stopped (Tagesuhr angehalten)		

Beheben von Software- und Hardware-Inkompatibilitäten


Wenn ein Gerät während des Betriebssystem-Setups nicht erkannt wird oder zwar erkannt, aber nicht korrekt konfiguriert wird, können Sie die Inkompatibilität mit dem „Ratgeber bei Hardware-Konflikten“ beheben.

- 1 Klicken Sie auf die Schaltfläche **Start** und auf **Hilfe und Support**.

- 2 Geben Sie im Feld **Suchen** den Begriff `hardware troubleshooter` (Ratgeber bei Hardware-Konflikten) ein, und klicken Sie anschließend auf den Pfeil, um mit der Suche zu beginnen.
- 3 Klicken Sie in der Liste **Suchergebnisse** auf **Ratgeber bei Hardware-Konflikten**.
- 4 Klicken Sie in der Liste **Ratgeber bei Hardware-Konflikten** auf **Ein Hardware-Konflikt auf dem Computer muss gelöst werden** und dann auf **Weiter**.

Verwenden der Microsoft Windows XP-Systemwiederherstellung


Das Betriebssystem Microsoft Windows XP bietet die Möglichkeit der Systemwiederherstellung, damit Sie Ihren Computer nach Änderungen an der Hardware und Software oder sonstiger Systemeinstellungen wieder in einen früheren Betriebszustand zurückversetzen können (ohne dabei die Arbeitsdateien zu beeinträchtigen), wenn die vorgenommenen Änderungen nicht den gewünschten Erfolg zeigten oder zu Fehlfunktionen führten. Informationen über die Verwendung der Systemwiederherstellung finden Sie im Hilfe- und Supportcenter von Windows. Hinweise zum Zugriff auf das Hilfe- und Supportcenter von Windows finden Sie auf „Windows Hilfe- und Supportcenter“ auf Seite 126.

 **HINWEIS:** Erstellen Sie von allen Arbeitsdateien regelmäßig Sicherungskopien. Ihre Arbeitsdateien können durch die Systemwiederherstellung nicht überwacht oder wiederhergestellt werden.

Erstellen einer Wiederherstellungsreferenz

- 1 Klicken Sie auf die Schaltfläche **Start** und anschließend auf **Hilfe und Support**.
- 2 Klicken Sie auf **Systemwiederherstellung**.
- 3 Folgen Sie den Anweisungen auf dem Bildschirm.

Zurückversetzen des Computers in einen früheren Betriebszustand

 **HINWEIS:** Speichern und schließen Sie alle geöffneten Dateien und beenden Sie alle geöffneten Programme, bevor Sie den Computer in einen früheren Betriebszustand zurückversetzen. Ändern, öffnen oder löschen Sie keine Dateien oder Programme, bis die Systemwiederherstellung vollständig abgeschlossen ist.

- 1 Klicken Sie auf die Schaltfläche **Start**, zeigen Sie auf **Alle Programme** → **Zubehör** → **Systemprogramme**, und klicken Sie dann auf **Systemwiederherstellung**.
- 2 Stellen Sie sicher, dass die Option **Restore my computer to an earlier time** (Computer zu einem früheren Zeitpunkt wiederherstellen) ausgewählt ist, und klicken Sie auf **Next** (Weiter).
- 3 Klicken Sie auf das Kalenderdatum des Betriebssystemzustands, zu dem der Computer wiederhergestellt werden soll.

Im Fenster **Eine Wiederherstellungsreferenz wählen** können Sie den Kalender verwenden, um Wiederherstellungsreferenzen anzuzeigen und auszuwählen. Alle Kalenderdaten, für den Wiederherstellungsreferenzen vorhanden sind, werden fett formatiert dargestellt.

- 4 Wählen Sie eine Wiederherstellungsreferenz aus und klicken Sie auf **Weiter**.

Wenn für dieses Kalenderdatum nur eine einzige Wiederherstellungsreferenz vorhanden ist, wird diese automatisch ausgewählt. Falls zwei oder mehrere Wiederherstellungsreferenzen vorhanden sind, klicken Sie auf die gewünschte Wiederherstellungsreferenz.

- 5 Klicken Sie auf **Weiter**.

Das Dialogfeld **Wiederherstellung abgeschlossen** wird angezeigt, nachdem die Systemwiederherstellung das Sammeln von Daten abgeschlossen hat. Anschließend startet der Computer neu.

- 6 Klicken Sie nach dem Neustart auf **OK**.

Um die Wiederherstellungsreferenz zu ändern, können Sie entweder die Schritte mit einer anderen Wiederherstellungsreferenz wiederholen oder die Wiederherstellung rückgängig machen.

Zurücksetzen der letzten Systemwiederherstellung



HINWEIS: Speichern und schließen Sie alle geöffneten Dateien, und beenden Sie alle geöffneten Programme, bevor Sie die letzte Systemwiederherstellung rückgängig machen. Ändern, öffnen oder löschen Sie keine Dateien oder Programme, bis die Systemwiederherstellung vollständig abgeschlossen ist.

- 1 Klicken Sie auf die Schaltfläche **Start**, zeigen Sie auf **Alle Programme** → **Zubehör** → **Systemprogramme**, und klicken Sie auf **Systemwiederherstellung**.
- 2 Klicken Sie auf **Letzte Wiederherstellung rückgängig machen** und auf **Weiter**.
- 3 Klicken Sie auf **Weiter**.

Das Fenster **Systemwiederherstellung** wird angezeigt. Anschließend startet der Computer neu.

- 4 Klicken Sie nach dem Neustart auf **OK**.

Aktivieren der Systemwiederherstellung

Falls nach einer erneuten Installation von Windows XP weniger als 200 MB freier Speicherplatz auf der Festplatte verbleiben, wird die Systemwiederherstellungsfunktion automatisch deaktiviert. So stellen Sie fest, dass die Systemwiederherstellung aktiv ist:

- 1 Klicken Sie auf die Schaltfläche **Start** und anschließend auf **Systemsteuerung**.
- 2 Klicken Sie auf **Leistung und Wartung**.
- 3 Klicken Sie auf **System**.
- 4 Klicken Sie auf die Registerkarte **Systemwiederherstellung**.
- 5 Stellen Sie sicher, dass die Option **Systemwiederherstellung deaktivieren** nicht markiert ist.

Neuinstallation von Microsoft Windows XP

Zum Einstieg



ANMERKUNG: Die Anweisungen in diesem Dokument wurden für die Windows Standardansicht in Windows XP Home Edition geschrieben. Die Schritte werden daher anders sein, wenn Sie Ihren Dell-Computer zur klassischen Ansicht wechseln oder Windows XP Professional verwenden.

Wenn Sie das Betriebssystem Windows XP neu installieren möchten, um ein Problem mit einem neu installierten Treiber zu beheben, probieren Sie zunächst die Rücksetzfunktion von Windows XP.

- 1 Klicken Sie auf die Schaltfläche **Start** und auf **Systemsteuerung**.
- 2 Klicken Sie bei **Eine Kategorie wählen** auf **Leistung und Wartung**.
- 3 Klicken Sie auf **System**.

- 4 Klicken Sie im Bildschirm **Systemeigenschaften** auf die Registerkarte **Hardware**.
- 5 Klicken Sie auf **Geräte-Manager**.
- 6 Klicken Sie mit der rechten Maustaste auf die Geräte, für die ein neuer Treiber installiert wurde, und anschließend auf **Eigenschaften**.
- 7 Klicken Sie auf die Registerkarte **Treiber**.
- 8 Klicken Sie auf **Installierter Treiber**.

Verwenden Sie die Systemwiederherstellung, wenn die Rücksetzfunktion für Gerätetreiber das Problem nicht löst (siehe „Verwenden der Microsoft Windows XP-Systemwiederherstellung“ auf Seite 174), um das Betriebssystem wieder in den Zustand vor der Installation des neuen Treibers zurückzusetzen.



ANMERKUNG: Die *Drivers and Utilities* CD enthält die Treiber, die während der Montage des Computers installiert wurden. Verwenden Sie die *Drivers and Utilities* CD zum Laden von allen erforderlichen Treibern, einschließlich der erforderlichen Treiber, wenn Sie über einen Computer mit RAID-Controller verfügen.

Neu Installieren von Windows XP



HINWEIS: Wenn Sie Windows XP neu installieren, müssen Sie das Windows XP Service Pack 1 oder höher verwenden.



HINWEIS: Vor der Installation erstellen Sie erst eine Sicherungskopie der Daten auf dem ersten Festplattenlaufwerk. In herkömmlichen Festplattenkonfigurationen handelt es sich bei dem primären Festplattenlaufwerk um das zuerst vom Computer erkannte Laufwerk.

Zur Neuinstallation von Windows XP benötigen Sie Folgendes:

- Dell-Betriebssystem-CD
- Dell *Drivers and Utilities* CD

Führen Sie zum neu Installieren von Windows XP die Anweisungen in den folgenden Abschnitten in der angegebenen Reihenfolge aus.

Der Neuinstallationsvorgang kann 1 bis 2 Stunden in Anspruch nehmen. Nach der Neuinstallation des Betriebssystems müssen Sie auch die Gerätetreiber, das Virenschutzprogramm und andere Software neu installieren.



HINWEIS: Die *Betriebssystem*-CD-ROM bietet Optionen zur Neuinstallation von Windows XP. Mit diesen Optionen können Dateien überschrieben und Programme beeinträchtigt werden, die auf der Festplatte installiert sind. Installieren Sie deshalb Windows XP nur dann neu, wenn Sie von einem Mitarbeiter des technischen Supports von Dell dazu angewiesen wurden.



HINWEIS: Um Konflikte zu vermeiden, muss vor der Neuinstallation von Windows XP auf dem System vorhandene Virenschutz-Software deaktiviert werden. Anleitungen dazu finden Sie in der Dokumentation der jeweiligen Software.

Starten von der Betriebssystem-CD

- 1 Speichern und schließen Sie alle geöffneten Dateien und beenden Sie alle geöffneten Programme.
- 2 Legen Sie die *Betriebssystem*-CD ein. Klicken Sie auf **Beenden**, wenn die Meldung **Install Windows XP** (Windows XP installieren) angezeigt wird.
- 3 Starten Sie den Computer neu.
- 4 Drücken Sie <F12> sofort nachdem das Logo von DELL erscheint.

Falls bereits das Logo des Betriebssystems angezeigt wird, warten Sie, bis der Windows-Desktop erscheint, fahren Sie den Computer herunter, und versuchen Sie es noch einmal.

- 5 Wählen Sie mit den Pfeiltasten **CD-ROM** aus und drücken Sie dann die <Eingabetaste>.
- 6 Drücken Sie eine beliebige Taste, wenn die Meldung `Press any key to boot from CD` (Drücken Sie eine beliebige Taste, um von CD zu starten) angezeigt wird.

Windows XP Setup

- 1 Wenn der Bildschirm **Windows XP Setup** angezeigt wird, drücken Sie die <Eingabetaste>, um **Windows jetzt einrichten** auszuwählen.
- 2 Lesen Sie die Informationen auf der Anzeige **Microsoft Windows-Lizenzvereinbarung** und drücken Sie <F8>, um die Lizenzvereinbarung anzunehmen.
- 3 Wenn auf Ihrem Computer bereits Windows XP installiert ist und Ihre aktuellen Windows XP-Daten wiederhergestellt werden sollen, geben Sie `r` ein, um die Reparaturoption auszuwählen, und entnehmen Sie dann die CD dem Laufwerk.
- 4 Wenn Sie eine neue Kopie von Windows XP installieren möchten, drücken Sie <Esc>, um diese Option zu wählen.
- 5 Drücken Sie die <Eingabetaste>, um die markierte Partition auszuwählen (empfohlen) und befolgen Sie die Anweisungen auf dem Bildschirm.

Der Bildschirm **Windows XP Setup** wird angezeigt und das Betriebssystem beginnt damit, Dateien zu kopieren und die Geräte zu installieren. Im Verlauf dieses Vorgangs wird der Computer automatisch mehrmals neu gestartet.



ANMERKUNG: Die zur Installation benötigte Zeit hängt von der Größe der Festplatte und der Geschwindigkeit des Computers ab.



HINWEIS: Drücken Sie keine Taste, während die folgende Meldung angezeigt wird: `Press any key to boot from the CD` (Drücken Sie eine beliebige Taste zum Starten von der CD).

- 6 Wenn der Dialog **Regions- und Sprachoptionen** angezeigt wird, wählen Sie die Einstellungen für Ihren Standort aus und klicken Sie anschließend auf **Weiter**.
- 7 Geben Sie im Fenster **Benutzerinformationen** Ihren Namen und Ihre Firma (optional) an und klicken Sie anschließend auf **Weiter**.
- 8 Weisen Sie im Fenster **Computer Name and Administrator Password** (Computernamen und Administrator-Kennwort) einen Computernamen zu (oder akzeptieren Sie den bereits vorgegebenen), geben Sie ein Kennwort ein und klicken Sie auf **Weiter**.
- 9 Wenn der Bildschirm **Modemwählinformationen** angezeigt wird, geben Sie die erforderlichen Informationen ein und klicken Sie auf **Weiter**.
- 10 Geben Sie Im Fenster **Datum- und Uhrzeiteinstellungen** Datum, Uhrzeit und Zeitzone ein und klicken Sie anschließend auf **Weiter**.
- 11 Wenn der Bildschirm **Netzwerkeinstellungen** zeigt, klicken Sie auf **Typisch** und dann auf **Weiter**.
- 12 Wenn Sie Windows XP Professional neu installieren und zur Eingabe weiterer Informationen zur Netzwerkkonfiguration aufgefordert werden, geben Sie die entsprechenden Daten ein. Wenn Sie Ihre Einstellungen nicht genau kennen, bestätigen Sie die vorgegebenen Werte.

Windows XP installiert die Komponenten des Betriebssystems und konfiguriert den Computer. Der Computer wird automatisch neu gestartet.



HINWEIS: Drücken Sie keine Taste, während die folgende Meldung angezeigt wird: *Press any key to boot from the CD* (Zum Starten von CD beliebige Taste drücken).

- 13 Wenn der **Begrüßungs-Bildschirm von Microsoft** angezeigt wird, klicken Sie auf **Weiter**.
- 14 Wenn die Meldung *How will this computer connect to the Internet?* (Wie wird auf diesem Computer die Verbindung mit dem Internet hergestellt?) angezeigt wird, klicken Sie auf **Überspringen**.
- 15 Wenn der Bildschirm **Ready to register with Microsoft?** (Sich jetzt bei Microsoft eintragen?) angezeigt wird, wählen Sie **Nein, jetzt nicht** und klicken auf **Weiter**.
- 16 Wenn der Bildschirm **Who will use this computer?** (Wer wird diesen Computer verwenden?) angezeigt wird, können Sie bis zu fünf Benutzer eingeben.
- 17 Klicken Sie auf **Weiter**.
- 18 Klicken Sie auf **Fertig stellen**, um das Setup abzuschließen, und entnehmen Sie die CD aus dem Laufwerk.
- 19 Installieren Sie die entsprechenden Treiber erneut mit der *Drivers and Utilities* CD.
- 20 Installieren Sie gegebenenfalls Ihre Virenschutz-Software erneut.
- 21 Installieren Sie Ihre Programme erneut.



ANMERKUNG: Zur Neuinstallation und Aktivierung von Programmen der Microsoft Office oder Microsoft Works Suite müssen Sie die Product Key-Nummer, die sich auf der Rückseite der Microsoft Office oder Microsoft Works Suite CD-Hülle befindet, eingeben.

Verwenden der Drivers and Utilities CD

So verwenden Sie die *Drivers and Utilities* CD (*ResourceCD*), während Sie das Windows-Betriebssystem ausführen:



ANMERKUNG: Verwenden Sie für den Zugriff auf Gerätetreiber und Benutzer-Dokumentation die *Drivers and Utilities* CD, während Windows ausgeführt wird.

- 1 Schalten Sie den Computer ein und warten Sie, bis Windows gestartet wurde.
- 2 Legen Sie die *Drivers and Utilities* CD in das Laufwerk ein.
Wenn Sie die *Drivers and Utilities* CD zum ersten Mal auf diesem Computer verwenden, wird das Fenster **ResourceCD Installation** (Installation der ResourceCD) geöffnet, das Sie über den Beginn der Installation der *Drivers and Utilities* CD informiert.
- 3 Klicken Sie auf **OK**, um fortzufahren.
Folgen Sie den Bildschirmanweisungen des Installationsprogramms, um die Installation abzuschließen.
- 4 Klicken Sie im Bildschirm **Herzlichen Glückwunsch zum Kauf Ihres Dell Systems!** auf **Weiter**.

Treffen Sie eine geeignete Auswahl für **Systemmodell**, **Betriebssystem**, **Gerätetyp** und **Thema**.

Treiber für Ihren Computer

So erhalten Sie eine Liste der Gerätetreiber für Ihren Computer:

- 1 Klicken Sie auf **Meine Treiber** im Drop-Down-Menü **Thema**.

Die optionale *Drivers and Utilities* CD prüft die Hardware-Konfiguration des Computers und das Betriebssystem und zeigt dann auf dem Bildschirm eine Liste der Gerätetreiber für Ihre Systemkonfiguration an.

- 2 Wählen Sie den geeigneten Treiber aus und folgen Sie den Anweisungen zum Herunterladen.

Um eine Liste aller verfügbaren Treiber für Ihren Computer anzuzeigen, klicken Sie im Drop-Down-Menü **Thema** auf **Treiber**.

Stichwortverzeichnis

A

- Abdeckung
 - abnehmen, 145
- Anzeigen
 - Diagnose, 170
 - Stromversorgung, 134, 138
 - System, 169

B

- Beheben von Störungen
 - Computer auf früheren Systemzustand wiederherstellen, 174
 - Dell Diagnostics, 166
 - Diagnoseanzeigen, 170
 - Hilfe- und Supportcenter, 126
 - Konflikte, 173
 - Ratgeber bei, 173
 - Signaltoncodes, 172
 - Systemanzeigen, 169
- Benutzerhandbuch, 125
- Betriebssystem
 - neu installieren, 126
 - Neuinstallation von Windows XP, 175
- Betriebssystem-CD, 126

C

- CDs
 - Betriebssystem, 126

D

- Dell
 - Dell Diagnostics, 166
 - Support-Website, 127
- Diagnose
 - Dell, 166
 - Signaltoncodes, 172
- Dokumentation
 - Benutzerhandbuch, 125
 - Endbenutzerlizenzvereinbarung, 126
 - Ergonomie, 126
 - Garantie, 126
 - Online, 127
 - Produktinformationshandbuch, 126
 - Sicherheit, 126
 - Zulassung, 126
- Drivers and Utilities CD, 125

E

- Endbenutzerlizenzvereinbarung, 126
- Etiketten
 - Microsoft Windows, 127
 - Service-Tag-Nummer, 127

F

- Fehlermeldungen
 - Diagnoseanzeigen, 170
 - Signaltoncodes, 172
 - Systemanzeigen, 169

G

- Garantieinformationen, 126

H

- Hardware
 - Dell Diagnostics, 166
 - Signaltoncodes, 172
- Hauptplatine. *Siehe Systemplatine*
- Hauptplatine. *Siehe Systemplatine*
- Hilfe- und Supportcenter, 126
- Hilfedatei
 - Windows Hilfe- und Supportcenter, 126

I

- Informationen zur Ergonomie, 126
- Installieren von Teilen
 - Vorbereitung, 145

K

- Konflikte
 - Beheben von Software- und Hardware-Inkompatibilitäten, 173

L

Laufwerke
Liste von, 179

N

Neuinstallation
Windows XP, 175

P

Probleme
Dell Diagnostics, 166
Probleme. Siehe *Beheben von Störungen*
Produktinformationshandbuch,
126

R

Ratgeber bei Hardware-
Konflikten, 173

S

Service-Tag-Nummer, 127
Sicherheitshinweise, 126
Signaltoncodes, 172
Stromversorgung
Anzeige, 134, 138
Stromversorgungslicht
Probleme diagnostizieren, 169
Support-Website, 127
Systemplatine, 153, 156, 162
Systemwiederherstellung, 174

U

Unterbrechungsanforderungs
(IRQ)-Konflikte, 173

W

Windows XP
Hilfe- und Supportcenter, 126
neu installieren, 126
Neuinstallation, 175
Ratgeber bei Hardware-
Konflikten, 173
setup, 177
Systemwiederherstellung, 174

Z

Zulassungsinformationen, 126

Dell™ OptiPlex™ 745

Guida di consultazione rapida

Modelli DCTR, DCNE, DCSM e DCCY

www.dell.com | support.dell.com

N.B., Avvisi e Attenzione



N.B. Un N.B. contiene importanti informazioni per un migliore utilizzo del computer in dotazione.



AVVISO: Un AVVISO indica un potenziale danno all'hardware o perdita di dati, e suggerisce come evitare il problema.



ATTENZIONE: Un messaggio di **ATTENZIONE** indica una possibilità di danno a beni materiali, a persone o addirittura pericolo di morte.

Se si è acquistato un computer Dell™ Serie n, qualsiasi riferimento in questo documento ai sistemi operativi Microsoft® Windows® non è applicabile.

Le informazioni contenute in questo documento sono soggette a modifica senza preavviso.

© 2006 Dell Inc. Tutti i diritti riservati.

È severamente vietata la riproduzione, con qualsiasi strumento, senza l'autorizzazione scritta di Dell Inc.

Marchi commerciali utilizzati nel presente documento: *Dell*, il logo *DELL*, *Inspiron*, *Dell Precision*, *Dimension*, *OptiPlex*, *Latitude*, *PowerEdge*, *PowerVault*, *PowerApp* e *Dell OpenManage* sono marchi commerciali della Dell Inc.; *Intel*, *Pentium* e *Celeron* sono marchi depositati della Intel Corporation; *Microsoft* e *Windows* sono marchi depositati della Microsoft Corporation.

Altri marchi e nomi commerciali possono essere utilizzati in questo documento sia in riferimento alle aziende che rivendicano il marchio e i nomi che ai prodotti stessi. Dell Inc. nega qualsiasi partecipazione di proprietà relativa a marchi e nomi commerciali diversi da quelli di sua proprietà.

Modelli DCTR, DCNE, DCSM e DCCY

Agosto 2006

N/P KH287


Rev. A00

Sommario

Ricerca di informazioni	187
Viste del sistema	190
Computer minitorre — Vista anteriore	190
Computer minitorre — Vista posteriore	192
Computer minitorre — Connettori del pannello posteriore	193
Computer desktop — Vista anteriore.	195
Computer desktop — Vista posteriore	197
Computer desktop — Connettori del pannello posteriore	198
Computer con fattore di forma ridotto — Vista anteriore	199
Computer con fattore di forma ridotto — Vista posteriore.	201
Computer con fattore di forma ridotto — Connettori del pannello posteriore	202
Computer con fattore di forma ultraridotto — Vista anteriore.	203
Computer con fattore di forma ultraridotto — Vista laterale.	204
Computer con fattore di forma ultraridotto — Vista posteriore	205
Computer con fattore di forma ultraridotto — Connettori del pannello posteriore	205
Rimozione del coperchio del computer	207
Operazioni preliminari	207
Computer minitorre	208
Computer desktop.	209
Computer con fattore di forma ridotto	210
Computer con fattore di forma ultraridotto.	212
Esplorazione dell'interno del computer	214
Computer minitorre	214
Computer desktop.	217
Computer con fattore di forma ridotto	220
Computer con fattore di forma ultraridotto.	223
Configurazione del computer	225
Configurazione della tastiera e del mouse	227
Configurazione del monitor	227
Collegamenti all'alimentazione	228

Soluzione dei problemi	228
Dell Diagnostics.	228
Indicatori di sistema	231
Indicatori della diagnostica.	232
Codici bip	234
Risoluzione di incompatibilità del software e dell'hardware.	235
Uso del Ripristino configurazione di sistema di Microsoft Windows XP	236
Reinstallazione di Microsoft Windows XP	237
Uso del CD Drivers and Utilities	240
Driver per il computer.	240
 Indice analitico	 241

Ricerca di informazioni

 **N.B.** Alcune funzioni o applicazioni multimediali possono essere opzionali e non spediti con il computer. Alcune funzioni o applicazioni multimediali potrebbero non essere disponibili in alcuni Paesi.

 **N.B.** Informazioni supplementari potrebbero essere fornite assieme al computer.

Cosa si ricerca?

- Un programma diagnostico per il computer
- Driver per il computer
- Documentazione del computer
- Documentazione delle periferiche
- Desktop System Software (DSS)

Si trova qui

CD Drivers and Utilities (ResourceCD)

N.B. Il CD *Drivers and Utilities* può essere opzionale e potrebbe non essere spedito col computer.

La documentazione dell'utente e i driver sono preinstallati sul computer. È possibile utilizzare il CD per reinstallare i driver (consultare "Uso del CD Drivers and Utilities" a pagina 240), eseguire il programma Dell Diagnostics (consultare "Dell Diagnostics" a pagina 228) o accedere alla documentazione.



I file Leggimi possono essere compresi nel CD per fornire gli ultimi aggiornamenti a proposito di modifiche tecniche operate sul computer o materiale di riferimento tecnico avanzato per assistenti tecnici o utenti esperti.

N.B. Aggiornamenti dei driver e della documentazione sono disponibili all'indirizzo support.dell.com.

- Come rimuovere e sostituire componenti
- Specifiche
- Come configurare le impostazioni del sistema
- Come individuare e risolvere i problemi

Guida dell'utente di Dell™ OptiPlex™

Guida in linea e supporto tecnico di Microsoft Windows XP

- 1 Fare clic su **Start** → **Guida in linea e supporto tecnico** → **Guide dell'utente e di sistema** → **Guide dell'utente**.
- 2 Fare clic sulla *Guida dell'utente* del computer.

La *Guida dell'utente* è anche disponibile nel CD opzionale *Drivers and Utilities*.

Cosa si ricerca?

- Informazioni sulla garanzia
- Termini e condizioni (solo per gli Stati Uniti)
- Istruzioni di sicurezza
- Avvisi normativi
- Informazioni sull'ergonomia
- Contratto di licenza Microsoft con l'utente finale

Si trova qui

Guida alle informazioni sul prodotto Dell™



-
- Come reinstallare il sistema operativo

CD Sistema operativo

N.B. Il CD *Sistema operativo* può essere opzionale e potrebbe non essere spedito col computer.

Il sistema operativo è già installato nel computer. Per reinstallare il sistema operativo, utilizzare il CD *Sistema operativo* (consultare "Reinstallazione di Microsoft Windows XP" a pagina 237).



Dopo la reinstallazione del sistema operativo, utilizzare il CD *Drivers and Utilities* opzionale (*ResourceCD*) per reinstallare i driver per le periferiche fornite assieme al computer. Per maggiori informazioni, consultare "CD Drivers and Utilities (*ResourceCD*)" a pagina 187.

L'etichetta del product key del sistema operativo si trova sul computer (consultare "Numero di servizio e product key di Microsoft® Windows®" a pagina 189).

N.B. Il colore del CD *Sistema operativo* varia in base al sistema operativo ordinato.

-
- Come usare Windows XP
 - Come gestire programmi e file
 - Come personalizzare il desktop

Guida in linea e supporto tecnico di Windows

- 1 Fare clic su **Start** → **Guida in linea e supporto tecnico**.
- 2 Digitare una parola o una frase che descriva il problema e fare clic sull'icona della freccia.
- 3 Fare clic sull'argomento che descrive il problema.
- 4 Seguire le istruzioni visualizzate.

Cosa si ricerca?

- Numero di servizio e codice di servizio espresso
- Etichetta del product key di Microsoft Windows

Si trova qui

Numero di servizio e product key di Microsoft® Windows®

Queste etichette si trovano sul computer.

- Usare il Numero di servizio per identificare il computer quando si utilizza support.dell.com o ci si rivolge al supporto.
- Immettere il codice di servizio espresso per smistare la telefonata quando ci si rivolge al supporto.



- Soluzioni — suggerimenti per la risoluzione dei problemi, articoli di tecnici, corsi in linea e domande frequenti
- Comunità — discussione in linea con altri clienti Dell
- Aggiornamenti — informazioni di aggiornamento per componenti, quali ad esempio la memoria, il disco rigido e il sistema operativo
- Servizio clienti — recapiti, richiesta di assistenza e stato dell'ordine, e informazioni sulle garanzie e sulle riparazioni
- Servizio e supporto — stato delle richieste di assistenza, cronologia del supporto, contratto di assistenza e discussioni in linea con il supporto
- Riferimenti — documentazione per il computer, dettagli sulla configurazione del computer, specifiche dei prodotti e white paper
- Download — aggiornamenti di driver, patch e software certificati
- Desktop System Software (DSS) — Se si reinstalla il sistema operativo nel computer, va anche reinstallata l'utilità DSS. DSS rileva automaticamente il computer e il sistema operativo, e installa gli aggiornamenti appropriati per la configurazione, offrendo gli aggiornamenti importanti per il sistema operativo e il supporto per unità disco floppy USB da 3,5 pollici Dell™, processori Intel®, unità ottiche e periferiche USB. DSS è necessario per il corretto funzionamento del computer Dell.

Sito Web del supporto tecnico della Dell — support.dell.com

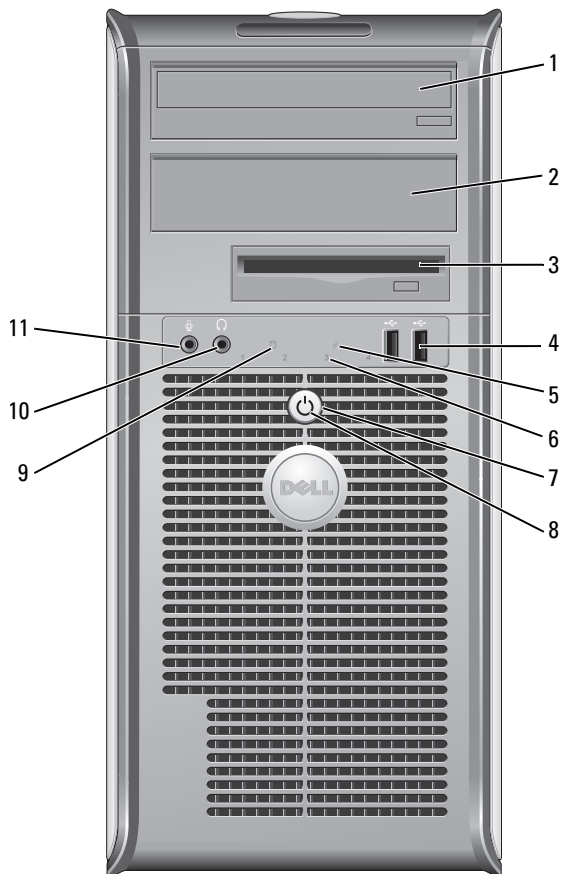
N.B. Selezionare il Paese o il settore commerciale per visualizzare il sito del supporto corretto.

Per scaricare Desktop System Software:



- 1 Visitare support.dell.com, selezionare il Paese o il settore commerciale, quindi immettere il Numero di servizio.
 - 2 Selezionare **Drivers & Downloads**, quindi fare clic su **Go** (Vai).
 - 3 Fare clic sul sistema operativo e poi trovare la parola chiave *Desktop System Software*.
- N.B.** L'interfaccia dell'utente support.dell.com potrebbe variare in base alle selezioni.

Viste del sistema

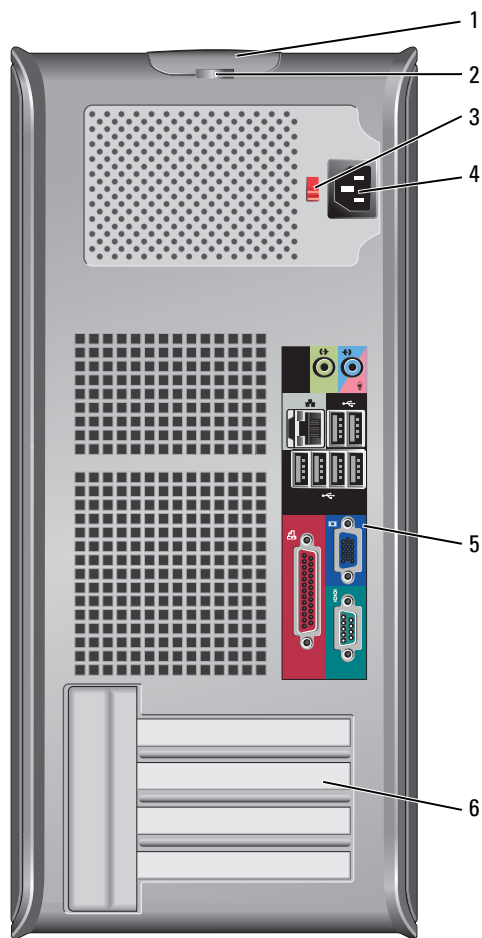
Computer minitorre — Vista anteriore



- | | | |
|---|-----------------------------------------|----------------------------------------------------------------------------------------------|
| 1 | alloggiamento per unità da 5,25 pollici | Può contenere un'unità ottica. Inserire un CD o DVD (se supportati) in questa unità. |
| 2 | alloggiamento per unità da 5,25 pollici | Può contenere un'unità ottica. Inserire un CD o DVD (se supportati) in questa unità. |
| 3 | alloggiamento per unità da 3,5 pollici | Può contenere un'unità disco floppy opzionale o un lettore di scheda multimediale opzionale. |

- 4 connettori USB 2.0 (2) Usare i connettori USB anteriori per collegare periferiche che si usano raramente, quali i joystick o le fotocamere, o per periferiche USB avviabili (per maggiori informazioni sull'avvio da una periferica USB, consultare la *Guida dell'utente* in linea).
Si consiglia di utilizzare i connettori USB posteriori per periferiche che di solito restano collegate, quali ad esempio le stampanti e le tastiere.
- 5 indicatore LAN Questo indicatore indica che è stabilita una connessione LAN (rete locale).
- 6 indicatori della diagnostica Utilizzare gli indicatori per contribuire a risolvere i problemi di un computer in base al codice di diagnostica. Per maggiori informazioni, consultare "Indicatori della diagnostica" a pagina 232.
- 7 pulsante di alimentazione
Premere questo pulsante per accendere il computer.
-  **AVVISO:** Per evitare la perdita di dati, non spegnere il computer premendo il pulsante di alimentazione, effettuare invece l'arresto del sistema operativo. Per maggiori informazioni, consultare "Operazioni preliminari" a pagina 207.
-  **AVVISO:** Se l'interfaccia ACPI è attivata nel sistema operativo, quando si preme il pulsante di alimentazione il computer esegue l'arresto del sistema operativo.
- 8 indicatore di alimentazione
L'indicatore di alimentazione si accende e lampeggia oppure rimane fisso ad indicare diverse modalità operative:
- Nessuna luce — Il computer è spento.
 - Verde fisso — Il computer è in un normale stato operativo.
 - Verde lampeggiante — Il computer si trova in modalità di risparmio energia.
 - Giallo lampeggiante o fisso — Consultare la *Guida dell'utente* in linea.
- Per uscire da una modalità di risparmio energia, premere il pulsante di alimentazione oppure premere un tasto sulla tastiera o spostare il mouse qualora siano configurati come periferiche di attivazione in Gestione periferiche di Windows. Per maggiori informazioni sulle modalità di sospensione e su come uscire da una modalità di risparmio energia, consultare la *Guida dell'utente* in linea.
- Consultare "Indicatori di sistema" a pagina 231 per una descrizione dei codici luminosi che forniscono informazioni utili per la risoluzione dei problemi relativi al computer.
- 9 spia di attività del disco rigido Questa spia lampeggia durante l'accesso al disco rigido.
- 10 connettore della cuffia Utilizzare il connettore della cuffia per collegare le cuffie e la maggior parte di tipi di altoparlanti.
- 11 connettore del microfono Utilizzare il connettore del microfono per collegare un microfono.

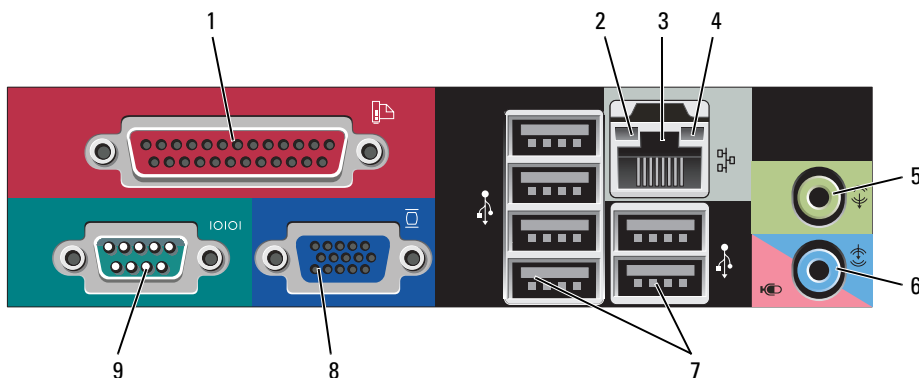
Computer minitorre — Vista posteriore



- | | | |
|---|---------------------------------|------------------------------------------------------------------------------|
| 1 | chiusura a scatto del coperchio | Questo dispositivo di chiusura consente di aprire il coperchio del computer. |
| 2 | anello del lucchetto | Inserire un lucchetto per impedire l'apertura del coperchio del computer. |

- | | | |
|---|------------------------------------|---------------------------------------------------------------------------------------------------------------------------------------------------------------------------------------------------------------------------------------------------------------------------------------------------------------------------------------------------------------------------------------------------------------------------------------------------------------------------------------------------------------------------------------------------------------------------------------------------------------------------|
| 3 | selettore di tensione | <p>Il computer è dotato di un selettore di tensione manuale.</p> <p>Per evitare di danneggiare il computer con un selettore di tensione manuale, impostare il selettore sulla tensione che meglio corrisponde all'alimentazione c.a. disponibile presso la sede.</p> <p>➡ AVVISO: Il selettore di tensione deve essere impostato sulla posizione da 115 V anche se l'alimentazione c.a. disponibile in Giappone è di 100 V.</p> <p>Accertarsi inoltre che le caratteristiche elettriche del monitor e delle periferiche collegate siano adeguate per il tipo di alimentazione c.a. disponibile presso la sede.</p> |
| 4 | connettore di alimentazione | Inserire il cavo di alimentazione. |
| 5 | connettori del pannello posteriore | Collegare le periferiche seriali, USB e così via nei connettori appropriati (consultare "Computer minitorre — Connettori del pannello posteriore" a pagina 193). |
| 6 | slot per schede | Questi slot consentono di accedere ai connettori delle schede PCI e PCI Express installate. |

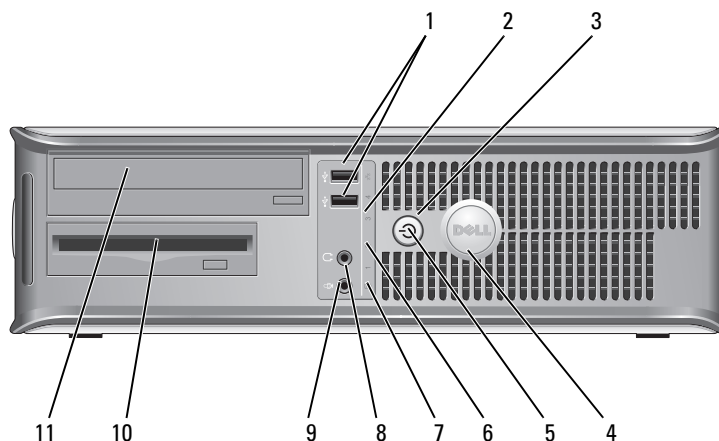
Computer minitorre — Connettori del pannello posteriore



- | | | |
|---|------------------------------------------|---------------------------------------------------------------------------------------------------------------------------------------------------------------------------------------------------------------------------------------------------------------------------------------------------------------------------------------------------------------------------------------------------------------------------------------------|
| 1 | connettore parallelo | <p>Collegare una periferica parallela, quale ad esempio una stampante, al connettore parallelo. Se si usa una stampante USB, collegarla al connettore USB.</p> <p>N.B. Il connettore parallelo integrato è disattivato automaticamente se il computer rileva una scheda installata contenente un connettore parallelo configurato allo stesso indirizzo. Per maggiori informazioni, consultare la Guida dell'utente in linea.</p> |
| 2 | indicatore di integrità del collegamento | <ul style="list-style-type: none"> • Verde — È presente una connessione funzionante tra una rete a 10 Mbps e il computer. • Arancione — È presente una connessione funzionante tra una rete a 100 Mbps e il computer. • Giallo — È presente una connessione funzionante tra una rete a 1 Gbps (o 1000 Mbps) e il computer. • Spento — Il computer non rileva alcuna connessione fisica alla rete. |

- 3 connettore della scheda di rete Per collegare il computer a una periferica di rete o a banda larga, collegare un'estremità del cavo di rete a uno spinotto di rete o alla periferica di rete o a banda larga. Collegare l'altra estremità del cavo di rete al connettore della scheda di rete sul pannello posteriore del computer. Uno scatto indicherà che il cavo di rete è stato saldamente inserito nel connettore.
- N.B. Non collegare un cavo telefonico al connettore di rete.**
- Su computer con una scheda del connettore di rete, utilizzare il connettore sulla scheda.
- È consigliabile utilizzare un cablaggio e connettori di categoria 5 per la rete. Se è necessario usare un cablaggio di categoria 3, forzare la velocità di rete a 10 Mbps per garantire un funzionamento affidabile.
- 4 spia di attività della rete L'indicatore giallo lampeggia quando il computer trasmette o riceve dati sulla rete. In presenza di un intenso traffico di rete, è possibile che questo indicatore appaia costantemente acceso.
- 5 connettore della linea di uscita Utilizzare il connettore verde della linea di uscita per collegare la maggior parte degli altoparlanti con amplificatori integrati.
- 6 connettore della linea di ingresso/microfono Utilizzare il connettore blu e rosa della linea di ingresso/microfono per collegare una periferica di registrazione/riproduzione quale un lettore di cassette, lettore CD o videoregistratore; oppure un microfono per personal computer per l'input vocale o musicale in un programma di audio o telefonia.
- 7 connettori USB 2.0 (6) Utilizzare i connettori USB posteriori per periferiche che di solito restano collegate, quali ad esempio le stampanti e le tastiere.
- 8 connettore video Inserire il cavo del monitor VGA compatibile nel connettore blu.
- N.B. Se è stata acquistata una scheda grafica opzionale, questo connettore è protetto da un cappuccio. Collegare il monitor al connettore sulla scheda grafica. Non rimuovere il cappuccio.**
- N.B. Se si usa una scheda grafica che supporta la configurazione a due monitor, usare il cavo a Y fornito con il computer.**
- 9 connettore seriale Collegare una periferica seriale, quale ad esempio un palmare, alla porta seriale. Gli identificativi predefiniti sono COM1 per il connettore seriale 1 e COM2 per il connettore seriale 2.
- Per maggiori informazioni, consultare la *Guida dell'utente* in linea.

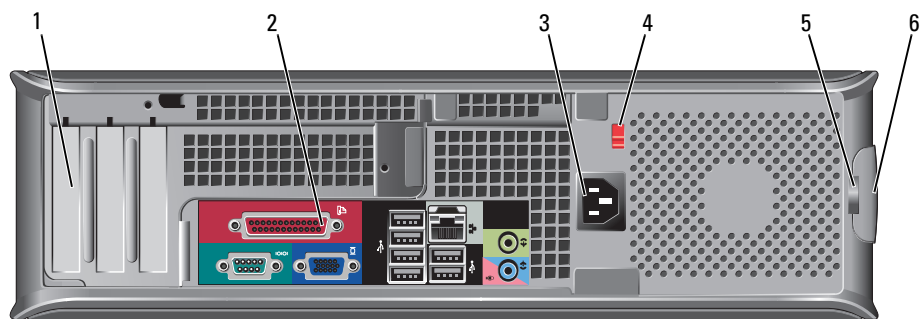
Computer desktop — Vista anteriore



- 1 connettori USB 2.0 (2) Usare i connettori USB anteriori per collegare periferiche che si usano raramente, quali i joystick o le fotocamere, o per periferiche USB avviabili (per maggiori informazioni sull'avvio da una periferica USB, consultare la *Guida dell'utente* in linea).
Si consiglia di utilizzare i connettori USB posteriori per periferiche che di solito restano collegate, quali ad esempio le stampanti e le tastiere.
- 2 indicatore LAN Questo indicatore indica che è stabilita una connessione LAN (rete locale).
- 3 pulsante di alimentazione Premere questo pulsante per accendere il computer.
➡ AVVISO: Per evitare la perdita di dati, non spegnere il computer premendo il pulsante di alimentazione, effettuare invece l'arresto del sistema operativo. Per maggiori informazioni, consultare "Operazioni preliminari" a pagina 207.
➡ AVVISO: Se l'interfaccia ACPI è attivata nel sistema operativo, quando si preme il pulsante di alimentazione il computer esegue l'arresto del sistema operativo.
- 4 marchio Dell Questo marchio può essere ruotato in modo da corrispondere all'orientamento del computer. Per ruotarlo, collocare le dita attorno alla parte esterna del marchio, premere con forza e ruotare il marchio. È anche possibile ruotare il marchio utilizzando lo slot fornito in prossimità della parte inferiore del marchio.

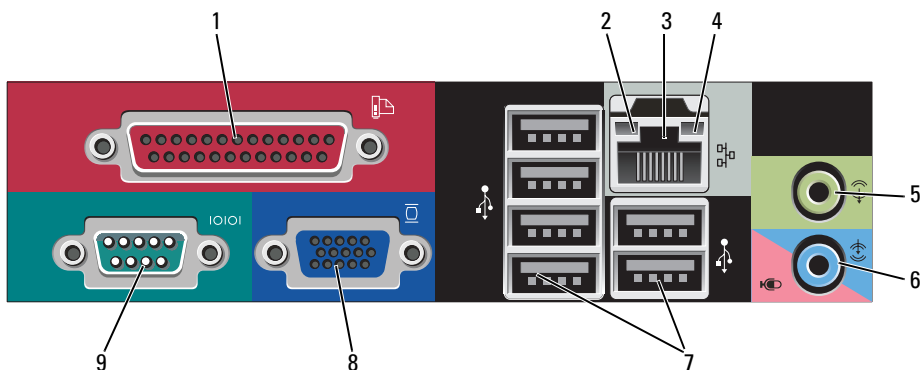
- 5 indicatore di alimentazione
- L'indicatore di alimentazione si accende e lampeggia oppure rimane fisso ad indicare diversi stati operativi:
- Nessuna luce — Il computer è spento.
 - Verde fisso — Il computer è in un normale stato operativo.
 - Verde lampeggiante — Il computer si trova in modalità di risparmio energia.
 - Giallo lampeggiante o fisso — Consultare la *Guida dell'utente* in linea.
- Per uscire da una modalità di risparmio energia, premere il pulsante di alimentazione oppure premere un tasto sulla tastiera o spostare il mouse qualora siano configurati come periferiche di attivazione in Gestione periferiche di Windows. Per maggiori informazioni sulle modalità di sospensione e su come uscire da una modalità di risparmio energia, consultare la *Guida dell'utente* in linea.
- Consultare "Indicatori di sistema" a pagina 231 per una descrizione dei codici luminosi che forniscono informazioni utili per la risoluzione dei problemi relativi al computer.
- 6 indicatori della diagnostica
- Utilizzare gli indicatori per contribuire a risolvere i problemi di un computer in base al codice di diagnostica. Per maggiori informazioni, consultare "Indicatori della diagnostica" a pagina 232.
- 7 spia di attività del disco rigido
- Questa spia lampeggia durante l'accesso al disco rigido.
- 8 connettore della cuffia
- Utilizzare il connettore cuffia per collegare le cuffie e la maggior parte di tipi di altoparlanti.
- 9 connettore del microfono
- Utilizzare il connettore del microfono per collegare un microfono.
- 10 alloggiamento per unità da 3,5 pollici
- Può contenere un'unità disco floppy opzionale o un lettore di scheda multimediale opzionale.
- 11 alloggiamento per unità da 5,25 pollici
- Può contenere un'unità ottica. Inserire un CD o DVD (se supportati) in questa unità.

Computer desktop — Vista posteriore



- | | |
|--------------------------------------|-------------------------------------------------------------------------------------------------------------------------------------------------------------------------------------------------------------------------------------------------------------------------------------------------------------------------------------------------------------------------------------------------------------------------------------------------------------------------------------------------------------------------------------------------------------------------------------------------------------------------|
| 1 slot per schede | Questi slot consentono di accedere ai connettori delle schede PCI e PCI Express installate. |
| 2 connettori del pannello posteriore | Collegare le periferiche seriali, USB e così via nei connettori appropriati (consultare "Computer desktop — Connettori del pannello posteriore" a pagina 198). |
| 3 connettore di alimentazione | Inserire il cavo di alimentazione. |
| 4 selettore di tensione | <p>Il computer è dotato di un selettore di tensione manuale.</p> <p>Per evitare di danneggiare il computer con un selettore di tensione manuale, impostare il selettore sulla tensione che meglio corrisponde all'alimentazione c.a. disponibile presso la sede.</p> <p>AVVISO: Il selettore di tensione deve essere impostato sulla posizione da 115 V anche se l'alimentazione c.a. disponibile in Giappone è di 100 V.</p> <p>Accertarsi inoltre che le caratteristiche elettriche del monitor e delle periferiche collegate siano adeguate per il tipo di alimentazione c.a. disponibile presso la sede.</p> |
| 5 anello del lucchetto | Inserire un lucchetto per impedire l'apertura del coperchio del computer. |
| 6 chiusura a scatto del coperchio | Consente di aprire il coperchio del computer. |

Computer desktop — Connettori del pannello posteriore

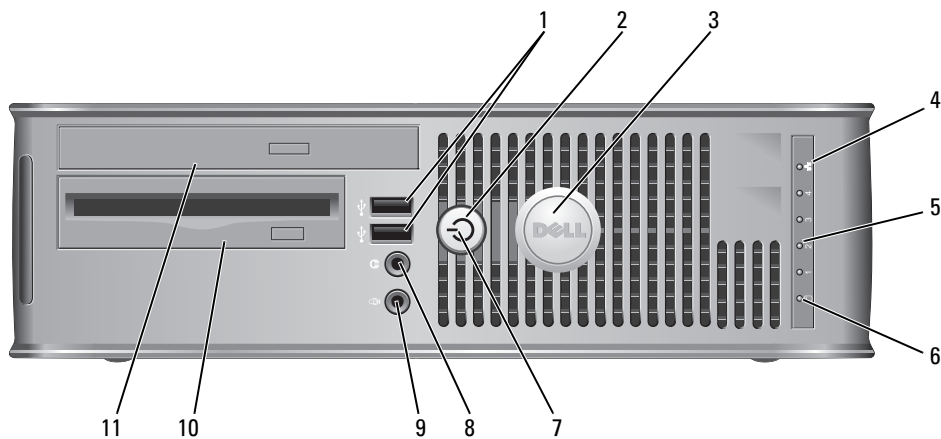


- 1 connettore parallelo Collegare una periferica parallela, quale ad esempio una stampante, al connettore parallelo. Se si usa una stampante USB, collegarla al connettore USB.
N.B. Il connettore parallelo integrato è disattivato automaticamente se il computer rileva una scheda installata contenente un connettore parallelo configurato allo stesso indirizzo. Per maggiori informazioni, consultare la *Guida dell'utente* in linea.
- 2 indicatore di integrità del collegamento
- Verde — È presente una connessione funzionante tra una rete a 10 Mbps e il computer.
 - Arancione — È presente una connessione funzionante tra una rete a 100 Mbps e il computer.
 - Giallo — È presente una connessione funzionante tra una rete a 1 Gbps (o 1000 Mbps) e il computer.
 - Spento — Il computer non rileva alcuna connessione fisica alla rete.
- 3 connettore della scheda di rete Per collegare il computer a una periferica di rete o a banda larga, collegare un'estremità del cavo di rete a uno spinotto di rete o alla periferica di rete o a banda larga. Collegare l'altra estremità del cavo di rete al connettore della scheda di rete sul pannello posteriore del computer. Uno scatto indicherà che il cavo di rete è stato saldamente inserito nel connettore.
N.B. Non collegare un cavo telefonico al connettore di rete.
Su computer con una scheda del connettore di rete, utilizzare il connettore sulla scheda.
È consigliabile utilizzare un cablaggio e connettori di categoria 5 per la rete. Se è necessario usare un cablaggio di categoria 3, forzare la velocità di rete a 10 Mbps per garantire un funzionamento affidabile.
- 4 spia di attività della rete L'indicatore giallo lampeggia quando il computer trasmette o riceve dati sulla rete. In presenza di un intenso traffico di rete, è possibile che questo indicatore appaia costantemente acceso.
- 5 connettore della linea di uscita Utilizzare il connettore verde della linea di uscita per collegare la maggior parte degli altoparlanti con amplificatori integrati.

- | | | |
|---|----------------------------------------------|----------------------------------------------------------------------------------------------------------------------------------------------------------------------------------------------------------------------------------------------------------------------------------------------------------------------------------------------------------------------------------------------------------------|
| 6 | connettore della linea di ingresso/microfono | Utilizzare il connettore blu e rosa della linea di ingresso/microfono per collegare una periferica di registrazione/riproduzione quale un lettore di cassette, lettore CD o videoregistratore; oppure un microfono per personal computer per l'input vocale o musicale in un programma di audio o telefonia. |
| 7 | connettori USB 2.0 (6) | Utilizzare i connettori USB posteriori per periferiche che di solito restano collegate, quali ad esempio le stampanti e le tastiere. |
| 8 | connettore video | Inserire il cavo del monitor VGA compatibile nel connettore blu.
N.B. Se è stata acquistata una scheda grafica opzionale, questo connettore è protetto da un cappuccio. Collegare il monitor al connettore sulla scheda grafica. Non rimuovere il cappuccio.
N.B. Se si usa una scheda grafica che supporta la configurazione a monitor doppio, usare il cavo a Y fornito con il computer. |
| 9 | connettore seriale | Collegare una periferica seriale, quale ad esempio un palmare, alla porta seriale. Gli identificativi predefiniti sono COM1 per il connettore seriale 1 e COM2 per il connettore seriale 2.



Per maggiori informazioni, consultare la <i>Guida dell'utente</i> in linea. |

Computer con fattore di forma ridotto — Vista anteriore

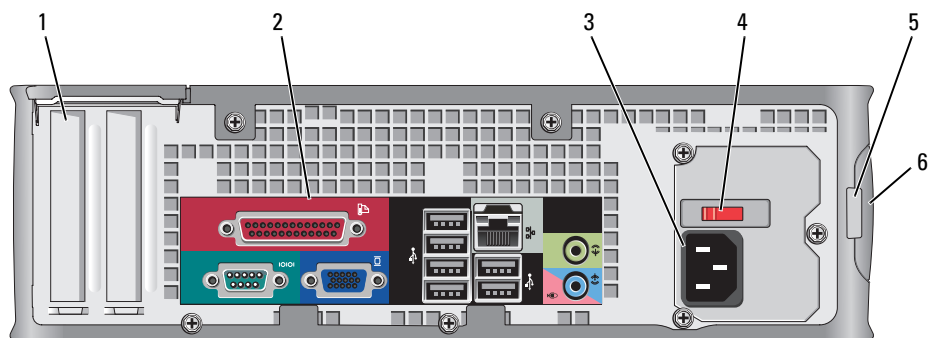


- | | | |
|---|------------------------|---------------------------------------------------------------------------------------------------------------------------------------------------------------------------------------------------------------------------------------------------------------------------------------------------------------------------------------------------------------------------------------------------------------------------------|
| 1 | connettori USB 2.0 (2) | Usare i connettori USB anteriori per collegare periferiche che si usano raramente, quali i joystick o le fotocamere, o per periferiche USB avviabili (per maggiori informazioni sull'avvio da una periferica USB, consultare la <i>Guida dell'utente</i> in linea).

Si consiglia di utilizzare i connettori USB posteriori per periferiche che di solito restano collegate, quali ad esempio le stampanti e le tastiere. |
|---|------------------------|---------------------------------------------------------------------------------------------------------------------------------------------------------------------------------------------------------------------------------------------------------------------------------------------------------------------------------------------------------------------------------------------------------------------------------|

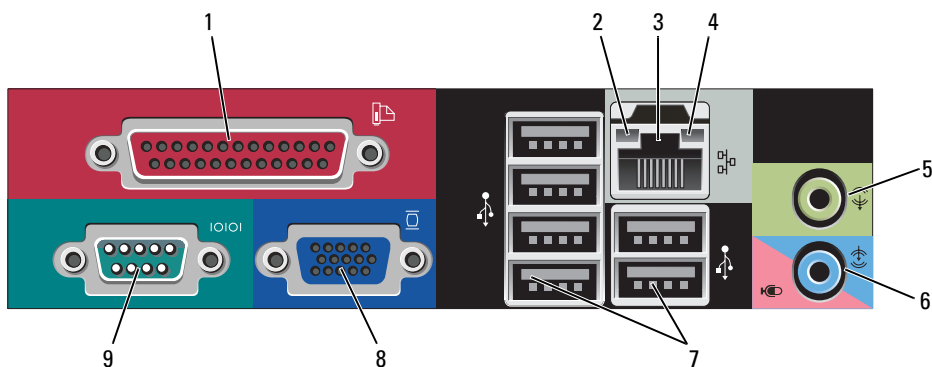
- 2 pulsante di alimentazione Premere questo pulsante per accendere il computer.
-  **AVVISO:** Per evitare la perdita di dati, non spegnere il computer premendo il pulsante di alimentazione, effettuare invece l'arresto del sistema operativo. Per maggiori informazioni, consultare "Operazioni preliminari" a pagina 207.
-  **AVVISO:** Se l'interfaccia ACPI è attivata nel sistema operativo, quando si preme il pulsante di alimentazione il computer esegue l'arresto del sistema operativo.
- 3 marchio Dell Può essere ruotato in modo da corrispondere all'orientamento del computer. Per ruotarlo, collocare le dita attorno alla parte esterna del marchio, premere con forza e ruotare il marchio. È anche possibile ruotare il marchio utilizzando lo slot fornito in prossimità della parte inferiore del marchio.
- 4 indicatore LAN Indica che è stabilita una connessione LAN (rete locale).
- 5 indicatori della diagnostica Utilizzare gli indicatori per contribuire a risolvere i problemi di un computer in base al codice di diagnostica. Per maggiori informazioni, consultare "Indicatori della diagnostica" a pagina 232.
- 6 spia di attività del disco rigido Questa spia lampeggia durante l'accesso al disco rigido.
- 7 indicatore di alimentazione L'indicatore di alimentazione si accende e lampeggia oppure rimane fisso ad indicare diversi stati operativi:
- Nessuna luce — Il computer è spento.
 - Verde fisso — Il computer è in un normale stato operativo.
 - Verde lampeggiante — Il computer si trova in modalità di risparmio energia.
 - Giallo lampeggiante o fisso — Consultare la *Guida dell'utente* in linea.
- Per uscire da una modalità di risparmio energia, premere il pulsante di alimentazione oppure premere un tasto sulla tastiera o spostare il mouse qualora siano configurati come periferiche di attivazione in Gestione periferiche di Windows. Per maggiori informazioni sulle modalità di sospensione e su come uscire da una modalità di risparmio energia, consultare la *Guida dell'utente* in linea.
- Consultare "Indicatori di sistema" a pagina 231 per una descrizione dei codici luminosi che possono contribuire alla risoluzione dei problemi relativi al computer.
- 8 connettore della cuffia Utilizzare il connettore cuffia per collegare le cuffie e la maggior parte di tipi di altoparlanti.
- 9 connettore del microfono Utilizzare il connettore del microfono per collegare un microfono.
- 10 alloggiamento per unità da 3,5 pollici Può contenere un'unità disco floppy opzionale o un lettore di scheda multimediale opzionale.
- 11 alloggiamento per unità da 5,25 pollici Può contenere un'unità ottica. Inserire un CD o DVD (se supportati) in questa unità.

Computer con fattore di forma ridotto — Vista posteriore



- 1 slot per schede
Questi slot consentono di accedere ai connettori delle schede PCI e PCI Express installate.
- 2 connettori del pannello posteriore
Collegare le periferiche seriali, USB e così via nei connettori appropriati (consultare "Computer con fattore di forma ridotto — Connettori del pannello posteriore" a pagina 202).
- 3 connettore di alimentazione
Inserire il cavo di alimentazione.
- 4 selettore di tensione
Il computer è dotato di un selettore di tensione manuale.
Per evitare di danneggiare il computer con un selettore di tensione manuale, impostare il selettore sulla tensione che meglio corrisponde all'alimentazione c.a. disponibile presso la sede.
➡ AVVISO: Il selettore di tensione deve essere impostato sulla posizione da 115 V anche se l'alimentazione c.a. disponibile in Giappone è di 100 V.
Accertarsi inoltre che le caratteristiche elettriche del monitor e delle periferiche collegate siano adeguate per il tipo di alimentazione c.a. disponibile presso la sede.
- 5 anello del lucchetto
Inserire un lucchetto per impedire l'apertura del coperchio del computer.
- 6 chiusura a scatto del coperchio
Consente di aprire il coperchio del computer.

Computer con fattore di forma ridotto — Connettori del pannello posteriore

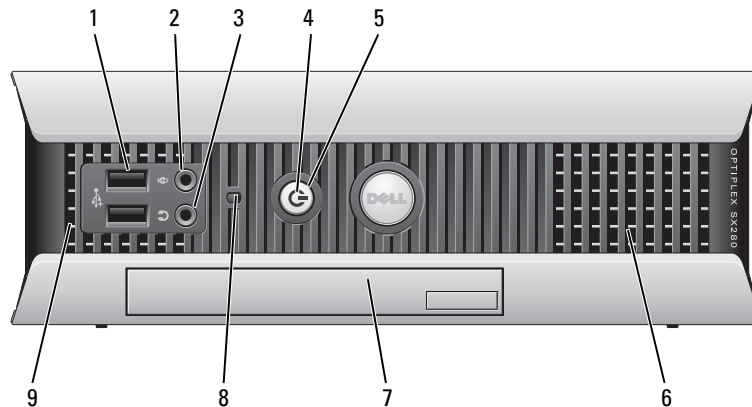


- | | | |
|---|------------------------------------------|---------------------------------------------------------------------------------------------------------------------------------------------------------------------------------------------------------------------------------------------------------------------------------------------------------------------------------------------------------------------------------------------------------------------------------------------------------------------------------------------------------------------------------------------------------------------------------------------------------------------------------------------------------------------------------------------------------------------------------------------------------------------------------------------------------|
| 1 | connettore parallelo | <p>Collegare una periferica parallela, quale ad esempio una stampante, al connettore parallelo. Se si usa una stampante USB, collegarla al connettore USB.</p> <p>N.B. Il connettore parallelo integrato è disattivato automaticamente se il computer rileva una scheda installata contenente un connettore parallelo configurato allo stesso indirizzo. Per maggiori informazioni, consultare la <i>Guida dell'utente</i> in linea.</p> |
| 2 | indicatore di integrità del collegamento | <ul style="list-style-type: none"> • Verde — È presente una connessione funzionante tra una rete a 10 Mbps e il computer. • Arancione — È presente una connessione funzionante tra una rete a 100 Mbps e il computer. • Giallo — È presente una connessione funzionante tra una rete a 1 Gbps (o 1000 Mbps) e il computer. • Spento — Il computer non rileva alcuna connessione fisica alla rete. |
| 3 | connettore della scheda di rete | <p>Per collegare il computer a una periferica di rete o a banda larga, collegare un'estremità del cavo di rete a uno spinotto di rete o alla periferica di rete o a banda larga. Collegare l'altra estremità del cavo di rete al connettore della scheda di rete sul pannello posteriore del computer. Uno scatto indicherà che il cavo di rete è stato saldamente inserito nel connettore.</p> <p>N.B. Non collegare un cavo telefonico al connettore di rete.</p> <p>Su computer con una scheda del connettore di rete, utilizzare il connettore sulla scheda.</p> <p>È consigliabile utilizzare un cablaggio e connettori di categoria 5 per la rete. Se è necessario usare un cablaggio di categoria 3, forzare la velocità di rete a 10 Mbps per garantire un funzionamento affidabile.</p> |
| 4 | spia di attività della rete | <p>L'indicatore giallo lampeggia quando il computer trasmette o riceve dati sulla rete. In presenza di un intenso traffico di rete, è possibile che questo indicatore appaia costantemente acceso.</p> |
| 5 | connettore della linea di uscita | <p>Utilizzare il connettore verde della linea di uscita (disponibile su computer con audio integrato) per collegare la maggior parte degli altoparlanti con amplificatori integrati.</p> |

- | | | |
|---|----------------------------------------------|-------------------------------------------------------------------------------------------------------------------------------------------------------------------------------------------------------------------------------------------------------------------------------------------------------------------------------------------------------------------------------------------------------------|
| 6 | connettore della linea di ingresso/microfono | Utilizzare il connettore blu e rosa della linea di ingresso/microfono (disponibile su computer con l'audio integrato) per collegare una periferica di registrazione/riproduzione quale un lettore di cassette, lettore CD o videoregistratore; oppure un microfono per personal computer per l'input vocale o musicale in un programma di audio o telefonia. |
| 7 | connettori USB 2.0 (6) | Utilizzare i connettori USB posteriori per periferiche che di solito restano collegate, quali ad esempio le stampanti e le tastiere. |
| 8 | connettore video | Inserire il cavo del monitor VGA compatibile nel connettore blu.
N.B. Se è stata acquistata una scheda grafica opzionale, questo connettore è protetto da un cappuccio. Collegare il monitor al connettore sulla scheda grafica. Non rimuovere il cappuccio.
N.B. Se si usa una scheda grafica che supporta la configurazione a due monitor, usare il cavo a Y fornito con il computer. |
| 9 | connettore seriale | Collegare una periferica seriale, quale ad esempio un palmare, alla porta seriale. Gli identificativi predefiniti sono COM1 per il connettore seriale 1 e COM2 per il connettore seriale 2.

Per maggiori informazioni, consultare la <i>Guida dell'utente</i> in linea. |

Computer con fattore di forma ultraridotto — Vista anteriore



- | | | |
|---|--------------------------|---------------------------------------------------------------------------------------------------------------------------------------------------------------------------------------------------------------------------------------------------------------------------------------------------------------------------------------------------------------------------------------------------------------------------------|
| 1 | connettori USB (2) | Usare i connettori USB anteriori per collegare periferiche che si usano raramente, quali i joystick o le fotocamere, o per periferiche USB avviabili (per maggiori informazioni sull'avvio da una periferica USB, consultare la <i>Guida dell'utente</i> in linea).

Si consiglia di utilizzare i connettori USB posteriori per periferiche che di solito restano collegate, quali ad esempio le stampanti e le tastiere. |
| 2 | connettore della cuffia | Utilizzare il connettore cuffia per collegare le cuffie e la maggior parte di tipi di altoparlanti. |
| 3 | connettore del microfono | Utilizzare il connettore del microfono per collegare un microfono. |

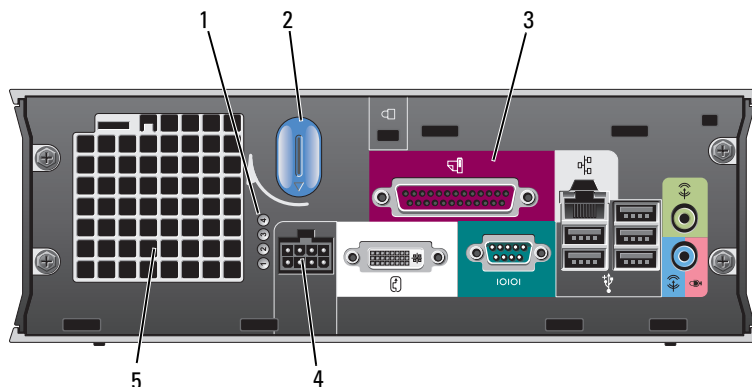
- 4 indicatore di alimentazione
- L'indicatore di alimentazione s'illumina e lampeggia o rimane acceso con luce fissa per indicare diversi stati:
- Nessuna luce — Il computer è spento.
 - Verde fisso — Il computer è in un normale stato operativo.
 - Verde lampeggiante — Il computer si trova in modalità di risparmio energia.
 - Giallo lampeggiante o fisso — Consultare la *Guida dell'utente* in linea.
- Per uscire da una modalità di risparmio energia, premere il pulsante di alimentazione oppure premere un tasto sulla tastiera o spostare il mouse qualora siano configurati come periferiche di attivazione in Gestione periferiche di Windows. Per maggiori informazioni sulle modalità di sospensione e su come uscire da una modalità di risparmio energia, consultare la *Guida dell'utente* in linea.
- Consultare "Indicatori di sistema" a pagina 231 per una descrizione dei codici luminosi che forniscono informazioni utili per la risoluzione dei problemi relativi al computer.
- 5 pulsante di alimentazione
- Premere questo pulsante per accendere il computer.
- ➔ AVVISO:** Per evitare la perdita di dati, non spegnere il computer premendo il pulsante di alimentazione, effettuare invece l'arresto del sistema operativo. Per maggiori informazioni, consultare "Operazioni preliminari" a pagina 207.
- 6 sfiati
- Gli sfiati impediscono il surriscaldamento del computer. Per assicurare una ventilazione appropriata, non ostruire le prese di raffreddamento.
- 7 alloggiamento per moduli
- Installare un'unità ottica con modulo D, un disco rigido secondario o un'unità disco floppy nell'alloggiamento per moduli.
- 8 spia d'accesso al disco rigido
- L'indicatore di accesso al disco rigido è acceso quando il computer legge o scrive dati sul disco rigido. La spia potrebbe essere accesa anche quando sono in funzione periferiche quali il lettore CD.
- 9 sfiati
- Gli sfiati impediscono il surriscaldamento del computer. Per assicurare una ventilazione appropriata, non ostruire le prese di raffreddamento.

Computer con fattore di forma ultraridotto — Vista laterale



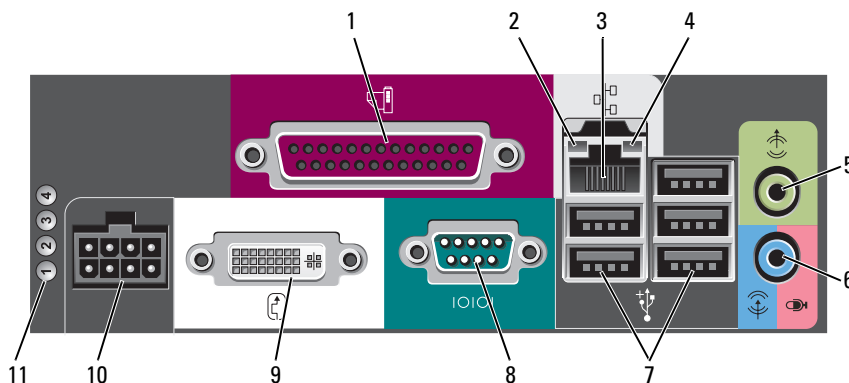
- 1 sfiati
- Gli sfiati ubicati su ciascun lato del computer impediscono il surriscaldamento del computer. Per assicurare una ventilazione appropriata, non ostruire le prese di raffreddamento.

Computer con fattore di forma ultraridotto — Vista posteriore



- | | | |
|---|------------------------------------------------|----------------------------------------------------------------------------------------------------------------------------------------------------------------------------------------|
| 1 | indicatori della diagnostica | Consultare "Indicatori della diagnostica" a pagina 232 per una descrizione dei codici luminosi che forniscono informazioni utili per la risoluzione dei problemi relativi al computer. |
| 2 | manopola di sblocco del coperchio del computer | Ruotare la manopola in senso orario per rimuovere il coperchio. |
| 3 | connettori del pannello posteriore | I connettori del computer (consultare "Computer con fattore di forma ultraridotto — Connettori del pannello posteriore" a pagina 205). |
| 4 | connettore di alimentazione | Inserire il cavo di alimentazione. |
| 5 | sfati | Gli sfati impediscono il surriscaldamento del computer. Per assicurare una ventilazione appropriata, non ostruire le prese di raffreddamento. |

Computer con fattore di forma ultraridotto — Connettori del pannello posteriore



- | | | |
|---|----------------------|---------------------------------------------------------------------------------------------------------------------------------------------------------|
| 1 | connettore parallelo | Collegare una periferica parallela, quale ad esempio una stampante, al connettore parallelo. Se si usa una stampante USB, collegarla al connettore USB. |
|---|----------------------|---------------------------------------------------------------------------------------------------------------------------------------------------------|


- 2 indicatore di integrità del collegamento
- Verde — È presente una connessione funzionante tra una rete a 10 Mbps e il computer.
 - Arancione — È presente una connessione funzionante tra una rete a 100 Mbps e il computer.
 - Giallo — È presente una connessione funzionante tra una rete a 1000 Mbps (1 Gbps) e il computer.
 - Spento— Il computer non rileva una connessione fisica alla rete o il controller di rete è disattivato nell'installazione del sistema.
- 3 scheda di rete
- Per collegare il computer a una periferica di rete o a banda larga, collegare un'estremità del cavo di rete a uno spinotto di rete o alla periferica di rete o a banda larga. Collegare l'altra estremità del cavo di rete al connettore della scheda di rete sul pannello posteriore del computer. Uno scatto indicherà che il cavo di rete è stato saldamente inserito nel connettore.
- N.B. Non collegare un cavo telefonico al connettore di rete.**
- Su computer con una scheda del connettore di rete, utilizzare il connettore sulla scheda.
- È consigliabile utilizzare un cablaggio e connettori di categoria 5 per la rete. Se è necessario usare un cablaggio di categoria 3, forzare la velocità di rete a 10 Mbps per garantire un funzionamento affidabile.
- 4 spia di attività della rete
- La spia gialla lampeggia quando il computer trasmette o riceve dati sulla rete. In presenza di un intenso traffico di rete, è possibile che questo indicatore appaia costantemente acceso.
- 5 connettore della linea di uscita
- Usare il connettore della linea di uscita contrassegnato in verde per collegare un gruppo di altoparlanti con amplificatori integrati.
- 6 connettore della linea di ingresso/microfono
- Utilizzare il connettore blu e rosa della linea di ingresso/microfono per collegare una periferica di registrazione/riproduzione quale un lettore di cassette, lettore CD o videoregistratore; oppure un microfono per personal computer per l'input vocale o musicale in un programma di audio o telefonia.
- 7 connettori USB (5)
- Utilizzare i connettori USB posteriori per periferiche che di solito restano collegate, quali ad esempio le stampanti e le tastiere.
- 8 connettore seriale
- Questo connettore consente di collegare una periferica seriale, quale un palmare al connettore seriale.
- 9 connettore video
- Se si dispone di un monitor DVI compatibile, collegare il cavo del monitor al connettore contrassegnato in bianco sul pannello posteriore.
- Se si dispone di un monitor VGA, consultare "Collegamento di un monitor VGA" nella *Guida dell'utente* del computer.
- 10 connettore di alimentazione
- Connettore per l'adattatore di alimentazione.
- 11 indicatori della diagnostica
- Consultare "Indicatori della diagnostica" a pagina 232 per una descrizione dei codici luminosi che forniscono informazioni utili per la risoluzione dei problemi relativi al computer.

Rimozione del coperchio del computer

 **ATTENZIONE:** Prima di eseguire le procedure descritte in questa sezione, seguire le istruzioni di sicurezza riportate nella *Guida alle informazioni sul prodotto*.

 **ATTENZIONE:** Per evitare il rischio di scariche elettriche, scollegare sempre il computer dalla presa elettrica prima di rimuovere il coperchio.

Operazioni preliminari


 **AVVISO:** Per non rischiare di perdere i dati, salvare e chiudere eventuali file aperti e uscire da tutti i programmi in esecuzione prima di spegnere il computer.


- 1 Arrestare il sistema operativo:
 - a Salvare e chiudere i file aperti e arrestare i programmi in esecuzione, quindi fare clic sul pulsante **Start** e scegliere **Spegni computer**.
 - b Nella finestra **Spegni computer**, fare clic su **Spegni**.
Il computer si spegne dopo che il processo di arresto del sistema operativo termina.
- 2 Assicurarsi che il computer e le periferiche collegate siano spenti. Se il computer e le periferiche collegate non si sono spenti automaticamente durante l'arresto del sistema, spegnerli ora.


Interventi preliminari sui componenti interni del computer

Per proteggere il computer da eventuali danni e per la sicurezza personale, attenersi alle istruzioni sulla sicurezza riportate di seguito.

 **ATTENZIONE:** Prima di eseguire le procedure descritte in questa sezione, seguire le istruzioni di sicurezza riportate nella *Guida alle informazioni sul prodotto*.

 **ATTENZIONE:** Maneggiare con cura componenti e schede. Non toccare i componenti o i contatti sulle schede. Manipolare una scheda dai bordi o dalla staffa metallica di montaggio. Maneggiare un componente, ad esempio un processore, dai bordi, non dai piedini.

 **AVVISO:** Solo un tecnico di assistenza qualificato dovrebbe eseguire le riparazioni del computer. Danni dovuti a riparazioni non autorizzate da Dell non sono coperte dalla garanzia.

 **AVVISO:** Per scollegare un cavo, afferrare il connettore o il serracavi, non il cavo stesso. Alcuni cavi dispongono di un connettore con linguette di blocco; se si scollega questo tipo di cavo, premere sulle linguette di blocco prima di scollegare il cavo. Nel separare i connettori, mantenerli allineati per evitare di piegare un eventuale piedino. Inoltre, prima di collegare un cavo accertarsi che entrambi i connettori siano allineati e orientati in modo corretto.

Per evitare di danneggiare il computer, eseguire la seguente procedura prima di cominciare ad intervenire sui componenti interni del computer.

- 1 Spegnerlo il computer.

 **AVVISO:** Per scollegare un cavo di rete, prima scollegare il cavo dal computer, poi dallo spinotto di rete a muro.


- 2 Scollegare dal computer eventuali linee telefoniche o di telecomunicazione.
- 3 Scollegare il computer e tutte le periferiche collegate dalle rispettive prese elettriche, quindi premere il pulsante di alimentazione per mettere a terra la scheda di sistema.

- 4 Se presente, rimuovere il piedistallo del computer (per istruzioni, consultare la documentazione fornita col piedistallo).

 **ATTENZIONE:** Per evitare il rischio di scariche elettriche, scollegare sempre il computer dalla presa elettrica prima di rimuovere il coperchio.

- 5 Rimuovere il coperchio del computer:

- Rimuovere il coperchio del computer minitorre (consultare "Computer minitorre" a pagina 208).
- Rimuovere il coperchio del computer desktop (consultare "Computer desktop" a pagina 209).
- Rimuovere il coperchio del computer con fattore di forma ridotto (consultare "Computer con fattore di forma ridotto" a pagina 210).
- Rimuovere il coperchio del computer con fattore di forma ultraridotto (consultare "Computer con fattore di forma ultraridotto" a pagina 212).


 **AVVISO:** Prima di toccare qualsiasi componente interno del computer, scaricare a terra l'elettricità statica del corpo toccando una superficie metallica non verniciata, quale ad esempio il metallo sul retro del computer. Durante l'intervento toccare periodicamente una superficie metallica non verniciata per scaricare l'elettricità statica eventualmente accumulata che potrebbe danneggiare i componenti interni.

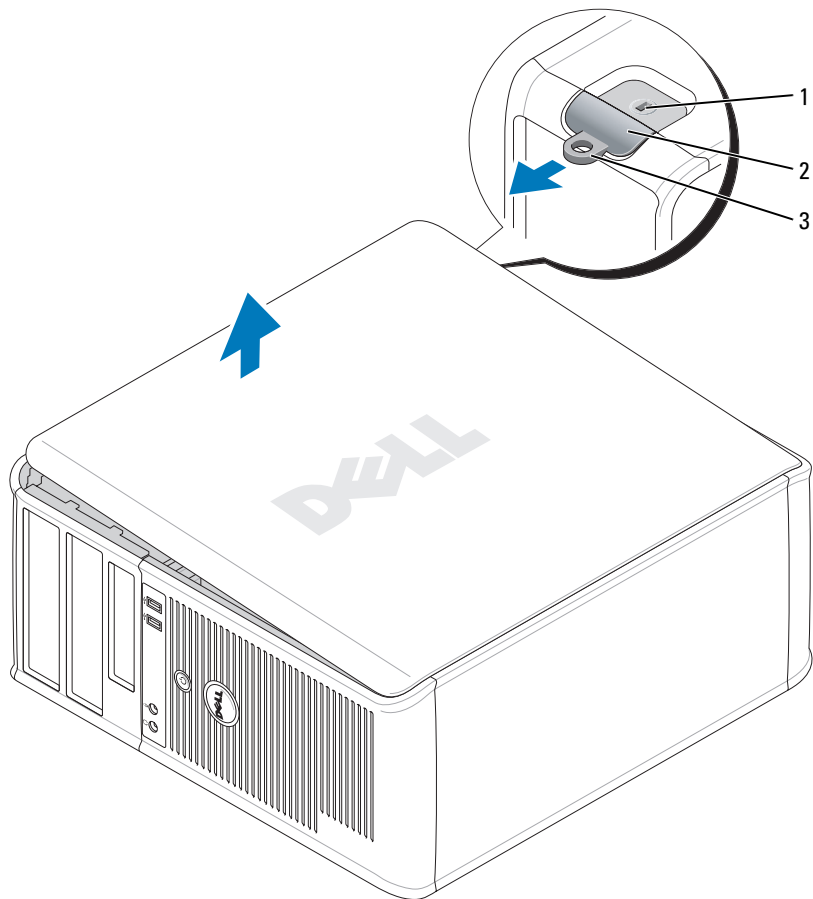
Computer minitorre

 **ATTENZIONE:** Prima di eseguire le procedure descritte in questa sezione, seguire le istruzioni di sicurezza riportate nella *Guida alle informazioni sul prodotto*.

 **ATTENZIONE:** Per evitare il rischio di scariche elettriche, scollegare sempre il computer dalla presa elettrica prima di rimuovere il coperchio del computer.

- 1 Seguire le procedure descritte in "Operazioni preliminari" a pagina 207.
- 2 Appoggiare il computer su un lato, come mostrato nell'illustrazione.
- 3 Individuare la chiusura a scatto del coperchio mostrata nell'illustrazione. Quindi fare scorrere la chiusura a scatto all'indietro quando si solleva il coperchio.
- 4 Afferrare i lati del coperchio del computer e ruotare il coperchio verso l'alto utilizzando le linguette dei cardini come punti di leva.
- 5 Rimuovere il coperchio dalle linguette dei cardini e metterlo da parte su una superficie morbida non abrasiva.

 **ATTENZIONE:** I dissipatori di calore della scheda grafica potrebbero diventare molto caldi durante il regolare funzionamento. Assicurarsi di lasciar raffreddare il dissipatore di calore della scheda grafica per un tempo sufficiente, prima di toccarlo.



1 slot per cavo di sicurezza 2 chiusura a scatto del coperchio 3 anello del lucchetto

Computer desktop

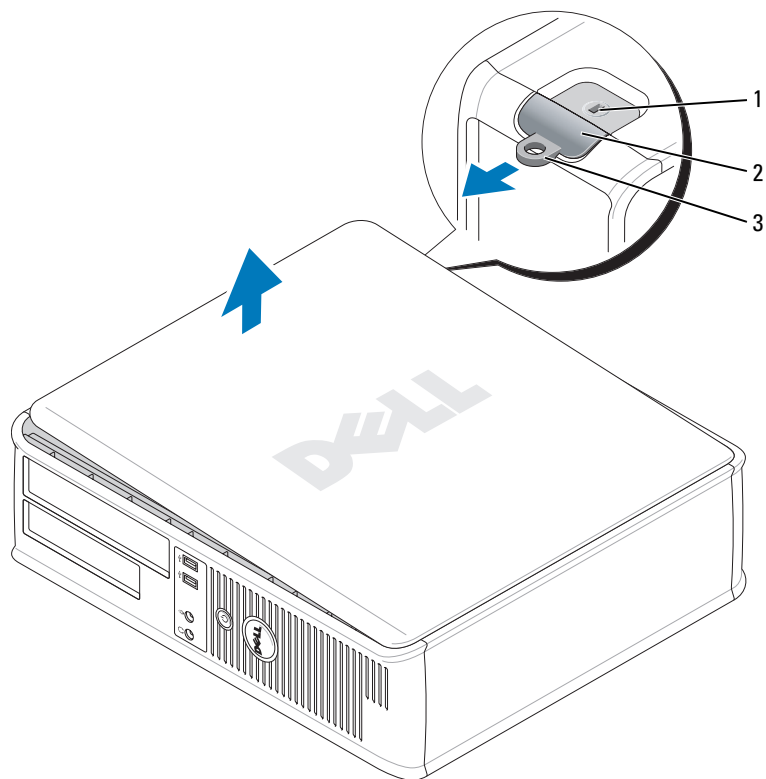
⚠ ATTENZIONE: Prima di eseguire le procedure descritte in questa sezione, seguire le istruzioni di sicurezza riportate nella *Guida alle informazioni sul prodotto*.

⚠ ATTENZIONE: Per evitare il rischio di scariche elettriche, scollegare sempre il computer dalla presa elettrica prima di rimuovere il coperchio del computer.

- 1 Seguire le procedure descritte in "Operazioni preliminari" a pagina 207.
- 2 Se si è installato un lucchetto attraverso l'anello del lucchetto sul pannello posteriore, rimuovere il lucchetto.
- 3 Individuare la chiusura a scatto del coperchio mostrata nell'illustrazione. Quindi fare scorrere la chiusura a scatto all'indietro quando si solleva il coperchio.

- 4 Afferrare i lati del coperchio del computer e ruotare il coperchio verso l'alto utilizzando le linguette dei cardini come punti di leva.
- 5 Rimuovere il coperchio dalle linguette dei cardini e metterlo da parte su una superficie morbida non abrasiva.

⚠ ATTENZIONE: I dissipatori di calore della scheda grafica potrebbero diventare molto caldi durante il regolare funzionamento. Assicurarsi di lasciar raffreddare il dissipatore di calore della scheda grafica per un tempo sufficiente, prima di toccarlo.



1 slot per cavo di sicurezza 2 chiusura a scatto del coperchio 3 anello del lucchetto

Computer con fattore di forma ridotto

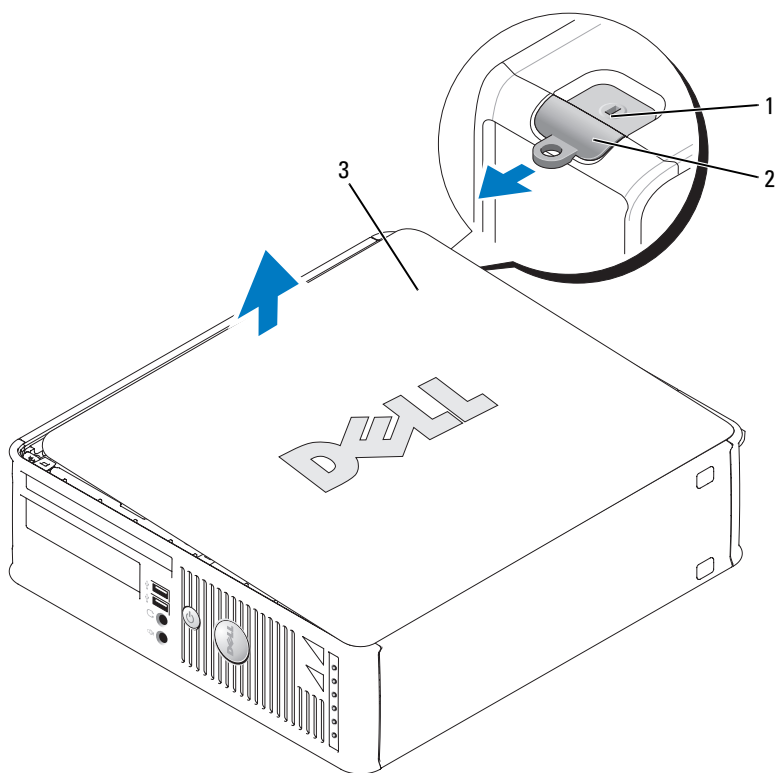
⚠ ATTENZIONE: Prima di eseguire le procedure descritte in questa sezione, seguire le istruzioni di sicurezza riportate nella *Guida alle informazioni sul prodotto*.

⚠ ATTENZIONE: Per evitare il rischio di scariche elettriche, scollegare sempre il computer dalla presa elettrica prima di rimuovere il coperchio del computer.

- 1 Seguire le procedure descritte in "Operazioni preliminari" a pagina 207.

- 2 Se si è installato un lucchetto attraverso l'anello del lucchetto sul pannello posteriore, rimuovere il lucchetto.
- 3 Individuare la chiusura a scatto del coperchio mostrata nell'illustrazione. Quindi fare scorrere la chiusura a scatto all'indietro quando si solleva il coperchio.
- 4 Afferrare i lati del coperchio del computer e ruotare il coperchio verso l'alto utilizzando i cardini sul fondo come punti di leva.
- 5 Rimuovere il coperchio dalle linguette dei cardini e metterlo da parte su una superficie morbida non abrasiva.

⚠ ATTENZIONE: I dissipatori di calore della scheda grafica potrebbero diventare molto caldi durante il regolare funzionamento. Assicurarsi di lasciar raffreddare il dissipatore di calore della scheda grafica per un tempo sufficiente, prima di toccarlo.



1 slot per cavo di sicurezza 2 chiusura a scatto del coperchio 3 coperchio del computer

Computer con fattore di forma ultraridotto

⚠ ATTENZIONE: Prima di eseguire le procedure descritte in questa sezione, seguire le istruzioni di sicurezza riportate nella *Guida alle informazioni sul prodotto*.

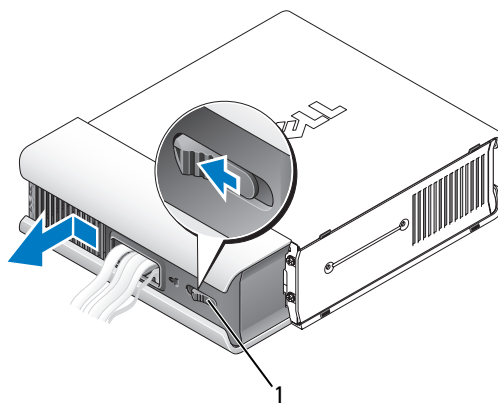
⚠ ATTENZIONE: Per evitare il rischio di scariche elettriche, scollegare sempre il computer dalla presa elettrica prima di rimuovere il coperchio del computer.

1 Seguire le procedure descritte in "Operazioni preliminari" a pagina 207.

➡ AVVISO: Prima di toccare qualsiasi componente interno del computer, scaricare a terra l'elettricità statica del corpo toccando una superficie metallica non verniciata. Durante l'intervento toccare periodicamente una superficie metallica non verniciata per scaricare l'elettricità statica eventualmente accumulata che potrebbe danneggiare i componenti interni.

2 Se presente, rimuovere il coperchio cavi.

a Se nello slot per cavo di sicurezza è installato un dispositivo di sicurezza, rimuoverlo.



1 pulsante di sblocco

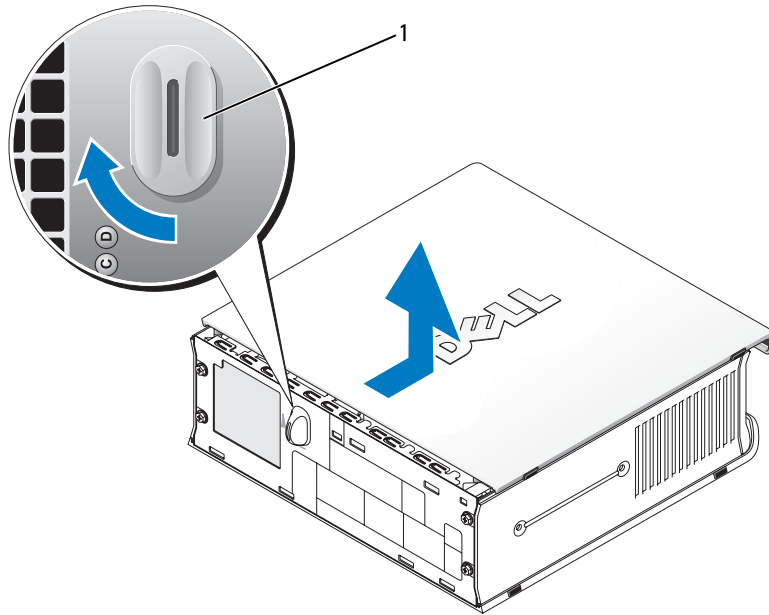
b Premere sul pulsante di sblocco, afferrare il coperchio cavi e fare scorrere il coperchio verso sinistra fino a quando si arresta, quindi sollevare il coperchio cavi verso l'alto e verso l'esterno.

3 Rimuovere il coperchio del computer:

a Ruotare la manopola di sblocco del coperchio in senso orario, come mostrato nell'illustrazione.

b Fare scivolare in avanti il coperchio di 1 cm o fino ad arresto, quindi alzare il coperchio.

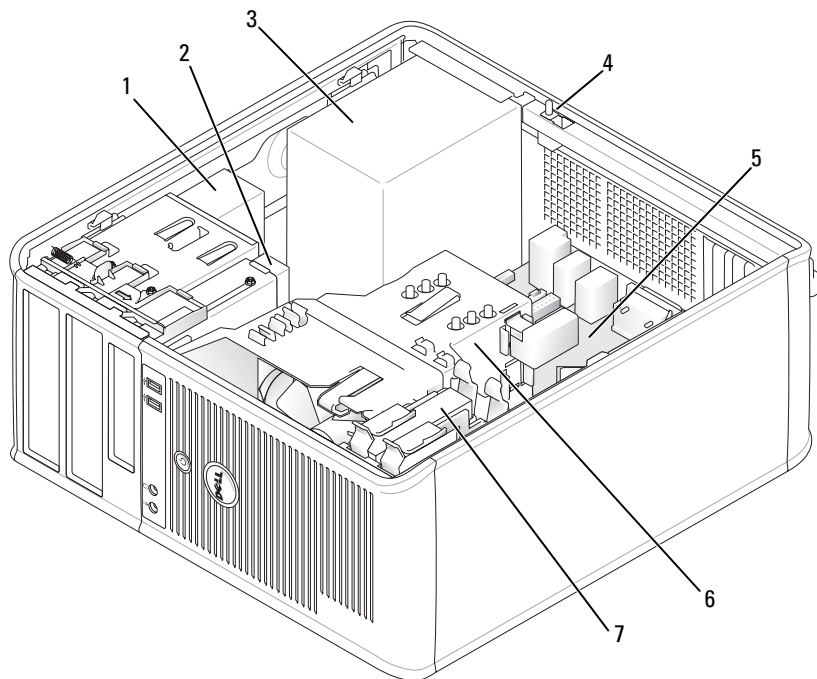
⚠ ATTENZIONE: I dissipatori di calore della scheda grafica potrebbero diventare molto caldi durante il regolare funzionamento. Assicurarsi di lasciar raffreddare il dissipatore di calore della scheda grafica per un tempo sufficiente, prima di toccarlo.



1 manopola di sblocco

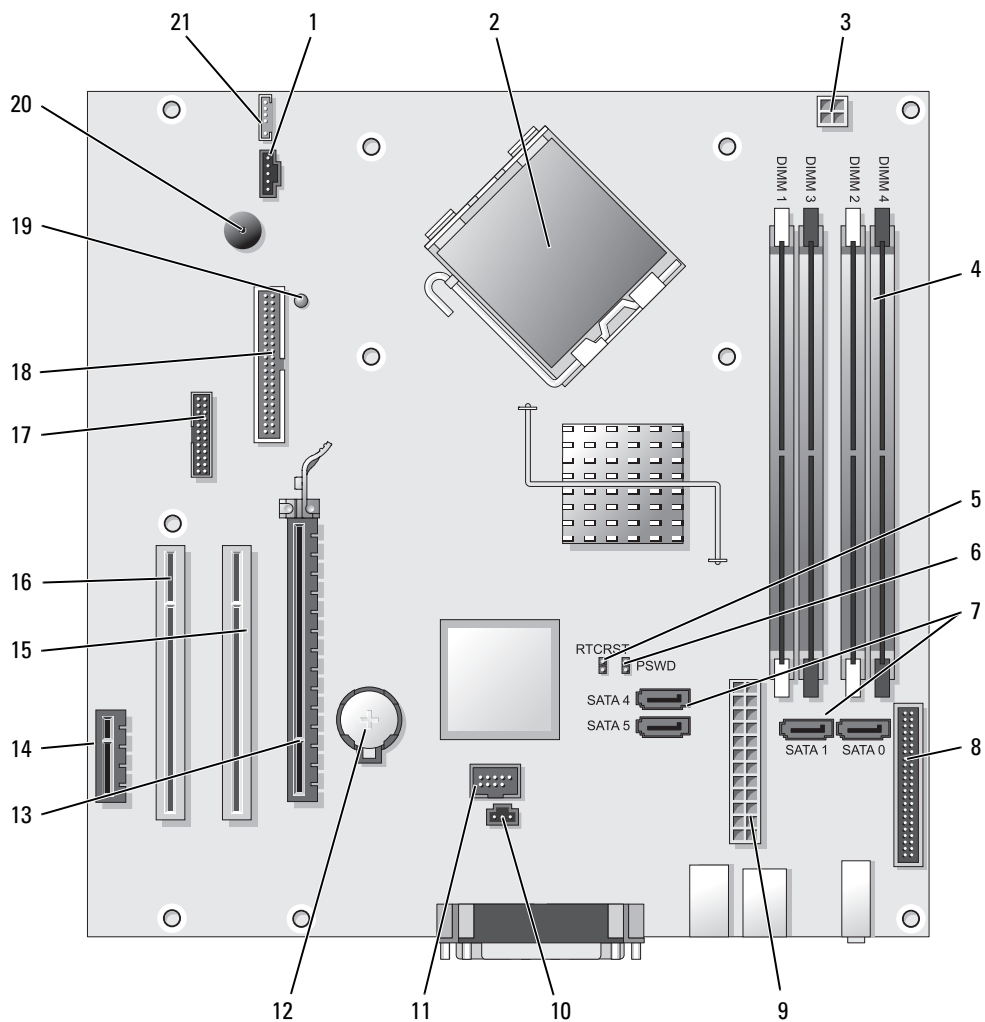
Esplorazione dell'interno del computer

Computer minitorre



- | | | | | | |
|---|-------------------------------------------|---|--------------------------------------------------|---|----------------------------------|
| 1 | unità ottica | 2 | unità disco floppy o lettore scheda multimediale | 3 | alimentatore |
| 4 | interruttore di apertura telaio opzionale | 5 | scheda di sistema | 6 | gruppo del dissipatore di calore |
| 7 | disco rigido | | | | |

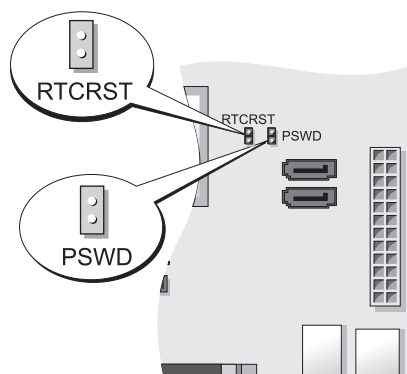
Componenti della scheda di sistema



- | | | | |
|---|-------------------------------------------------------------------|----|------------------------------------|
| 1 | connettore della ventola (FAN) | 12 | zoccolo della batteria (BATT) |
| 2 | connettore del processore (CPU) | 13 | connettore PCI Express x16 (SLOT1) |
| 3 | connettore di alimentazione del processore (12VPOWER) | 14 | connettore PCI Express x1 (SLOT4) |
| 4 | connettori dei moduli di memoria (DIMM_1, DIMM_2, DIMM_3, DIMM_4) | 15 | connettore PCI (SLOT2) |
| 5 | ponticello di ripristino RTC (RTCRST) | 16 | connettore PCI (SLOT3) |

- | | | | |
|----|---------------------------------------------------------|----|---------------------------------------------|
| 6 | ponticello di ripristino password (PSWD) | 17 | connettore seriale (SER2) |
| 7 | connettori dell'unità SATA (SATA0, SATA1, SATA4, SATA5) | 18 | connettore dell'unità disco floppy (DSKT) |
| 8 | connettore sul pannello anteriore (FNT_PANEL) | 19 | "alimentazione pulce" |
| 9 | connettore di alimentazione (POWER) | 20 | altoparlante sulla scheda di sistema (BEEP) |
| 10 | connettore dell'interruttore d'apertura (INTRUDER) | 21 | connettore dell'altoparlante (INT_SPKR) |
| 11 | USB interno (INTERNAL_USB) | | |

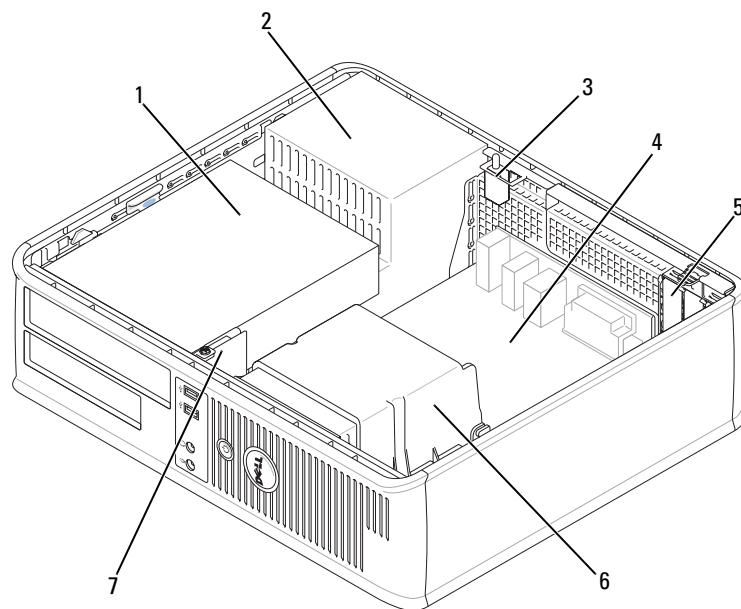
Impostazioni dei ponticelli



Ponticelli	Impostazione	Descrizione
PSWD		Le funzionalità della password sono attivate (impostazione predefinita).
		La funzionalità delle password sono disattivate.
RTCRST		L'orologio in tempo reale non è stato reimpostato.
		L'orologio in tempo reale è in corso di ripristino (collegato temporaneamente mediante ponticello).

collegato mediante ponticello
 collegato senza ponticello

Computer desktop



1 alloggiamenti per unità (lettore scheda multimediale o unità disco floppy, unità ottica e disco rigido)

2 alimentatore

3 interruttore di apertura telaio opzionale

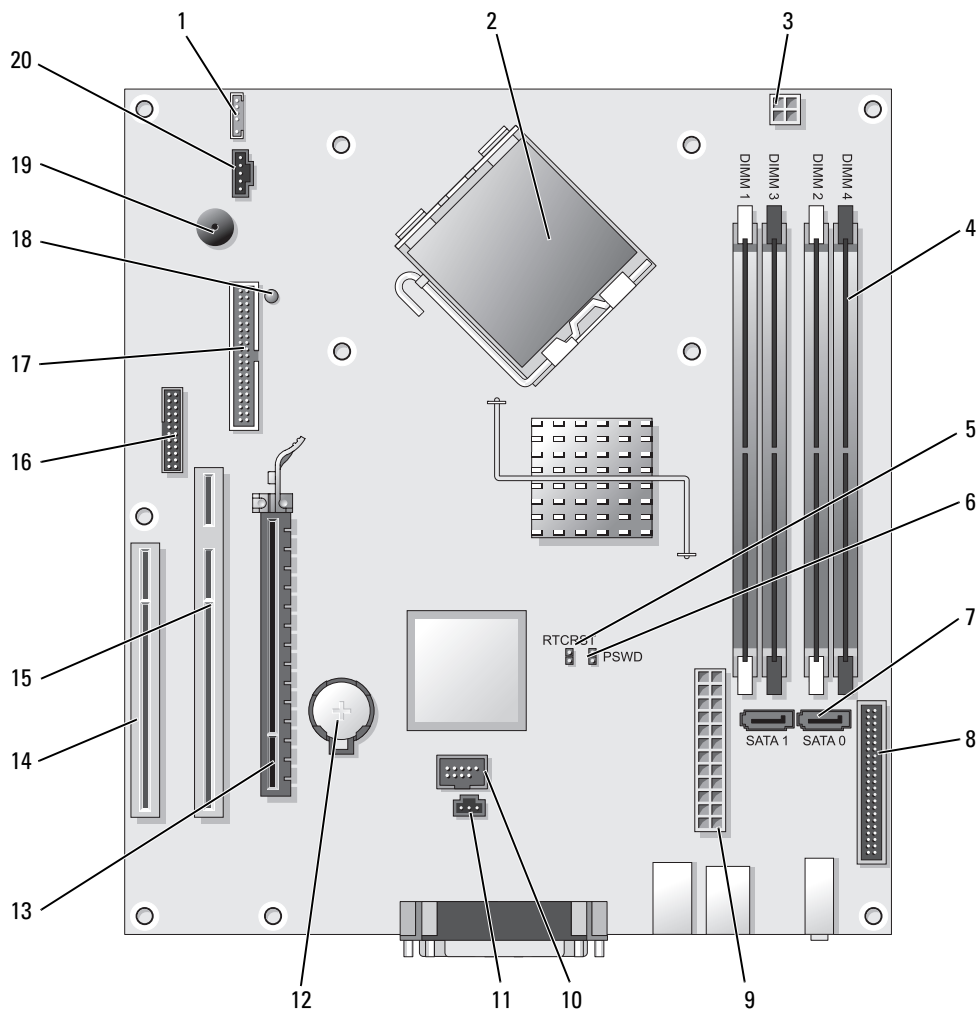
4 scheda di sistema

5 slot per schede

6 gruppo del dissipatore di calore

7 pannello anteriore d'I/O

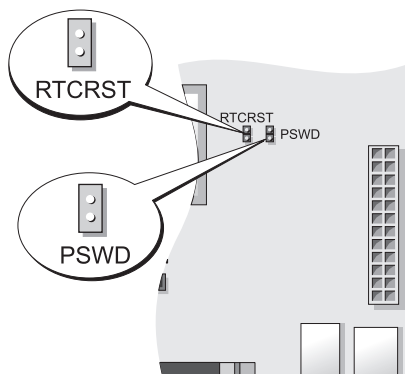
Componenti della scheda di sistema



- | | | | |
|---|-------------------------------------------------------------------|----|-----------------------------------------------------|
| 1 | altoparlante interno (INT_SPKR) | 11 | connettore dell'interruttore di apertura (INTRUDER) |
| 2 | connettore del processore (CPU) | 12 | zoccolo della batteria (BATT) |
| 3 | connettore di alimentazione del processore (12VPOWER) | 13 | connettore PCI Express x16 (SLOT1) |
| 4 | connettori dei moduli di memoria (DIMM_1, DIMM_2, DIMM_3, DIMM_4) | 14 | connettore PCI (SLOT3) |

- | | | | |
|----|-----------------------------------------------|----|---------------------------------------------|
| 5 | ponticello di ripristino RTC (RTCRST) | 15 | connettore PCI (SLOT2) |
| 6 | ponticello di ripristino password (PSWD) | 16 | connettore seriale (SER2) |
| 7 | connettori SATA (SATA0, SATA1) | 17 | connettore dell'unità disco floppy (DSKT) |
| 8 | connettore sul pannello anteriore (FNT_PANEL) | 18 | "alimentazione pulce" |
| 9 | connettore di alimentazione (POWER) | 19 | altoparlante sulla scheda di sistema (BEEP) |
| 10 | USB interno (INTERNAL_USB) | 20 | connettore della ventola (FAN) |

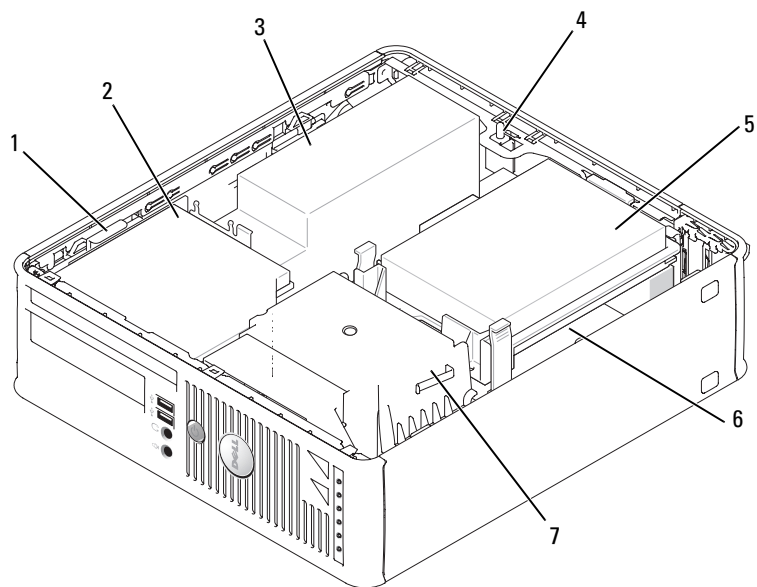
Impostazioni dei ponticelli



Ponticelli	Impostazione	Descrizione
PSWD		Le funzionalità della password sono attivate (impostazione predefinita).
		Le funzionalità delle password sono disattivate.
RTCRST		L'orologio in tempo reale non è stato reimpostato.
		L'orologio in tempo reale è in corso di ripristino (collegato temporaneamente mediante ponticello).

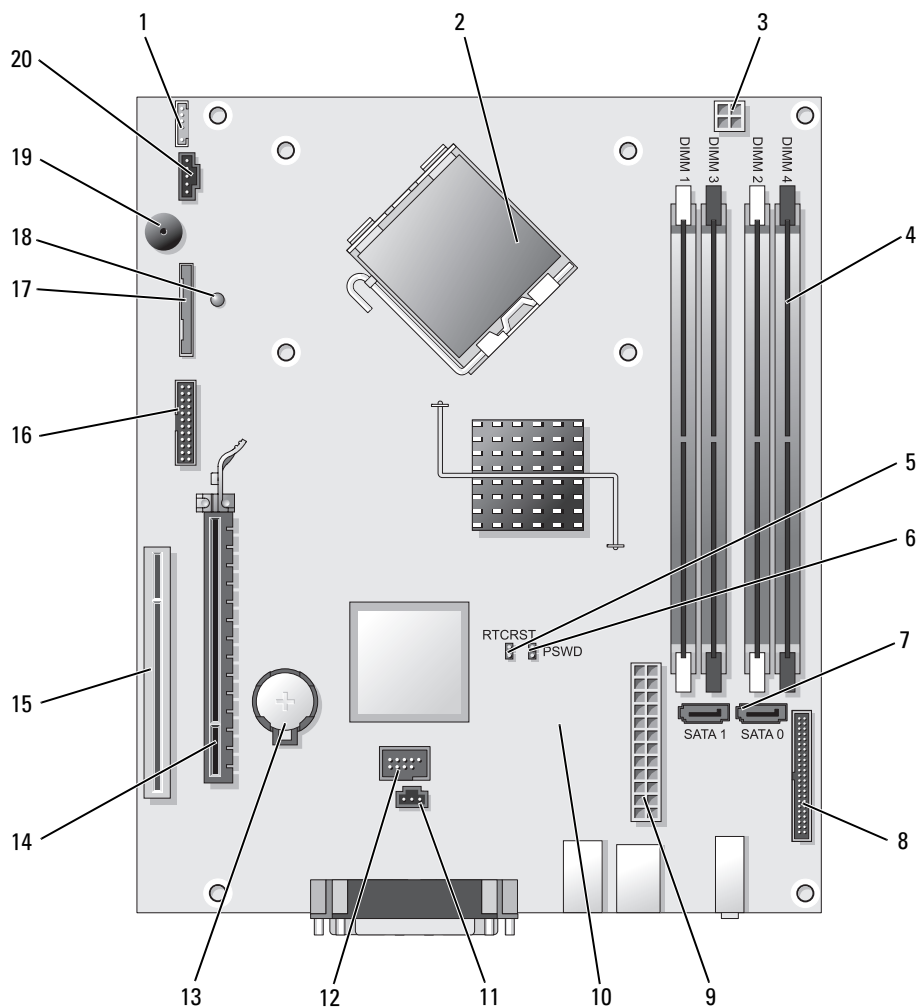
collegato mediante ponticello
 collegato senza ponticello

Computer con fattore di forma ridotto



- | | | | | | |
|---|----------------------------------------------|---|--------------|---|------------------------|
| 1 | chiusura a scatto dell'unità | 2 | unità ottica | 3 | alimentatore e ventola |
| 4 | interruttore di apertura telaio
opzionale | 5 | disco rigido | 6 | scheda di sistema |
| 7 | gruppo del dissipatore di
calore/ventola | | | | |

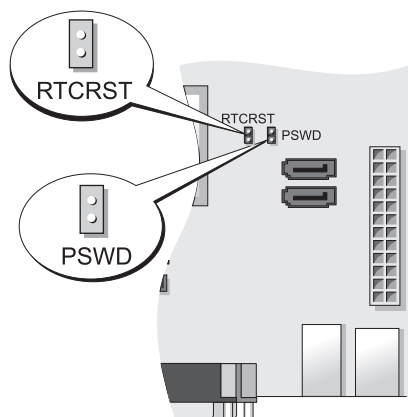
Componenti della scheda di sistema



- | | | | |
|---|-------------------------------------------------------------------|----|-----------------------------------------------------|
| 1 | connettore dell'altoparlante interno (INT_SPKR) | 11 | connettore dell'interruttore di apertura (INTRUDER) |
| 2 | connettore del processore (CPU) | 12 | connettore USB interno (USB) |
| 3 | connettore di alimentazione del processore (12VPOWER) | 13 | zoccolo della batteria (BATT) |
| 4 | connettori dei moduli di memoria (DIMM_1, DIMM_2, DIMM_3, DIMM_4) | 14 | connettore PCI Express x16 (SLOT1) |

- | | | | |
|----|-----------------------------------------------|----|---------------------------------------------|
| 5 | ponticello di ripristino RTC (RTCRST) | 15 | connettore PCI (SLOT2) |
| 6 | ponticello di ripristino password (PSWD) | 16 | connettore seriale (SER2) |
| 7 | connettori SATA (SATA0, SATA1) | 17 | connettore dell'unità disco floppy (DSKT) |
| 8 | connettore sul pannello anteriore (FNT_PANEL) | 18 | "alimentazione pulce" |
| 9 | connettore di alimentazione (POWER) | 19 | altoparlante sulla scheda di sistema (BEEP) |
| 10 | connettore della ventola (FAN2) | 20 | connettore della ventola (FAN) |

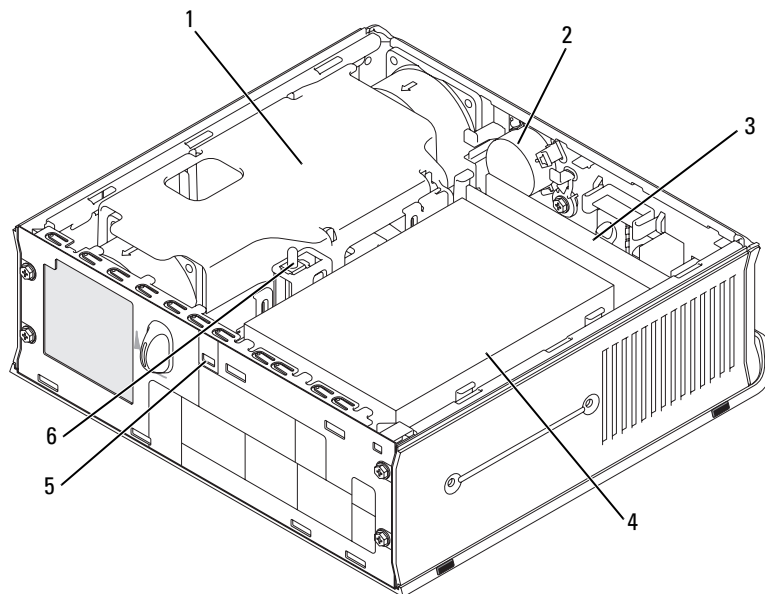
Impostazioni dei ponticelli



Ponticelli	Impostazione	Descrizione
PSWD		Le funzionalità della password sono attivate (impostazione predefinita).
		Le funzionalità delle password sono disattivate.
RTCRST		L'orologio in tempo reale non è stato reimpostato.
		L'orologio in tempo reale è in corso di ripristino (collegato temporaneamente mediante ponticello).

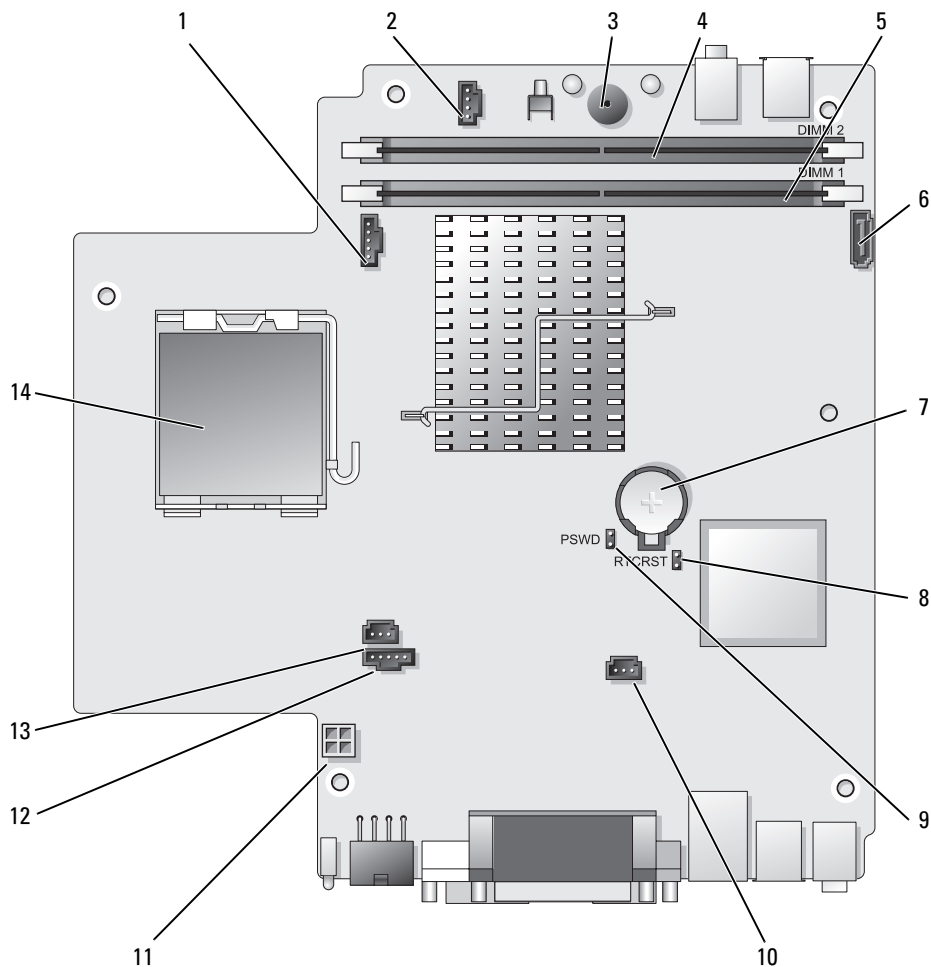
collegato mediante ponticello
 collegato senza ponticello

Computer con fattore di forma ultraridotto



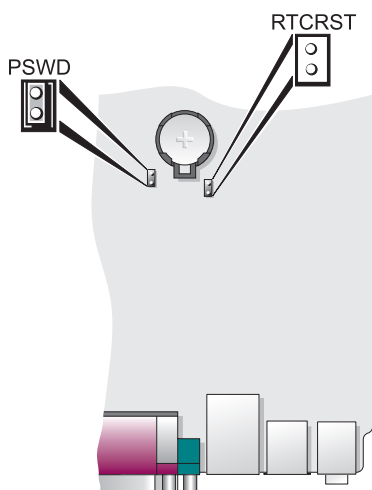
- | | | | | | |
|---|--------------------------------------------------------------|---|----------------------------|---|-------------------------------------|
| 1 | gruppo del convogliatore/dissipatore di calore della ventola | 2 | altoparlante (opzionale) | 3 | moduli di memoria (2) |
| 4 | disco rigido | 5 | slot per cavo di sicurezza | 6 | interruttore di apertura del telaio |

Componenti della scheda di sistema



- | | | | |
|---|-------------------------------------------------|----|---------------------------------------------------------|
| 1 | connettore della ventola (FAN_FRONT) | 8 | ponticello per azzeramento CMOS (RTCST) |
| 2 | connettore dell'altoparlante interno (INT_SPKR) | 9 | ponticello di ripristino password (PSWD) |
| 3 | altoparlante sulla scheda di sistema (BEEP) | 10 | connettore della ventola del disco rigido (FAN_HDD) |
| 4 | connettore della memoria del canale B (DIMM_2) | 11 | connettore di alimentazione del disco rigido (SATA_PWR) |
| 5 | connettore della memoria del canale A (DIMM_1) | 12 | connettore della ventola (FAN_REAR) |
| 6 | connettore del cavo dati SATA (SATA0) | 13 | connettore dell'interruttore di apertura (INTRUDER) |
| 7 | batteria (BATT) | 14 | processore (CPU) |

Impostazioni dei ponticelli



Ponticelli	Impostazione	Descrizione
PSWD		Le funzionalità della password sono attivate (impostazione predefinita).
		Le funzionalità delle password sono disattivate.
RTCRST		L'orologio in tempo reale non è stato reimpostato.
		L'orologio in tempo reale è in corso di ripristino (collegato temporaneamente mediante ponticello).

collegato mediante ponticello
 collegato senza ponticello

Configurazione del computer

- ATTENZIONE:** Prima di eseguire le procedure descritte in questa sezione, seguire le istruzioni di sicurezza ubicate nella *Guida alle informazioni sul prodotto*.
- AVVISO:** Se nel computer è stata installata una scheda di espansione (quale ad esempio una scheda modem), collegare il cavo di rete appropriato alla scheda, *non* al connettore sul pannello posteriore.
- AVVISO:** Per consentire al computer di mantenere una temperatura di esercizio ottimale, assicurarsi di collocare il computer lontano da pareti o scaffali che potrebbero impedire la circolazione dell'aria attorno al telaio. Consultare la Guida alle informazioni sul prodotto per maggiori informazioni.
- N.B.** Prima di installare qualsiasi periferica o software non forniti con il computer, leggere la documentazione fornita con tale periferica o software, o contattare il venditore per verificare che la periferica o il software sia compatibile con il computer e il sistema operativo.

Per installare correttamente il computer, seguire tutti i punti della procedura descritta. Vedere le figure appropriate che seguono le istruzioni.



AVVISO: Non usare contemporaneamente un mouse PS/2 e un mouse USB.

1 Collegare la tastiera e il mouse.



AVVISO: Non collegare il cavo di un modem al connettore della scheda di rete. La tensione della linea telefonica potrebbe causare danni alla scheda di rete.

2 Collegare il modem o il cavo di rete.

Inserire il cavo di rete, non quello telefonico, nel connettore di rete. Se l'utente ha in dotazione un modem opzionale, collegare il cavo telefonico al modem.

3 Collegare il monitor.

Inserire delicatamente il connettore del cavo del monitor allineandolo correttamente con il connettore sul computer per evitare di piegare i piedini. Stringere le viti a testa zigrinata dei connettori del cavo.



N.B. Alcuni monitor hanno il connettore video sotto il retro dello schermo. Consultare la documentazione fornita assieme al monitor per le ubicazioni dei connettori.

4 Collegare gli altoparlanti.

5 Collegare i cavi di alimentazione al computer, al monitor e alle periferiche e inserire l'altra estremità dei cavi di alimentazione nelle prese elettriche.



AVVISO: Per evitare di danneggiare il computer con un selettore di tensione manuale, impostare il selettore sulla tensione che meglio corrisponde all'alimentazione c.a. disponibile presso la sede.

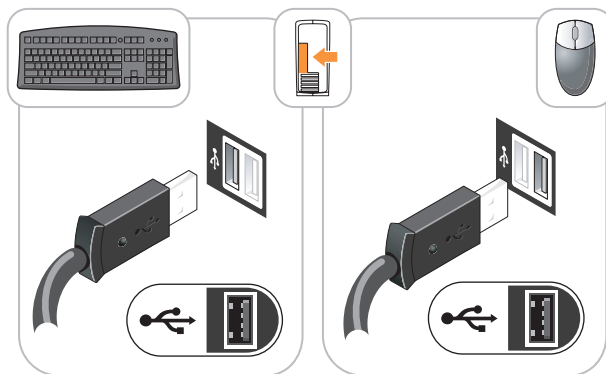


AVVISO: In Giappone, il selettore di tensione deve essere impostato sulla posizione 115 V anche se il valore dell'alimentazione c.a. disponibile è 100 V.

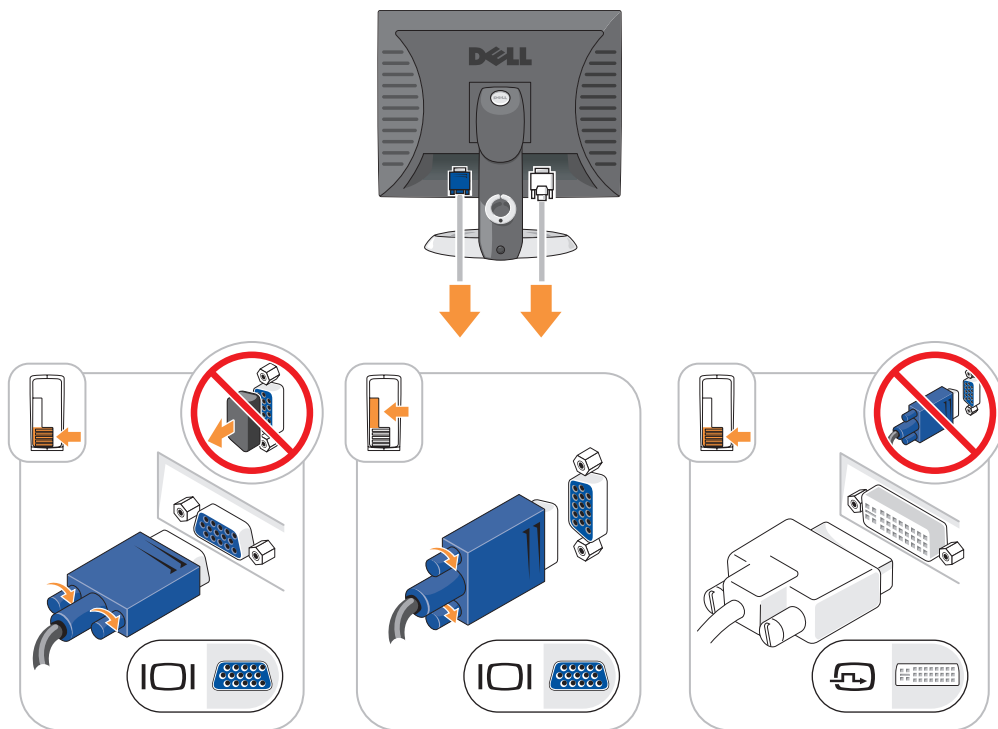
6 Verificare che il selettore di tensione sia impostato correttamente per la propria ubicazione.

Il computer ha un selettore di tensione manuale. I computer con un selettore di tensione sul pannello posteriore devono essere impostati manualmente per operare alla corretta tensione di esercizio.

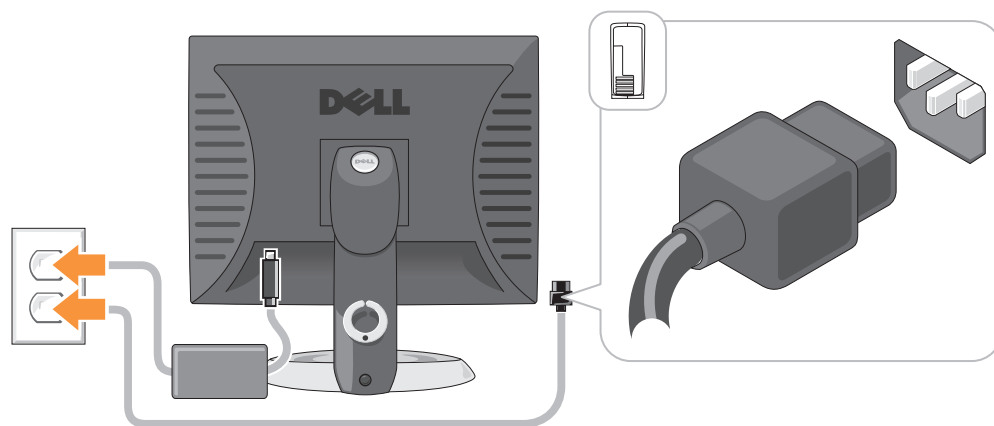
Configurazione della tastiera e del mouse



Configurazione del monitor



Collegamenti all'alimentazione



Soluzione dei problemi

Dell fornisce una serie di strumenti per assistere l'utente se il computer non funziona nel modo previsto. Per ottenere le informazioni più aggiornate per la risoluzione dei problemi, visitare il sito Web del supporto tecnico della Dell all'indirizzo support.dell.com.

Se i problemi relativi al computer riscontrati richiedono l'intervento di Dell, scrivere una descrizione dettagliata dell'errore, i codici bip o la combinazione degli indicatori di diagnostica, annotare di seguito il codice di servizio espresso e il Numero di servizio, quindi contattare la Dell dalla postazione di lavoro del computer. Per informazioni su come contattare la Dell, consultare la *Guida dell'utente* in linea.

Per un esempio del codice di servizio espresso e Numero di servizio, consultare "Ricerca di informazioni" nella *Guida dell'utente* del computer.

Codice di servizio espresso: _____

Numero di servizio: _____

Dell Diagnostics

⚠ ATTENZIONE: Prima di eseguire le procedure descritte in questa sezione, seguire le istruzioni di sicurezza riportate nella *Guida alle informazioni sul prodotto*.

Quando utilizzare il programma Dell Diagnostics

Se si sperimenta un problema relativo al computer, eseguire i controlli in "Soluzione dei problemi" nella *Guida dell'utente* in linea ed eseguire il programma Dell Diagnostics prima di contattare la Dell per assistenza tecnica. Per informazioni su come contattare la Dell, consultare la *Guida dell'utente* in linea.

🔄 AVVISO: Il programma Dell Diagnostics funziona solo su computer Dell™.

Accedere all'Installazione del sistema (per le istruzioni, consultare "Installazione del sistema" nella *Guida dell'utente* in linea), leggere le informazioni sulla configurazione del computer e assicurarsi che la periferica che si desidera esaminare sia visualizzata nell'Installazione del sistema e sia attiva.

Avviare il programma Dell Diagnostics dal disco rigido o dal CD opzionale *Drivers and Utilities* (*ResourceCD*).

Avvio del programma Dell Diagnostics dal disco rigido

- 1 Accendere il computer (o riavviare il sistema).
- 2 Quando viene visualizzato il logo della DELL™, premere immediatamente <F12>.



N.B. Se viene visualizzato un messaggio che indica che la partizione dell'utilità di diagnostica non è stata trovata, eseguire il programma Dell Diagnostics dal CD *Drivers and Utilities* (consultare "Avvio del programma Dell Diagnostics dal CD Drivers and Utilities" a pagina 229).

Se si attende troppo a lungo e viene visualizzato il logo del sistema operativo, attendere la visualizzazione del desktop di Microsoft® Windows®. Arrestare quindi il sistema e riprovare.

Quando viene visualizzato l'elenco delle periferiche di avvio, evidenziare **Boot to Utility partition** (Avvia alla partizione dell'utilità) e premere <Invio>.

- 3 Quando viene visualizzato il **Main Menu** (Menu principale) di Dell Diagnostics, scegliere il tipo di prova da eseguire.

Avvio del programma Dell Diagnostics dal CD Drivers and Utilities

- 1 Inserire il CD *Drivers and Utilities*.
- 2 Arrestare e riavviare il sistema.

Quando viene visualizzato il logo della DELL™, premere immediatamente <F12>.

Se si attende troppo a lungo e viene visualizzato il logo del sistema operativo, attendere che compaia il desktop di Microsoft Windows. Arrestare quindi il sistema e riprovare.



N.B. I passi successivi cambiano la sequenza d'avvio una sola volta. All'avvio successivo, il sistema si avvia in base alle periferiche specificate nell'Installazione del sistema.

- 3 Quando appare l'elenco delle unità d'avvio, evidenziare l'unità CD/DVD e premere <Invio>.
- 4 Selezionare l'opzione dell'unità CD/DVD dal menu di avvio del CD.
- 5 Selezionare l'opzione di avvio dall'unità CD/DVD dal menu che viene visualizzato.
- 6 Digitare 1 per avviare il menu del CD *Drivers and Utilities*.
- 7 Digitare 2 per avviare il programma Dell Diagnostics.
- 8 Selezionare **Run the 32 Bit Dell Diagnostics** (Esegui il programma Dell Diagnostics a 32 bit) dall'elenco numerato. Se sono elencate più versioni, selezionare la versione appropriata per il computer utilizzato.
- 9 Quando viene visualizzato il **Main Menu** (Menu principale) di Dell Diagnostics, scegliere il tipo di prova da eseguire.

Main Menu (Menu principale) di Dell Diagnostics

- 1 Dopo il caricamento del programma Dell Diagnostics e la visualizzazione della schermata **Main Menu** (Menu principale), fare clic sul pulsante relativo all'opzione desiderata.

Opzione	Funzione
Express Test	Esegue una prova veloce delle periferiche. L'esecuzione di questa prova richiede in genere da 10 a 20 minuti e non richiede interazione da parte dell'utente. Eseguire Express Test (Prova veloce) prima per aumentare la possibilità di scoprire il problema rapidamente.
Extended Test	Esegue una verifica approfondita delle periferiche. L'esecuzione di questa prova richiede in genere almeno un'ora e l'utente dovrà rispondere periodicamente a delle domande.
Custom Test	Esegue la prova di una periferica specifica. È possibile personalizzare le prove che si desidera eseguire.
Symptom Tree	Elenca i sintomi più comuni riscontrati e consente di selezionare una prova in base al sintomo del problema che si sperimenta.

- 2 Se si riscontra un problema durante una prova, viene visualizzato un messaggio che visualizza il codice di errore e la descrizione del problema. Annotare il codice di errore e la descrizione del problema e seguire le istruzioni visualizzate.

Se non è possibile risolvere la condizione di errore, contattare la Dell. Per informazioni su come contattare la Dell, consultare la *Guida dell'utente* in linea.



N.B. Il Numero di servizio per il computer si trova nella parte superiore di ciascuna schermata della prova. Se si contatta la Dell, il personale del supporto tecnico richiederà all'utente il Numero di servizio.

- 3 Se si esegue una prova dalle opzioni **Custom Test** (Prova personalizzata) o **Symptom Tree** (Albero dei sintomi), fare clic sulla scheda pertinente descritta nella tabella seguente per maggiori informazioni.

Scheda	Funzione
Results	Visualizza i risultati della prova e le eventuali condizioni di errore riscontrate.
Errors	Visualizza le condizioni di errore riscontrate, i codici di errore e la descrizione del problema.
Help	Descrive la prova e può contenere informazioni sui requisiti per l'esecuzione della prova.
Configuration	Visualizza la configurazione hardware della periferica selezionata. Le informazioni di configurazione di tutte le periferiche visualizzate nel programma Dell Diagnostics sono derivate dall'installazione del sistema, dalla memoria e da varie prove interne e vengono visualizzate nell'elenco delle periferiche disponibile nel riquadro sinistro dello schermo. Nell'elenco delle periferiche potrebbero non essere elencati i nomi di tutti i componenti installati nel computer o di tutte le periferiche collegate al computer.
Parameters	È possibile personalizzare la prova modificandone le impostazioni.

- 4 Quando le prove sono completate, se si sta eseguendo il programma Dell Diagnostics dal CD *Drivers and Utilities* (opzionale), rimuovere il CD.
- 5 Chiudere la schermata della prova per ritornare alla schermata **Main Menu** (Menu principale). Per uscire dal programma Dell Diagnostics e riavviare il sistema, chiudere la schermata **Main Menu** (Menu principale).

Indicatori di sistema

L'indicatore di alimentazione potrebbe indicare un problema al computer.

Indicatore di alimentazione	Descrizione del problema	Soluzione consigliata
Verde fisso	Il computer è acceso e funziona regolarmente.	Non è richiesta alcuna azione correttiva.
Verde lampeggiante	Il computer è ora in modalità di risparmio energia.	Premere il pulsante di alimentazione, spostare il mouse o premere un tasto sulla tastiera per riattivare il sistema.
Verde lampeggiante per alcuni istanti, quindi spento	È presente un errore di configurazione.	Verificare se gli indicatori della diagnostica identificano il problema specifico (consultare "Indicatori della diagnostica" a pagina 232).
Giallo fisso	Una periferica sulla scheda di sistema potrebbe essere difettosa o installata incorrettamente, oppure il selettore di tensione sull'alimentatore potrebbe essere impostato incorrettamente.	Verificare se gli indicatori della diagnostica identificano il problema specifico (consultare "Indicatori della diagnostica" a pagina 232). Consultare "Problemi relativi all'alimentazione" nella <i>Guida dell'utente</i> in linea. Se il computer non si avvia, contattare la Dell per supporto tecnico. Per informazioni su come contattare la Dell, consultare la <i>Guida dell'utente</i> in linea.
Giallo lampeggiante	Si è verificato un guasto all'alimentatore o alla scheda di sistema.	Verificare se gli indicatori della diagnostica identificano il problema specifico (consultare "Indicatori della diagnostica" a pagina 232). Consultare "Problemi relativi all'alimentazione" nella <i>Guida dell'utente</i> in linea. Se il computer non si avvia, contattare la Dell per supporto tecnico. Per informazioni su come contattare la Dell, consultare la <i>Guida dell'utente</i> in linea.
Verde fisso e codice bip durante il POST	È stato rilevato un problema durante l'esecuzione del BIOS.	Consultare "Codici bip" a pagina 234 per istruzioni relative alla diagnosi dei codici bip. Verificare inoltre se gli indicatori della diagnostica identificano il problema specifico.


Indicatore di alimentazione	Descrizione del problema	Soluzione consigliata
Indicatore di alimentazione verde fisso, nessun codice bip e schermo nero durante il POST	La scheda grafica o il monitor potrebbe essere guasto o non installato correttamente.	Verificare gli indicatori della diagnostica prima di controllare se è stato identificato un problema specifico.
Indicatore di alimentazione verde fisso e nessun codice bip, ma il computer si blocca durante il POST	È possibile che una periferica integrata della scheda di sistema sia danneggiata.	Verificare gli indicatori della diagnostica prima di controllare se è stato identificato un problema specifico. Se non è possibile identificare il problema, contattare la Dell per supporto tecnico. Per informazioni su come contattare la Dell, consultare la <i>Guida dell'utente</i> in linea.



Indicatori della diagnostica






 **ATTENZIONE:** Prima di eseguire le procedure descritte in questa sezione, seguire le istruzioni di sicurezza riportate nella *Guida alle informazioni sul prodotto*.




Per fornire assistenza all'utente in merito alla risoluzione dei problemi, quattro indicatori luminosi contrassegnati dai numeri "1", "2", "3" e "4" sono situati sul pannello anteriore o posteriore. Questi indicatori possono essere "spenti" o verdi. Quando il computer si avvia normalmente, le combinazioni o i codici luminosi cambiano durante la procedura di avvio. Se il POST viene superato durante l'avvio del sistema, i quattro indicatori diventano verdi fissi per un breve periodo, quindi si spengono.

Se durante il POST, invece, si verificano problemi di funzionamento del computer, è possibile fare riferimento alla combinazione visualizzata sui LED per identificare il punto della procedura in cui il computer si è bloccato. Se sussiste un malfunzionamento del computer dopo che il POST è stato superato, gli indicatori della diagnostica non indicano la causa del problema.

 **N.B.** L'orientamento degli indicatori della diagnostica può variare a seconda del tipo di sistema. Gli indicatori della diagnostica possono essere orientati verticalmente oppure orizzontalmente.

Combinazione di indicatori	Descrizione del problema	Soluzione consigliata
	Il computer si trova in una condizione di spegnimento normale o in una possibile anomalia pre-BIOS. Gli indicatori della diagnostica non sono accesi dopo il corretto avvio del sistema operativo.	Collegare il computer ad una presa elettrica funzionante e premere il pulsante di alimentazione.
	Possibile guasto del BIOS e attivazione della modalità di recupero.	Eseguire l'utilità di ripristino del BIOS, attendere il completamento del ripristino, quindi riavviare il sistema.

Combinazione di indicatori	Descrizione del problema	Soluzione consigliata
	Si è verificato un possibile guasto al processore.	Reinstallare il processore e riavviare il sistema. Per informazioni sulla reinstallazione del processore, consultare la <i>Guida dell'utente</i> in linea.
	I moduli di memoria sono rilevati, ma si è verificato un guasto della memoria.	<ul style="list-style-type: none"> • Se è presente un solo modulo di memoria, reinstallarlo e riavviare il sistema. Per informazioni sulla reinstallazione dei moduli di memoria, consultare la <i>Guida dell'utente</i> in linea. • Se sono presenti due o più moduli di memoria, rimuoverli, reinstallare un solo modulo, quindi riavviare il sistema. Se il sistema si avvia normalmente, reinstallare un modulo aggiuntivo. Continuare fino a individuare un modulo difettoso o a reinstallare tutti i moduli senza errori. • Se disponibile, installare nel computer memoria correttamente funzionante dello stesso tipo. • Se il problema persiste, contattare la Dell. Per informazioni su come contattare la Dell, consultare la <i>Guida dell'utente</i> in linea.
	Possibile guasto della scheda grafica.	<ul style="list-style-type: none"> • Se il computer dispone di una scheda grafica, rimuoverla, reinstallarla, quindi riavviare il sistema. • Se il problema persiste, installare una scheda grafica funzionante e riavviare il sistema. • Se il problema persiste o il computer dispone di grafica integrata, contattare la Dell. Per informazioni su come contattare la Dell, consultare la <i>Guida dell'utente</i> in linea.
	Si è verificata una possibile anomalia nell'unità disco floppy o disco rigido.	Riposizionare tutti i cavi di alimentazione e dati, e riavviare il sistema.
	Si è verificata una possibile anomalia alla USB.	Reinstallare tutte le periferiche USB, controllare le connessioni cavo, quindi riavviare il sistema.

Combinazione di indicatori	Descrizione del problema	Soluzione consigliata
	Non viene rilevato alcun modulo di memoria.	<ul style="list-style-type: none"> • Se è presente un solo modulo di memoria, reinstallarlo e riavviare il sistema. Per informazioni sulla reinstallazione dei moduli di memoria, consultare la <i>Guida dell'utente</i> in linea. • Se sono presenti due o più moduli di memoria, rimuoverli, reinstallare un solo modulo, quindi riavviare il sistema. Se il sistema si avvia normalmente, reinstallare un modulo aggiuntivo. Continuare fino a individuare un modulo difettoso o a reinstallare tutti i moduli senza errori. • Se disponibile, installare nel computer memoria correttamente funzionante dello stesso tipo. • Se il problema persiste, contattare la Dell. Per informazioni su come contattare la Dell, consultare la <i>Guida dell'utente</i> in linea.
	I moduli di memoria sono rilevati, ma esiste un errore di compatibilità o di configurazione della memoria.	<ul style="list-style-type: none"> • Accertarsi che non esistano requisiti speciali di posizionamento dei connettori o dei moduli di memoria. • Verificare che i moduli di memoria installati siano compatibili con il computer. • Se il problema persiste, contattare la Dell. Per informazioni su come contattare la Dell, consultare la <i>Guida dell'utente</i> in linea.
	<p>Si è verificata un'anomalia.</p> <p>Questa combinazione viene visualizzata anche quando si accede all'installazione del sistema e non indica necessariamente un problema.</p>	<ul style="list-style-type: none"> • Accertarsi che i cavi del disco rigido, dell'unità CD e dell'unità DVD siano correttamente collegati alla scheda di sistema. • Fare riferimento al messaggio visualizzato sullo schermo. • Se il problema persiste, contattare la Dell. Per informazioni su come contattare la Dell, consultare la <i>Guida dell'utente</i> in linea.

Codici bip

Se il computer non è in grado di visualizzare errori o problemi sul monitor, è possibile che all'avvio emetta una serie di bip. Questa serie di bip, detta codice bip, identifica il problema. Ad esempio, il codice bip 1 3-1 è costituito da un bip, seguito da una sequenza di tre bip e infine da un altro bip e segnala che è stato riscontrato un problema di memoria.

Se il computer emette un bip in fase di avvio, seguire la procedura descritta.

- 1 Annotare il codice bip.
- 2 Consultare "Dell Diagnostics" a pagina 228 per identificare una causa più seria.
- 3 Contattare la Dell per supporto tecnico. Per informazioni su come contattare la Dell, consultare la *Guida dell'utente* in linea.

Codice	Causa	Codice	Causa
1-1-2	Errore del registro del microprocessore	3-1-4	Errore del registro maschera d'interrupt slave
1-1-3	Errore di lettura/scrittura della NVRAM	3-2-2	Errore di caricamento del vettore di interrupt
1-1-4	Errore di checksum della ROM del BIOS	3-2-4	Errore della prova Keyboard Controller (Controller della tastiera)
1-2-1	Errore al timer di intervallo programmabile	3-3-1	Interruzione dell'alimentazione della NVRAM
1-2-2	Errore di inizializzazione dell'accesso diretto alla memoria (DMA)	3-3-2	Configurazione NVRAM non valida
1-2-3	Errore di lettura/scrittura dal o nel registro delle pagine DMA	3-3-4	Errore della prova Video Memory (Memoria video)
1-3	Errore della prova Video Memory (Memoria video)	3-4-1	Errore di inizializzazione dello schermo
Da 1-3-1 a 2-4-4	Memoria non correttamente identificata o usata	3-4-2	Errore di ritraccia dello schermo
3-1-1	Errore del registro DMA slave	3-4-3	Ricerca di errore della memoria ROM video
3-1-2	Errore del registro DMA master	4-2-1	Nessun timer tick
3-1-3	Errore del registro della maschera d'interrupt master	4-2-2	Errore dell'arresto
4-2-3	Errore del Gate A20	4-4-1	Errore di verifica della porta seriale o parallela
4-2-4	Interrupt imprevisto in modalità protetta	4-4-2	Errore di decompressione del codice nella memoria nascosta
4-3-1	Errore di memoria a un indirizzo superiore a 0FFFFh	4-4-3	Errore di verifica del coprocessore matematico
4-3-3	Errore del contatore 2 del chip del timer	4-4-4	Errore di verifica della cache
4-3-4	Orologio dell'ora del giorno interrotto		

Risoluzione di incompatibilità del software e dell'hardware


Se durante l'installazione del sistema operativo una periferica non viene rilevata oppure viene rilevata e configurata in modo errato, è possibile usare l'utilità Risoluzione dei problemi relativi all'hardware per risolvere il problema di compatibilità.

- 1 Fare clic sul pulsante **Start**, quindi scegliere **Guida in linea e supporto tecnico**.
- 2 Digitare **risoluzione di problemi relative all'hardware** nel campo **Cerca**, quindi fare clic sulla freccia per iniziare la ricerca.

- 3 Fare clic su **Risoluzione dei problemi relativi all'hardware** nell'elenco **Risultati ricerca**.
- 4 Nell'elenco **Risoluzione dei problemi relativi all'hardware** fare clic su **Risoluzione di un conflitto hardware nel computer**, quindi fare clic su **Avanti**.

Uso del Ripristino configurazione di sistema di Microsoft Windows XP


Il sistema operativo Microsoft Windows XP dispone di una funzionalità Ripristino configurazione di sistema che permette di riportare il computer ad uno stato operativo precedente (senza modificare i file di dati) qualora in seguito a modifiche all'hardware, al software o ad altre impostazioni del sistema, lo stesso non dovesse più funzionare correttamente. Consultare la Guida in linea e supporto tecnico di Windows per informazioni sull'utilizzo di Ripristino configurazione di sistema. Per accedere alla Guida in linea e supporto tecnico di Windows, consultare "Guida in linea e supporto tecnico di Windows" a pagina 188.

 **AVVISO:** Eseguire i backup regolari dei file di dati. Ripristino configurazione di sistema non controlla i file di dati e non può ripristinarli.

Creazione di un punto di ripristino

- 1 Fare clic sul pulsante **Start**, quindi scegliere **Guida in linea e supporto tecnico**.
- 2 Fare clic su **Ripristino configurazione di sistema**.
- 3 Seguire le istruzioni visualizzate.


Ripristino del computer a uno stato operativo precedente

 **AVVISO:** Salvare e chiudere qualsiasi file aperto e uscire da qualsiasi programma aperto prima di ripristinare il computer ad uno stato operativo precedente. Non modificare, aprire o eliminare alcun file o programma prima che il sistema venga completamente ripristinato.

- 1 Fare clic sul pulsante **Start**, scegliere **Tutti i programmi**→ **Accessori**→ **Utilità di sistema**, quindi fare clic su **Ripristino configurazione di sistema**.
- 2 Verificare che l'opzione **Ripristina l'installazione del sistema esistente in un dato momento** sia selezionata, quindi fare clic su **Avanti**.
- 3 Selezionare dal calendario la data a cui si desidera ripristinare la configurazione del computer.
Nella schermata **Selezionare un punto di ripristino** è disponibile un calendario in cui sono riportati i punti di ripristino e da cui è possibile selezionare quello desiderato. Se per una data è disponibile un punto di ripristino, tale data viene visualizzata in grassetto.
- 4 Selezionare un punto di ripristino, quindi fare clic su **Avanti**.
Se per una data è disponibile un solo punto di ripristino, questo verrà automaticamente selezionato. Se, invece, sono disponibili due o più punti di ripristino, è necessario fare clic su quello desiderato.
- 5 Fare clic su **Avanti**.
Al termine della raccolta dei dati, verrà visualizzato il messaggio **Ripristino completo** e il sistema verrà quindi riavviato.
- 6 Al riavvio del sistema, fare clic su **OK**.

Per modificare il punto di ripristino, ripetere la procedura usando un punto di ripristino diverso oppure annullare il ripristino.

Annullamento dell'ultimo ripristino configurazione di sistema

 **AVVISO:** Salvare e chiudere tutti i file aperti e uscire da tutti i programmi in esecuzione prima di annullare l'ultimo ripristino del sistema. Non modificare, aprire o eliminare alcun file o programma prima che il sistema venga completamente ripristinato.

- 1 Fare clic sul pulsante **Start**, scegliere **Tutti i programmi**→ **Accessori**→ **Utilità di sistema**, quindi fare clic su **Ripristino configurazione di sistema**.
- 2 Selezionare **Annulla ultima operazione di ripristino**, quindi fare clic su **Avanti**.
- 3 Fare clic su **Avanti**.
Viene visualizzata la finestra **Ripristino configurazione di sistema**, quindi il sistema si riavvia.
- 4 Al riavvio del sistema, fare clic su **OK**.


Attivazione del Ripristino configurazione di sistema

Se si reinstalla Windows XP su un disco rigido con meno di 200 MB di spazio libero, Ripristino configurazione di sistema viene automaticamente disattivato. Per verificare se Ripristino configurazione di sistema è attivato:

- 1 Fare clic sul pulsante **Start** e fare clic su **Pannello di controllo**.
- 2 Fare clic su **Prestazioni e manutenzione**.
- 3 Fare clic su **Sistema**.
- 4 Selezionare la scheda **Ripristino configurazione di sistema**.
- 5 Accertarsi che **Disattiva Ripristino configurazione di sistema** non sia selezionato.

Reinstallazione di Microsoft Windows XP

Procedure preliminari

 **N.B.** Le procedure in questo documento sono state scritte per la visualizzazione predefinita di Windows XP Home Edition, quindi la procedura sarà diversa se si imposta il computer Dell™ sulla visualizzazione classica di Windows o se si sta utilizzando Windows XP Professional.

Prima di reinstallare il sistema operativo Windows XP per correggere un problema relativo a un driver appena installato, provare a usare l'utilità Ripristino driver di periferica di Windows XP.

- 1 Fare clic sul pulsante **Start** e su **Pannello di controllo**.
- 2 In **Scegliere una categoria**, fare clic su **Prestazioni e manutenzione**.
- 3 Fare clic su **Sistema**.
- 4 Nella finestra **Proprietà del sistema**, selezionare la scheda **Hardware**.
- 5 Fare clic su **Gestione periferiche**.
- 6 Fare clic con il pulsante destro del mouse sulla periferica per la quale il nuovo driver è stato installato e fare clic su **Proprietà**.
- 7 Selezionare la scheda **Driver**.
- 8 Fare clic su **Ripristina driver**.

Se Ripristino driver di periferica non risolve il problema, utilizzare Ripristino configurazione di sistema per riportare il sistema operativo allo stato operativo in cui si trovava prima dell'installazione del nuovo driver della periferica (consultare "Uso del Ripristino configurazione di sistema di Microsoft Windows XP" a pagina 236).



N.B. Il CD *Drivers and Utilities* contiene driver che sono stati installati durante l'assemblaggio del computer. Utilizzare il CD *Drivers and Utilities* per caricare eventuali driver richiesti, includendo i driver richiesti se il computer ha un controller RAID.

Reinstallazione di Windows XP



AVVISO: Quando si reinstalla Windows XP, utilizzare Windows XP Service Pack 1 o successivo.



AVVISO: Prima di procedere con l'installazione, eseguire il backup di tutti i file di dati presenti sul disco rigido primario. Nelle configurazioni standard, il disco rigido principale è la prima unità rilevata dal computer.

Per reinstallare Windows XP sono necessari i seguenti supporti.

- CD *Sistema operativo* di Dell
- CD *Drivers and Utilities* di Dell

Per reinstallare Windows XP, eseguire tutti i punti descritti nelle sezioni seguenti nell'ordine in cui sono riportati.

Il processo di installazione può durare da 1 a 2 ore. Dopo avere reinstallato il sistema operativo, è inoltre necessario reinstallare i driver di periferica, il programma antivirus e altro software.



AVVISO: Il CD *Sistema operativo* fornisce diverse opzioni per reinstallare Windows XP. Tali opzioni potrebbero sovrascrivere i file installati ed eventualmente compromettere il funzionamento dei programmi installati sul disco rigido. Pertanto non reinstallare Windows XP a meno che ciò non sia stato raccomandato da un rappresentante del supporto tecnico di Dell.



AVVISO: Al fine di prevenire conflitti con Windows XP, disattivare l'eventuale software antivirus installato nel sistema prima di reinstallare il sistema operativo. Per istruzioni, consultare la documentazione fornita con il software.

Avvio dal CD Sistema operativo

- 1 Salvare e chiudere i file aperti e uscire da tutte le applicazioni in esecuzione.
- 2 Inserire il CD *Sistema operativo*. Fare clic su **Esci** se il messaggio **Installa Windows XP** viene visualizzato.
- 3 Riavviare il sistema.
- 4 Premere <F12> immediatamente dopo che appare il logo DELL.
Se viene visualizzato il logo del sistema operativo, attendere la visualizzazione del desktop di Windows, quindi arrestare il sistema e riprovare.
- 5 Premere i tasti di direzione per selezionare **CD-ROM**, quindi premere <Invio>.
- 6 Quando viene visualizzato il messaggio **Premere un tasto per avviare da CD-ROM**, premere un tasto.

Installazione di Windows XP

- 1 Quando viene visualizzata la schermata **Installazione di Windows XP**, premere <Invio> per selezionare **Installa Windows ora**.
- 2 Leggere le informazioni nella schermata **Contratto di licenza di Microsoft Windows** e premere <F8> per accettare il contratto di licenza Microsoft.
- 3 Se sul computer è già installato Windows XP e si desidera ripristinare i dati presenti nella configurazione corrente di Windows XP, digitare **r** per selezionare l'opzione di ripristino, quindi rimuovere il CD dall'unità.
- 4 Se si desidera installare una copia di Windows XP, premere <Esc> per selezionare tale opzione.
- 5 Premere <Invio> per selezionare la partizione evidenziata (opzione consigliata), quindi seguire le istruzioni visualizzate.

Viene visualizzata la schermata **Installazione di Windows XP** e viene avviato il processo di copia dei file e di installazione delle periferiche del sistema operativo. Il sistema si riavvierà automaticamente più volte.



N.B. Il tempo necessario per completare l'installazione dipende dalle dimensioni del disco rigido e dalla velocità del computer.



AVVISO: Non premere nessun tasto quando viene visualizzato il messaggio: Premere un tasto per avviare da CD-ROM.


- 6 Quando viene visualizzata la schermata **Opzioni internazionali e della lingua**, selezionare le impostazioni per la propria ubicazione e fare clic su **Avanti**.
- 7 Immettere il nome e la società (opzionale) nella schermata **Personalizzazione del software**, quindi fare clic su **Avanti**.
- 8 Immettere il nome del computer (o accettare quello predefinito) e una password nella finestra **Nome computer e password di amministratore**, quindi fare clic su **Avanti**.
- 9 Se viene visualizzata la schermata **Informazioni su chiamata modem**, immettere le informazioni richieste e fare clic su **Avanti**.
- 10 Immettere la data, l'ora e il fuso orario nella finestra **Impostazioni data e ora**, quindi fare clic su **Avanti**.
- 11 Se viene visualizzata la schermata **Impostazioni di rete**, fare clic su **Tipica** e su **Avanti**.
- 12 Se si sta reinstallando Windows XP Professional e viene chiesto di fornire ulteriori informazioni sulla configurazione di rete, effettuare le selezioni appropriate. Se non si è certi di quali informazioni immettere, è consigliabile accettare le opzioni predefinite.

Windows XP installerà i componenti del sistema operativo e configurerà il computer. Il sistema si riavvierà automaticamente.




AVVISO: Non premere nessun tasto quando viene visualizzato il messaggio: Premere un tasto per avviare da CD-ROM.

- 13 Quando appare la schermata **Microsoft Windows**, fare clic su **Avanti**.
- 14 Quando viene visualizzato il messaggio **Tipo di connessione a Internet**, fare clic su **Ignora**.

- 15 Quando viene visualizzata la schermata **Registrazione prodotto Microsoft**, selezionare **No, non adesso** e fare clic su **Avanti**.
 - 16 Quando viene visualizzata la schermata **Utenti del computer**, è possibile immettere fino a cinque utenti.
 - 17 Fare clic su **Avanti**.
 - 18 Fare clic su **Fine** per completare l'installazione, quindi rimuovere il CD dall'unità.
 - 19 Reinstallare i driver appropriati col CD *Drivers and Utilities*.
 - 20 Reinstallare il software antivirus.
 - 21 Reinstallare i programmi.
-  **N.B.** Per reinstallare ed attivare i programmi della suite Microsoft Office o Microsoft Works, è necessario il numero della Product Key ubicato sul retro della custodia del CD della suite Microsoft Office o Microsoft Works.

Uso del CD Drivers and Utilities

Per usare il CD *Drivers and Utilities* (*ResourceCD*) durante l'esecuzione del sistema operativo Windows.

 **N.B.** Per accedere ai driver di periferica e alla documentazione per l'utente, è necessario usare il CD *Drivers and Utilities* mentre sul computer è in esecuzione un sistema operativo Windows.

- 1 Accendere il computer e attendere che venga visualizzato il desktop di Windows.
- 2 Inserire il CD *Drivers and Utilities* nell'unità CD.

La prima volta che si usa il CD *Drivers and Utilities* sul computer, si apre la finestra **ResourceCD Installation** (Installazione di ResourceCD) per informare che il CD *Drivers and Utilities* sta per iniziare l'installazione.

- 3 Fare clic su **OK** per continuare.
Per completare l'installazione, rispondere alle domande visualizzate dal programma di installazione.
- 4 Fare clic su **Next** (Avanti) nella schermata **Welcome Dell System Owner** (Introduzione al sistema Dell).

Selezionare le voci appropriate per **System Model** (Modello del sistema), **Operating System** (Sistema operativo), **Device Type** (Tipo di periferica) e **Topic** (Argomento).

Driver per il computer

Per visualizzare un elenco di driver di periferica per il computer:

- 1 Fare clic su **My Drivers** (Driver di periferica) nel menu a discesa **Topic** (Argomento).
Il CD *Drivers and Utilities* (opzionale) esegue un'analisi dell'hardware del sistema operativo del computer e, al termine, viene visualizzato l'elenco dei driver di periferica per l'attuale configurazione del sistema.
- 2 Fare clic sul driver desiderato e seguire le istruzioni per scaricare il file sul computer.

Per visualizzare un elenco di tutti i driver disponibili per il computer, fare clic su **Drivers** nel menu a discesa **Topic** (Argomento).

Indice analitico

A

alimentazione
 indicatore, 196, 200

C

CD
 sistema operativo, 188
CD Drivers and Utilities, 187
CD Sistema operativo, 188
codici bip, 234
conflitti
 incompatibilità del software e
 dell'hardware, 235
conflitti IRQ, 235
Contratto di licenza con
 l'utente finale, 188
coperchio
 rimozione, 207

D

Dell Diagnostics, 228
diagnostica
 codici bip, 234
 Dell Diagnostics, 228
documentazione
 Contratto di licenza con
 l'utente finale, 188
 ergonomia, 188

 garanzia, 188
 Guida alle informazioni sul
 prodotto, 188
 Guida dell'utente, 187
 in linea, 189
 normativa, 188
 sicurezza, 188
driver
 elenco di, 240

E

etichette
 Microsoft Windows, 189
 Numero di servizio, 189

F

file della guida
 Guida in linea e supporto
 tecnico di Windows, 188

G

Guida alle informazioni sul
 prodotto, 188
Guida dell'utente, 187
Guida in linea e supporto
 tecnico, 188

H

hardware
 codici bip, 234
 Dell Diagnostics, 228

I

indicatore di alimentazione
 diagnostica dei problemi
 con, 231
indicatori
 alimentazione, 196, 200
 diagnostica, 232
 sistema, 231
informazioni
 sull'ergonomia, 188
informazioni sulla
 garanzia, 188
informazioni sulle
 normative, 188
installare componenti
 operazioni preliminari, 207
istruzioni di sicurezza, 188

M

messaggi di errore
 codici bip, 234
 indicatori della
 diagnostica, 232
 indicatori di sistema, 231

N

Numero di servizio, 189

P

problemi. Vedere *risoluzione dei problemi*

R

reinstallazione

Windows XP, 237

Ripristino configurazione di sistema, 236

risoluzione dei problemi

codici bip, 234

conflitti, 235

Dell Diagnostics, 228

Guida in linea e supporto tecnico, 188

indicatori della

diagnostica, 232

indicatori di sistema, 231

ripristinare il computer ad uno stato operativo precedente, 236

Risoluzione dei, 235

Risoluzione dei problemi

relativi all'hardware, 235

S

scheda di sistema, 215, 218, 224

scheda madre. Vedere scheda di sistema

sistema operativo

reinstallazione, 188

reinstallazione di Windows XP, 237

sito del supporto tecnico della Dell, 189

sito Web del supporto tecnico, 189

W

Windows XP

Guida in linea e supporto tecnico, 188

installazione, 239

reinstallazione, 188, 237

Ripristino configurazione di sistema, 236

Risoluzione dei problemi

relativi all'hardware, 235

Dell™ OptiPlex™ 745

Guía de referencia rápida

Modelos DCTR, DCNE, DCSM y DCCY

www.dell.com | support.dell.com

Notas, avisos y precauciones



NOTA: Una NOTA indica información importante que le ayuda a hacer un mejor uso del equipo.



AVISO: Un AVISO indica la posibilidad de daños al hardware o pérdida de datos y le explica cómo evitar el problema.



PRECAUCIÓN: Una PRECAUCIÓN indica la posibilidad de sufrir daños materiales o personales, e incluso peligro de muerte.

Si ha adquirido un ordenador Dell™ Serie n, todas las referencias que aparecen en este documento relativas a los sistemas operativos de Microsoft® Windows® no son aplicables.

La información contenida en este documento puede modificarse sin aviso previo.

© 2006 Dell Inc. Todos los derechos reservados.

La reproducción de esta guía sin el permiso escrito de Dell Inc. queda terminantemente prohibida.

Marcas comerciales utilizadas en este texto: *Dell*, el logotipo de *DELL*, *Inspiron*, *Dell Precision*, *Dimension*, *OptiPlex*, *Latitude*, *PowerEdge*, *PowerVault*, *PowerApp* y *Dell OpenManage* son marcas comerciales de Dell Inc.; *Intel*, *Pentium* y *Celeron* son marcas comerciales registradas de Intel Corporation; *Microsoft* y *Windows* son marcas comerciales registradas de Microsoft Corporation.

Este documento puede incluir otras marcas y nombres comerciales para referirse a las entidades que son propietarias de los mismos o a sus productos. Dell Inc. renuncia a cualquier interés sobre la propiedad de marcas y nombres comerciales que no sean los suyos.

Modelos DCTR, DCNE, DCSM y DCCY

Agosto de 2006

N/P KH287


Rev. A00

Contenido

Búsqueda de información	247
Vistas del sistema	250
Ordenador minitorre— Vista anterior	250
Ordenador minitorre— Vista posterior	252
Ordenador minitorre — Conectores del panel posterior.	253
Ordenador de sobremesa— Vista anterior.	255
Ordenador de sobremesa— Vista posterior	256
Ordenador de sobremesa — Conectores del panel posterior.	257
Ordenador de formato reducido — Vista posterior	259
Ordenador de formato reducido — Vista posterior	260
Ordenador de formato reducido — Conectores del panel posterior.	261
Ordenador de formato ultrareducido — Vista anterior	263
Ordenador de formato ultrareducido — Vista lateral	264
Ordenador de formato ultrareducido — Vista posterior	265
Ordenador de formato ultrareducido — Conectores del panel posterior	265
Cómo quitar la cubierta del ordenador	266
Antes de empezar.	267
Ordenador de minitorre.	268
Ordenador de sobremesa.	269
Ordenador de formato reducido	270
Ordenador de formato ultrareducido	272
Interior de su ordenador	274
Ordenador de minitorre.	274
Ordenador de sobremesa.	277
Ordenadores de formato reducido	280
Ordenador de formato ultrareducido	283
Configuración del ordenador	285
Configurar el teclado y el ratón.	287
Configurar el monitor	287
Conexiones de alimentación	288
Solución de problemas	288
Dell Diagnostics.	288

Indicadores luminosos del sistema.	291
Indicadores de diagnóstico.	292
Códigos de sonido	294
Cómo resolver incompatibilidades de software y hardware.	295
Utilización de la función Restaurar sistema de Microsoft Windows XP	296
Cómo volver a instalar Microsoft Windows XP	297
Uso del CD Drivers and Utilities	300
Controladores para el ordenador.	300
 Índice	 301

Búsqueda de información

 **NOTA:** Algunas funciones o medios son opcionales y pueden no incluirse en su ordenador. Es posible que algunas funciones o medios no estén disponibles en determinados países.

 **NOTA:** Su ordenador puede incluir información adicional.

¿Qué busca?

- Un programa de diagnóstico para mi ordenador
- Controladores para mi ordenador
- La documentación de mi ordenador
- La documentación de mi dispositivo
- Software del sistema de escritorio (DSS)

Aquí lo encontrará

CD Drivers and Utilities (Controladores y utilidades) (ResourceCD)

NOTA: El CD denominado *Drivers and Utilities* (Controladores y utilidades) es opcional y es posible que no se entregue con el ordenador.

La documentación y los controladores ya están instalados en su ordenador. Puede utilizar el CD para volver a instalar los controladores (consulte el apartado “Uso del CD Drivers and Utilities” en la página 300), para ejecutar los Dell Diagnostics (consulte el apartado “Dell Diagnostics” en la página 288) o para acceder a la documentación.



Los archivos “readme” (léame) pueden estar incluidos en su CD para disponer de actualizaciones de última hora sobre los cambios técnicos del ordenador o material de consulta destinado a los técnicos o usuarios avanzados.

NOTA: Los controladores y las actualizaciones de la documentación se pueden encontrar en support.dell.com.

- Cómo extraer y cambiar piezas
- Especificaciones
- Cómo configurar los parámetros del sistema
- Cómo detectar y solucionar problemas

Guía del usuario Dell™ OptiPlex™

Centro de ayuda y soporte técnico de Microsoft Windows XP

1 Haga clic en Inicio → Ayuda y soporte técnico → Guías del usuario y del sistema Dell → Guías del sistema.

2 Haga clic en la *Guía del usuario* de su ordenador.

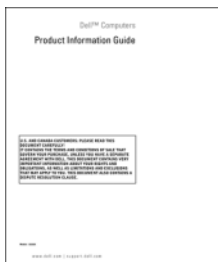
La *Guía del usuario* también está disponible en el CD opcional *Drivers and Utilities* (Controladores y utilidades).

¿Qué busca?

- Información sobre la garantía
- Términos y condiciones (sólo en EE.UU.)
- Instrucciones de seguridad
- Información reglamentaria
- Información ergonómica
- Contrato de licencia de usuario final

Aquí lo encontrará

Guía de información del producto de Dell™



-
- Cómo volver a instalar mi sistema operativo

CD Operating System (Sistema operativo)

NOTA: El CD *Operating System* (Sistema operativo) es opcional, por lo que es posible que no se envíe con su ordenador.

El sistema operativo ya está instalado en el ordenador. Para volver a instalar el sistema operativo, use el CD del *sistema operativo* (consulte el apartado “Cómo volver a instalar Microsoft Windows XP” en la página 297).



Después de volver a instalar el sistema operativo, utilice el CD opcional *Drivers and Utilities* (Controladores y utilidades) (*ResourceCD*) para reinstalar los controladores de los dispositivos que se proporcionan con el ordenador. Para obtener más información, consulte el apartado “CD Drivers and Utilities (Controladores y utilidades) (*ResourceCD*)” en la página 247.

La etiqueta con la clave del producto del sistema operativo se encuentra en el ordenador (consulte el apartado “Etiqueta de servicio y clave del producto de Microsoft® Windows®” en la página 249).

NOTA: El color del CD *Operating System* (Sistema operativo) varía en función del sistema operativo que haya solicitado.

-
- Cómo utilizar Windows XP
 - Cómo trabajar con programas y archivos
 - Cómo personalizar mi escritorio

Centro de ayuda y soporte técnico de Windows

- 1 Haga clic en **Inicio** → **Ayuda y soporte técnico**.
- 2 Escriba una palabra o frase que describa el problema y, a continuación, haga clic en el icono de flecha.
- 3 Haga clic en el tema que describa el problema.
- 4 Siga las instrucciones que aparecen en pantalla.

¿Qué busca?

- Etiqueta de servicio y Express Service Code (Código de servicio rápido)
- Etiqueta con la clave del producto de Microsoft Windows

Aquí lo encontrará

Etiqueta de servicio y clave del producto de Microsoft® Windows®

Estas etiquetas se encuentran en su ordenador.

- Utilice la etiqueta de servicio para identificar el ordenador cuando utilice support.dell.com o se ponga en contacto con el servicio de asistencia.
- Escriba el código de servicio urgente para dirigir su llamada cuando se ponga en contacto con el servicio de asistencia.



-
- Soluciones: consejos y orientación para la solución de problemas, artículos de técnicos, cursos en línea y preguntas frecuentes.
 - Comunidad: debates en línea con otros clientes de Dell.
 - Actualizaciones: información de actualización para componentes como, por ejemplo, la memoria, la unidad de disco duro y el sistema operativo.
 - Atención al cliente: información de contacto, llamada de servicio y estado de los pedidos, garantía e información de reparación.
 - Servicio y asistencia: historial de asistencia y estado de las llamadas de servicio, contrato de servicio, conversaciones en línea con el personal de asistencia
 - Referencia: documentación del ordenador, detalles en la configuración de mi ordenador, especificaciones del producto y documentación técnica.
 - Descargas: controladores certificados, revisiones y actualizaciones de software.
 - Desktop System Software (DSS): si vuelve a instalar el sistema operativo en el ordenador, también debe volver a instalar la utilidad DSS. DSS detecta automáticamente el ordenador y el sistema operativo e instala las actualizaciones adecuadas para su configuración, y ofrece actualizaciones importantes del sistema operativo y asistencia para las unidades de disquete USB de 3,5 pulgadas de Dell™, los procesadores Intel®, las unidades ópticas y los dispositivos USB. La utilidad DSS es necesaria para el correcto funcionamiento de su ordenador Dell.

Sitio web Dell Support — support.dell.com

NOTA: Seleccione su región o segmento de negocios para ver el sitio de asistencia técnica apropiado.

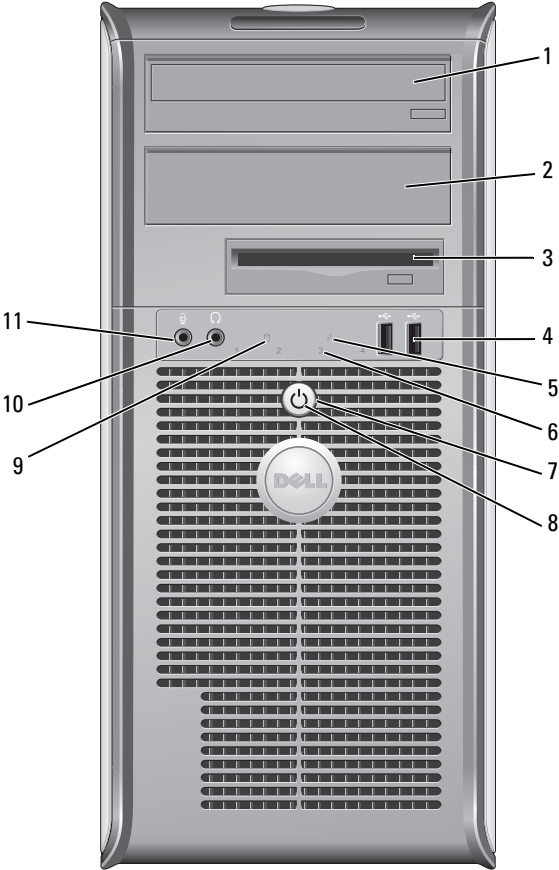
Para descargar Desktop System Software:



- 1 Vaya a support.dell.com, seleccione su zona o segmento empresarial e introduzca la etiqueta de servicio.
- 2 Seleccione **Drivers & Downloads** (Controladores y descargas) y, a continuación, haga clic en **Go** (Ir).
- 3 Haga clic en el sistema operativo y, a continuación, busque la palabra clave *Desktop System Software*.

NOTA: La interfaz para el usuario support.dell.com puede variar dependiendo de las selecciones que efectúe.

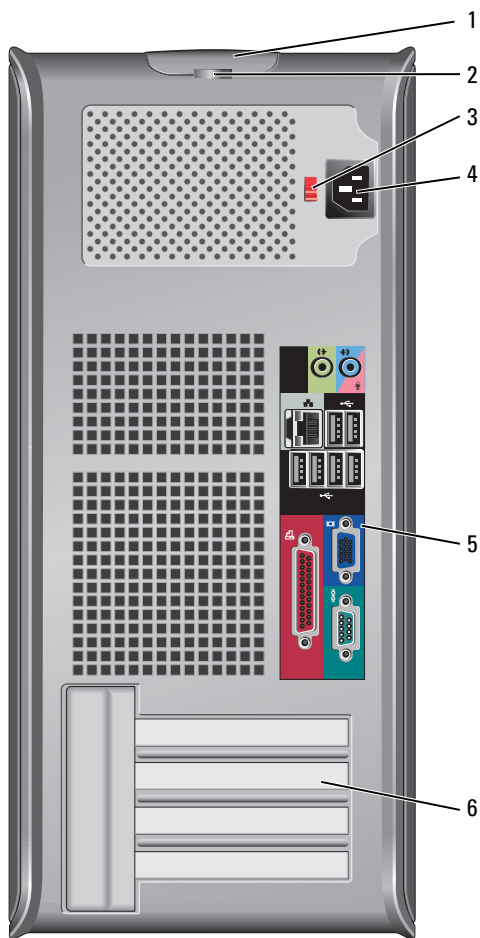
Vistas del sistema

Ordenador minitorre— Vista anterior



- | | | |
|----|---------------------------------------------------|----------------------------------------------------------------------------------------------------------------------------------------------------------------------------------------------------------------------------------------------------------------------------------------------------------------------------------------------------------------------------------------------------------------------------------------------------------------------------------------------------------------------------------------------------------------------------------------------------------------------------------------------------------------------------------------------------------------------------------------------------------------------------------------------------------------------------------------------------------------------------------------------------------------------------------------------------------------------------------------------------------------------------------------------------------------------|
| 1 | Compartimento para unidad de 5,25 pulgadas | Puede contener una unidad óptica. Inserte un CD o DVD (si lo admite) en esta unidad. |
| 2 | Compartimento para unidad de 5,25 pulgadas | Puede contener una unidad óptica. Inserte un CD o DVD (si lo admite) en esta unidad. |
| 3 | Compartimento para unidad de 3,5 pulgadas | Puede contener una unidad de disquete opcional o Media Card Reader. |
| 4 | Conectores USB 2.0 (2) | <p>Utilice los conectores USB de la parte frontal del ordenador para los dispositivos que conecte ocasionalmente, como palancas de mando o cámaras, o para dispositivos USB de arranque (consulte la <i>Guía del usuario</i> en línea para obtener más información sobre cómo arrancar desde un dispositivo USB).</p> <p>Se recomienda la utilización de los conectores USB posteriores para los dispositivos que suelen permanecer siempre conectados como, por ejemplo, impresoras y teclados.</p> |
| 5 | Indicador luminoso de LAN | Este indicador señala que se ha establecido una conexión LAN (red de área local). |
| 6 | Indicadores de diagnóstico | Utilice los indicadores para solucionar problemas del ordenador basados en el código de diagnóstico. Para obtener más información, consulte el apartado “Indicadores de diagnóstico” en la página 292. |
| 7 | Botón de alimentación | <p>Pulse el botón de encendido para encender el ordenador.</p> <p> AVISO: Para evitar la pérdida de datos, no apague el ordenador pulsando el botón de alimentación. En su lugar, apague el ordenador mediante el sistema operativo. Consulte el apartado “Antes de empezar” en la página 267 para obtener más información.</p> <p> AVISO: Si su sistema operativo tiene ACPI activado, al pulsar el botón de alimentación el ordenador se apagará mediante el sistema operativo.</p> |
| 8 | Indicador de alimentación | <p>El indicador de alimentación se ilumina y parpadea o permanece encendido para indicar modos diferentes:</p> <ul style="list-style-type: none"> • Sin luz: el ordenador está apagado. • Verde sólido: el ordenador se encuentra en un estado de funcionamiento normal. • Verde intermitente: el ordenador se encuentra en un estado de ahorro de energía. • Ámbar continuo o parpadeante: consulte la <i>Guía del usuario</i> en línea. <p>Para salir de un modo de ahorro de energía, pulse el botón de encendido o utilice el teclado o el ratón si está configurado como un dispositivo de activación en el Administrador de dispositivos de Windows. Para obtener más información sobre los modos de suspensión y sobre cómo salir de un estado de ahorro de energía, consulte la <i>Guía del usuario</i> en línea.</p> <p>Consulte el apartado “Indicadores luminosos del sistema” en la página 291 para ver una descripción de los códigos luminosos que pueden ayudarle a solucionar problemas del ordenador.</p> |
| 9 | Indicador de actividad de la unidad de disco duro | Este indicador parpadea cuando se accede a la unidad de disco duro. |
| 10 | Conector para auriculares | Utilice el conector de los auriculares para conectar los auriculares y la mayoría de los altavoces. |
| 11 | Conector de micrófono | Utilice el conector del micrófono para colocar el micrófono. |

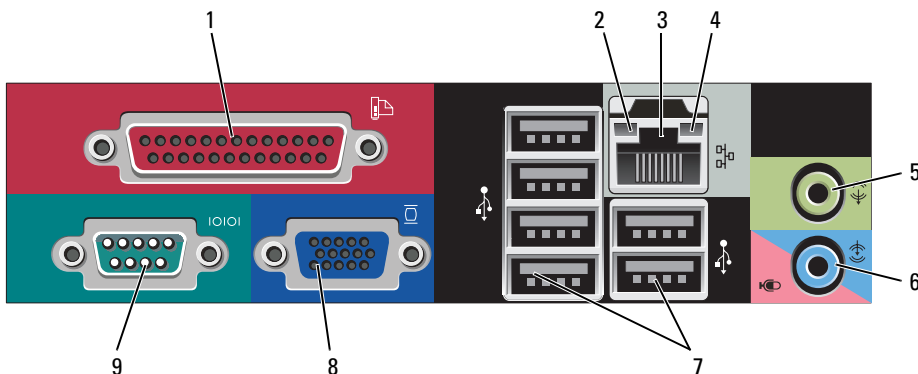
Ordenador minitorre— Vista posterior



- 1 Pestillo de liberación de la cubierta Este seguro le permite abrir la cubierta de su ordenador.
- 2 Anillo del candado Inserte un candado para bloquear la cubierta del ordenador.

- | | | |
|---|-------------------------------------|--------------------------------------------------------------------------------------------------------------------------------------------------------------------------------------------------------------------------------------------------------------------------------------------------------------------------------------------------------------------------------------------------------------------------------------------------------------------------------------------------------------------------------------------------------------------------------------------------------------------------------------------------------|
| 3 | Interruptor de selección de voltaje | <p>El ordenador está equipado con un interruptor de selección de voltaje manual. Con el fin de evitar dañar un ordenador que tenga un interruptor de selección de voltaje manual, coloque dicho interruptor en la posición que más se parezca a la de la potencia de corriente alterna disponible en su área.</p> <p>➡ AVISO: El selector de voltaje debe establecerse en la posición de 115 V aunque la alimentación de CA en Japón sea de 100 V.</p> <p>Asimismo, asegúrese de que la clasificación eléctrica del monitor y los dispositivos conectados es la correcta según la potencia de corriente alterna disponible en su localidad.</p> |
| 4 | Conector de alimentación | Inserte el cable de alimentación. |
| 5 | Conectores del panel posterior | Enchufe los dispositivos serie, USB y de otro tipo en los conectores apropiados (consulte el apartado “Ordenador minitorre — Conectores del panel posterior” en la página 253). |
| 6 | Ranuras para tarjetas | Acceda a los conectores de las tarjetas PCI y PCI Express instaladas. |

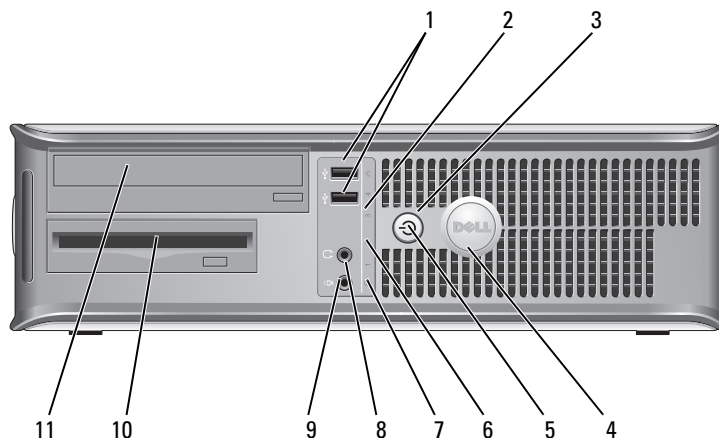
Ordenador minitorre — Conectores del panel posterior



- | | | |
|---|------------------------------------|--------------------------------------------------------------------------------------------------------------------------------------------------------------------------------------------------------------------------------------------------------------------------------------------------------------------------------------------------------------------------------------------------------------------|
| 1 | Conector paralelo | <p>Conecte un dispositivo paralelo, como una impresora, al conector paralelo. Si tiene una impresora USB, enchúfela a un conector USB.</p> <p>NOTA: El conector paralelo integrado se desactiva automáticamente si el ordenador detecta una tarjeta instalada que contiene un conector paralelo configurado en la misma dirección. Para obtener más información, consulte la Guía del usuario en línea.</p> |
| 2 | Indicador de integridad de vínculo | <ul style="list-style-type: none"> • Verde: existe una conexión correcta entre una red a 10 Mbps y el ordenador. • Naranja: existe una conexión correcta entre una red a 100 Mbps y el ordenador. • Amarillo: existe una conexión correcta entre una red a 1.000 Mbps (o 1 Gbps) y el ordenador. • Apagado: el ordenador no detecta una conexión física con la red. |

- | | | |
|---|-----------------------------------------|------------------------------------------------------------------------------------------------------------------------------------------------------------------------------------------------------------------------------------------------------------------------------------------------------------------------------------------------------------------------------------------------------------------------------------------------------------------------------------------------------------------------------------------------------------------------------------------------------------------------------------------------------------------------------------------------------------------------------------------------------------------|
| 3 | Conector del adaptador de red | <p>Para conectar el ordenador a una red o a un dispositivo de banda ancha, conecte un extremo de un cable de red a un enchufe de red o a su dispositivo de banda ancha. Conecte el otro extremo del cable de red al conector del adaptador de red, situado en el panel posterior del ordenador. Cuando el cable de red se haya conectado correctamente, oirá un clic.</p> <p>NOTA: No enchufe un cable de teléfono al conector de red.</p> <p>En los ordenadores con tarjeta de conexión de red, utilice el conector de la tarjeta.</p> <p>Se recomienda que utilice cableado y conectores de categoría 5 para su red. Si debe utilizar la categoría 3 para cables, fuerce la velocidad de la red a 10 Mbps para garantizar un funcionamiento fiable.</p> |
| 4 | Indicador de actividad de red | <p>Un indicador amarillo parpadea cuando el ordenador transmite o recibe datos de la red. Un gran volumen de tráfico en la red puede hacer que este indicador luminoso parezca estar continuamente encendido.</p> |
| 5 | Conector de salida de línea | <p>Utilice el conector verde de salida de línea para conectar la mayoría de los altavoces con amplificadores integrados.</p> |
| 6 | Conector del micrófono/línea de entrada | <p>Utilice el conector del micrófono/línea de entrada rosa para conectar un dispositivo de grabación/reproducción como un lector de cintas, reproductor de CD o vídeo; o un micrófono de PC para la entrada de voz o música en un programa de sonido o telefonía.</p> |
| 7 | Conectores USB 2.0 (6) | <p>Utilice los conectores USB posteriores para los dispositivos que suelen permanecer siempre conectados como, por ejemplo, impresoras y teclados.</p> |
| 8 | Conector de vídeo | <p>Conecte el cable del monitor compatible con VGA en el conector azul.</p> <p>NOTA: Si ha adquirido una tarjeta gráfica opcional, este conector tendrá una tapa. Conecte el monitor al conector de la tarjeta de gráficos. No quite la tapa.</p> <p>NOTA: Si utiliza una tarjeta gráfica compatible con monitores duales, utilice el cable en forma de "y" suministrado con el ordenador.</p> |
| 9 | Conector serie | <p>Conecte un dispositivo serie, como un dispositivo portátil, al puerto serie. Las designaciones predeterminadas son COM1 para el conector serie 1 y COM2 para el conector serie 2.</p> <p>Para obtener más información, consulte la <i>Guía del usuario</i> en línea.</p> |

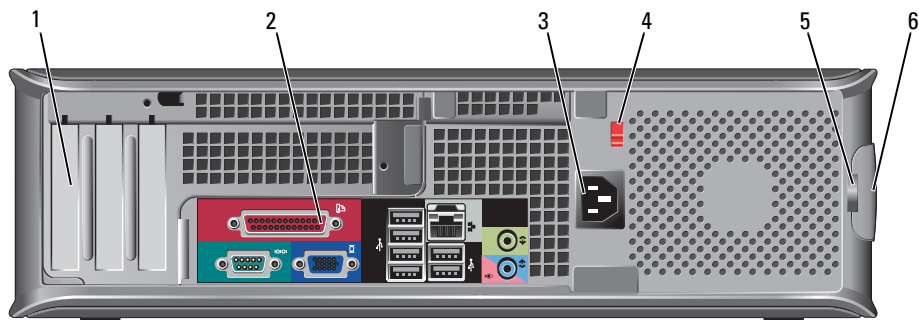
Ordenador de sobremesa— Vista anterior



- 1** Conectores USB 2.0 (2) Utilice los conectores USB de la parte frontal del ordenador para los dispositivos que conecte ocasionalmente, como palancas de mando o cámaras, o para dispositivos USB de arranque (consulte la *Guía del usuario* en línea para obtener más información sobre cómo arrancar desde un dispositivo USB).
Se recomienda la utilización de los conectores USB posteriores para los dispositivos que suelen permanecer siempre conectados como, por ejemplo, impresoras y teclados.
- 2** Indicador luminoso de LAN Este indicador señala que se ha establecido una conexión LAN (red de área local).
- 3** Botón de alimentación Pulse el botón de encendido para encender el ordenador.
➡ AVISO: Para evitar la pérdida de datos, no apague el ordenador pulsando el botón de alimentación. En su lugar, apague el ordenador mediante el sistema operativo. Consulte el apartado “Antes de empezar” en la página 267 para obtener más información.
➡ AVISO: Si su sistema operativo tiene ACPI activado, al pulsar el botón de alimentación el ordenador se apagará mediante el sistema operativo.
- 4** Placa de identificación de Dell Esta placa puede girarse de modo que esté orientada igual que su ordenador. Para girarla, coloque los dedos alrededor de la placa, presione con fuerza y gírela. También puede girarla utilizando la ranura que hay cerca de la parte inferior de la placa.

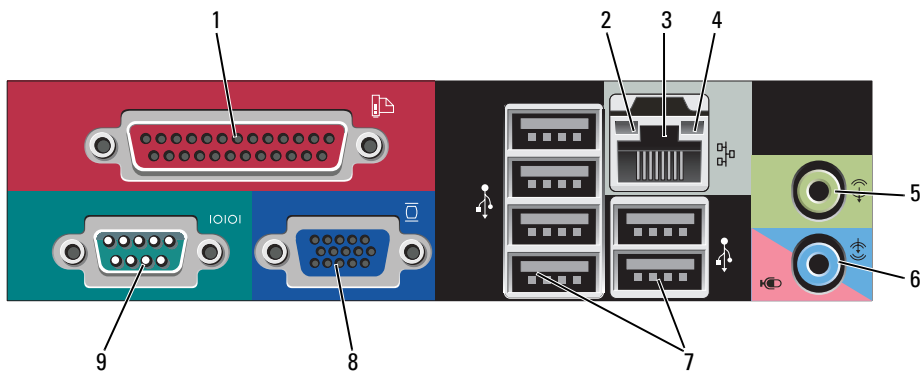
- | | | |
|----|---------------------------------------------------|------------------------------------------------------------------------------------------------------------------------------------------------------------------------------------------------------------------------------------------------------------------------------------------------------------------------------------------------------------------------------------------------------------------------------------------------------------------------------------------------------------------------------------------------------------------------------------------------------------------------------------------------------------------------------------------------------------------------------------------------------------------------------------------------------------------------------------------------------------------------------------------------------------------------------------------------------------------------------------------------------------------------------------------------------------------------|
| 5 | Indicador de alimentación | <p>El indicador de alimentación se ilumina y parpadea o permanece encendido para indicar estados diferentes:</p> <ul style="list-style-type: none"> • Sin luz: el ordenador está apagado. • Verde sólido: el ordenador se encuentra en un estado de funcionamiento normal. • Verde intermitente: el ordenador se encuentra en un estado de ahorro de energía. • Ámbar continuo o parpadeante: consulte la <i>Guía del usuario</i> en línea. <p>Para salir de un modo de ahorro de energía, pulse el botón de encendido o utilice el teclado o el ratón si está configurado como un dispositivo de activación en el Administrador de dispositivos de Windows. Para obtener más información sobre los modos de suspensión y sobre cómo salir de un estado de ahorro de energía, consulte la <i>Guía del usuario</i> en línea.</p> <p>Consulte el apartado “Indicadores luminosos del sistema” en la página 291 para ver una descripción de los códigos luminosos que pueden ayudarle a solucionar problemas del ordenador.</p> |
| 6 | Indicadores de diagnóstico | Utilice los indicadores para solucionar problemas del ordenador basados en el código de diagnóstico. Para obtener más información, consulte “Indicadores de diagnóstico” en la página 292. |
| 7 | Indicador de actividad de la unidad de disco duro | Este indicador parpadea cuando se accede a la unidad de disco duro. |
| 8 | Conector para auriculares | Utilice el conector de los auriculares para conectar los auriculares y la mayoría de los altavoces. |
| 9 | Conector de micrófono | Utilice el conector del micrófono para colocar el micrófono. |
| 10 | Compartimento para unidad de 3,5 pulgadas | Puede contener una unidad de disquete opcional o Media Card Reader. |
| 11 | Compartimento para unidad de 5,25 pulgadas | Puede contener una unidad óptica. Inserte un CD o DVD (si lo admite) en esta unidad. |

Ordenador de sobremesa— Vista posterior



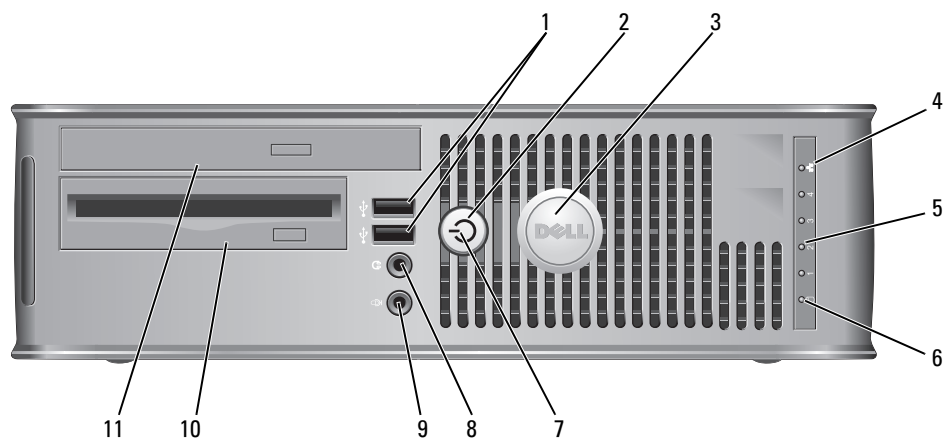
- | | | |
|---|---------------------------------------|---------------------------------------------------------------------------------------------------------------------------------------------------------------------------------------------------------------------------------------------------------------------------------------------------------------|
| 1 | Ranuras para tarjetas | Acceda a los conectores de las tarjetas PCI y PCI Express instaladas. |
| 2 | Conectores del panel posterior | Enchufe los dispositivos serie, USB y de otro tipo en los conectores apropiados (consulte el apartado “Ordenador de sobremesa — Conectores del panel posterior” en la página 257). |
| 3 | Conector de alimentación | Inserte el cable de alimentación. |
| 4 | Interruptor de selección de voltaje | El ordenador está equipado con un interruptor de selección de voltaje manual.
Con el fin de evitar dañar un ordenador que tenga un interruptor de selección de voltaje manual, coloque dicho interruptor en la posición que más se parezca a la de la potencia de corriente alterna disponible en su área: |
| | | ⏪ AVISO: El selector de voltaje debe establecerse en la posición de 115 V aunque la alimentación de CA en Japón sea de 100 V. |
| | | Asimismo, asegúrese de que la clasificación eléctrica del monitor y los dispositivos conectados es la correcta según la potencia de corriente alterna disponible en su localidad. |
| 5 | Anillo del candado | Inserte un candado para bloquear la cubierta del ordenador. |
| 6 | Pestillo de liberación de la cubierta | Le permite abrir la cubierta del ordenador. |

Ordenador de sobremesa — Conectores del panel posterior



- | | | |
|---|-----------------------------------------|-----------------------------------------------------------------------------------------------------------------------------------------------------------------------------------------------------------------------------------------------------------------------------------------------------------------------------------------------------------------------------------------------------------------------------------------------------------------------------------------------------------------------------------------------------------------------------------------------------------------------------------------------------------------------------------------------------------------------------------------------------------|
| 1 | Conector paralelo | <p>Conecte un dispositivo paralelo, como una impresora, al conector paralelo. Si tiene una impresora USB, enchúfela a un conector USB.</p> <p>NOTA: El conector paralelo integrado se desactiva automáticamente si el ordenador detecta una tarjeta instalada que contiene un conector paralelo configurado en la misma dirección. Para obtener más información, consulte la <i>Guía del usuario</i> en línea.</p> |
| 2 | Indicador de integridad de vínculo | <ul style="list-style-type: none"> • Verde: existe una conexión correcta entre una red a 10 Mbps y el ordenador. • Naranja: existe una conexión correcta entre una red a 100 Mbps y el ordenador. • Amarillo: existe una conexión correcta entre una red a 1.000 Mbps (o 1 Gbps) y el ordenador. • Apagado: el ordenador no detecta una conexión física con la red. |
| 3 | Conector del adaptador de red | <p>Para conectar el ordenador a una red o a un dispositivo de banda ancha, conecte un extremo de un cable de red a un enchufe de red o a su dispositivo de banda ancha. Conecte el otro extremo del cable de red al conector del adaptador de red, situado en el panel posterior del ordenador. Cuando el cable de red se haya conectado correctamente, oirá un clic.</p> <p>NOTA: No enchufe un cable de teléfono al conector de red.</p> <p>En los ordenadores con tarjeta de conexión de red, utilice el conector de la tarjeta. Se recomienda que utilice cableado y conectores de categoría 5 para su red. Si debe utilizar la categoría 3 para cables, fuerce la velocidad de la red a 10 Mbps para garantizar un funcionamiento fiable.</p> |
| 4 | Indicador de actividad de red | <p>Un indicador amarillo parpadea cuando el ordenador transmite o recibe datos de la red. Un gran volumen de tráfico en la red puede hacer que este indicador luminoso parezca estar continuamente encendido.</p> |
| 5 | Conector de salida de línea | <p>Utilice el conector verde de salida de línea para conectar la mayoría de los altavoces con amplificadores integrados.</p> |
| 6 | Conector del micrófono/línea de entrada | <p>Utilice el conector del micrófono/línea de entrada rosa para conectar un dispositivo de grabación/reproducción como un lector de cintas, reproductor de CD o vídeo; o un micrófono de PC para la entrada de voz o música en un programa de sonido o telefonía.</p> |
| 7 | Conectores USB 2.0 (6) | <p>Utilice los conectores USB posteriores para los dispositivos que suelen permanecer siempre conectados como, por ejemplo, impresoras y teclados.</p> |
| 8 | Conector de vídeo | <p>Conecte el cable del monitor compatible con VGA en el conector azul.</p> <p>NOTA: Si ha adquirido una tarjeta gráfica opcional, este conector tendrá una tapa. Conecte el monitor al conector de la tarjeta de gráficos. No quite la tapa.</p> <p>NOTA: Si utiliza una tarjeta gráfica compatible con monitores duales, utilice el cable en forma de "y" suministrado con el ordenador.</p> |
| 9 | Conector serie | <p>Conecte un dispositivo serie, como un dispositivo portátil, al puerto serie. Las designaciones predeterminadas son COM1 para el conector serie 1 y COM2 para el conector serie 2.</p> <p>Para obtener más información, consulte la <i>Guía del usuario</i> en línea.</p> |

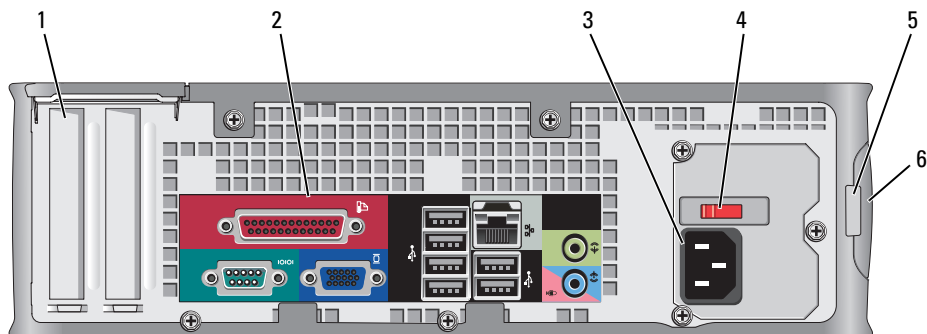
Ordenador de formato reducido — Vista posterior



- 1** Conectores USB 2.0 (2) Utilice los conectores USB de la parte frontal del ordenador para los dispositivos que conecte ocasionalmente, como palancas de mando o cámaras, o para dispositivos USB de arranque (consulte la *Guía del usuario* en línea para obtener más información sobre cómo arrancar desde un dispositivo USB).
Se recomienda la utilización de los conectores USB posteriores para los dispositivos que suelen permanecer siempre conectados como, por ejemplo, impresoras y teclados.
- 2** Botón de alimentación Púlselo para encender el ordenador.
⚠ AVISO: Para evitar la pérdida de datos, no apague el ordenador pulsando el botón de alimentación. En su lugar, apague el ordenador mediante el sistema operativo. Consulte el apartado “Antes de empezar” en la página 267 para obtener más información.
⚠ AVISO: Si su sistema operativo tiene ACPI activado, al pulsar el botón de alimentación el ordenador se apagará mediante el sistema operativo.
- 3** Placa de identificación de Dell Puede girarse de modo que esté orientada igual que su ordenador. Para girarla, coloque los dedos alrededor de la placa, presione con fuerza y gírela. También puede girarla utilizando la ranura que hay cerca de la parte inferior de la placa.
- 4** Indicador luminoso de LAN Indica que se ha establecido una conexión LAN (red de área local).
- 5** Indicadores de diagnóstico Utilice los indicadores para solucionar problemas del ordenador basados en el código de diagnóstico. Para obtener más información, consulte el apartado “Indicadores de diagnóstico” en la página 292.
- 6** Indicador luminoso de actividad de la unidad de disco duro Este indicador parpadea cuando se accede a la unidad de disco duro.

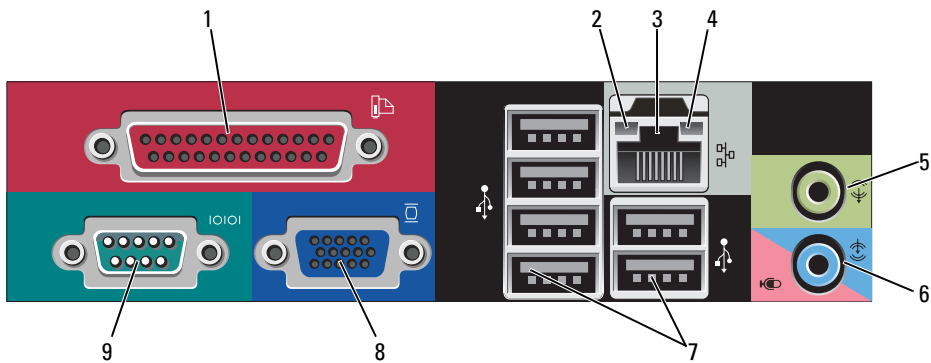
- | | | |
|----|--------------------------------------------|-------------------------------------------------------------------------------------------------------------------------------------------------------------------------------------------------------------------------------------------------------------------------------------------------------------------------------------------------------------------------------------------------------------------------------------------------------------------------------------------------------------------------------------------------------------------------------------------------------------------------------------------------------------------------------------------------------------------------------------------------------------------------------------------------------------------------------------------------------------------------------------------------------------------------------------------------------------------------------------------------------------------------------------------------------------------------|
| 7 | Indicador de alimentación | <p>El indicador de alimentación se ilumina y parpadea o permanece encendido para indicar estados diferentes:</p> <ul style="list-style-type: none"> • Sin luz: el ordenador está apagado. • Verde sólido: el ordenador se encuentra en un estado de funcionamiento normal. • Verde parpadeante: el ordenador se encuentra en un modo de ahorro de energía. • Ámbar continuo o parpadeante: consulte la <i>Guía del usuario</i> en línea. <p>Para salir de un modo de ahorro de energía, pulse el botón de encendido o utilice el teclado o el ratón si está configurado como un dispositivo de activación en el Administrador de dispositivos de Windows. Para obtener más información sobre los modos de suspensión y sobre cómo salir de un estado de ahorro de energía, consulte la <i>Guía del usuario</i> en línea.</p> <p>Consulte el apartado “Indicadores luminosos del sistema” en la página 291 para obtener una descripción de los códigos luminosos que pueden ayudarle a solucionar problemas del ordenador.</p> |
| 8 | Conector para auriculares | Utilice el conector de los auriculares para conectar los auriculares y la mayoría de los altavoces. |
| 9 | Conector de micrófono | Utilice el conector del micrófono para colocar el micrófono. |
| 10 | Compartimento para unidad de 3,5 pulgadas | Puede contener una unidad de disquete opcional o Media Card Reader. |
| 11 | Compartimento para unidad de 5,25 pulgadas | Puede contener una unidad óptica. Inserte un CD o DVD (si lo admite) en esta unidad. |

Ordenador de formato reducido — Vista posterior



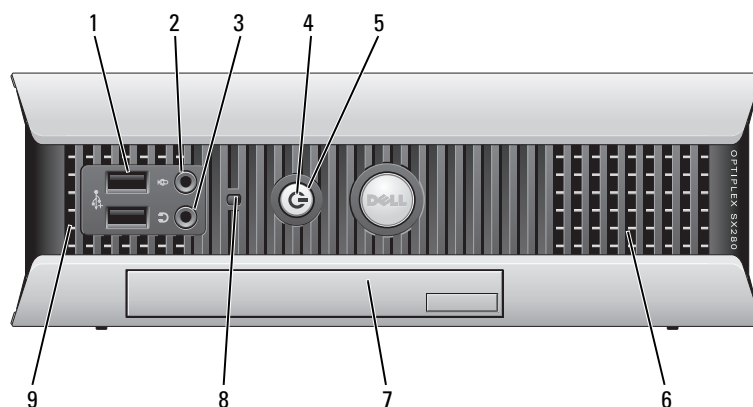
- | | | |
|---|---------------------------------------|--------------------------------------------------------------------------------------------------------------------------------------------------------------------------------------------------------------------------------------------------------------------------------------------------------------------------------------|
| 1 | Ranuras para tarjetas | Acceda a los conectores de las tarjetas PCI y PCI Express instaladas. |
| 2 | Conectores del panel posterior | Enchufe los dispositivos serie, USB y de otro tipo en los conectores apropiados (consulte el apartado “Ordenador de formato reducido — Conectores del panel posterior” en la página 261). |
| 3 | Conector de alimentación | Inserte el cable de alimentación. |
| 4 | Interruptor de selección de voltaje | El ordenador está equipado con un interruptor de selección de voltaje manual.
Con el fin de evitar dañar un ordenador que tenga un interruptor de selección de voltaje manual, coloque dicho interruptor en la posición que más se parezca a la de la potencia de corriente alterna disponible en su área: |
| | | <p>➔ AVISO: El selector de voltaje debe establecerse en la posición de 115 V aunque la alimentación de CA en Japón sea de 100 V.</p> <p>Asimismo, asegúrese de que la clasificación eléctrica del monitor y los dispositivos conectados es la correcta según la potencia de corriente alterna disponible en su localidad.</p> |
| 5 | Anillo del candado | Inserte un candado para bloquear la cubierta del ordenador. |
| 6 | Pestillo de liberación de la cubierta | Le permite abrir la cubierta del ordenador. |

Ordenador de formato reducido — Conectores del panel posterior



- | | | |
|---|-----------------------------------------|-----------------------------------------------------------------------------------------------------------------------------------------------------------------------------------------------------------------------------------------------------------------------------------------------------------------------------------------------------------------------------------------------------------------------------------------------------------------------------------------------------------------------------------------------------------------------------------------------------------------------------------------------------------------------------------------------------------------------------------------------------------|
| 1 | Conector paralelo | <p>Conecte un dispositivo paralelo, como una impresora, al conector paralelo. Si tiene una impresora USB, enchúfela a un conector USB.</p> <p>NOTA: El conector paralelo integrado se desactiva automáticamente si el ordenador detecta una tarjeta instalada que contiene un conector paralelo configurado en la misma dirección. Para obtener más información, consulte la <i>Guía del usuario</i> en línea.</p> |
| 2 | Indicador de integridad de vínculo | <ul style="list-style-type: none"> • Verde: existe una conexión correcta entre una red a 10 Mbps y el ordenador. • Naranja: existe una conexión correcta entre una red a 100 Mbps y el ordenador. • Amarillo: existe una conexión correcta entre una red a 1.000 Mbps (o 1 Gbps) y el ordenador. • Apagado: el ordenador no detecta una conexión física con la red. |
| 3 | Conector del adaptador de red | <p>Para conectar el ordenador a una red o a un dispositivo de banda ancha, conecte un extremo de un cable de red a un enchufe de red o a su dispositivo de banda ancha. Conecte el otro extremo del cable de red al conector del adaptador de red, situado en el panel posterior del ordenador. Cuando el cable de red se haya conectado correctamente, oirá un clic.</p> <p>NOTA: No enchufe un cable de teléfono al conector de red.</p> <p>En los ordenadores con tarjeta de conexión de red, utilice el conector de la tarjeta. Se recomienda que utilice cableado y conectores de categoría 5 para su red. Si debe utilizar la categoría 3 para cables, fuerce la velocidad de la red a 10 Mbps para garantizar un funcionamiento fiable.</p> |
| 4 | Indicador de actividad de red | <p>Un indicador amarillo parpadea cuando el ordenador transmite o recibe datos de la red. Un gran volumen de tráfico en la red puede hacer que este indicador luminoso parezca estar continuamente encendido.</p> |
| 5 | Conector de salida de línea | <p>Utilice el conector de salida de línea verde (disponible en ordenadores con sonido integrado) para conectar la mayoría de los altavoces con amplificadores integrados.</p> |
| 6 | Conector del micrófono/línea de entrada | <p>Utilice el conector del micrófono/línea de entrada rosa (disponible en ordenadores con sonido integrado) para conectar un dispositivo de grabación/reproducción como un lector de cintas, reproductor de CD o vídeo; o un micrófono de PC para la entrada de voz o música en un programa de sonido o telefonía.</p> |
| 7 | Conectores USB 2.0 (6) | <p>Utilice los conectores USB posteriores para los dispositivos que suelen permanecer siempre conectados como, por ejemplo, impresoras y teclados.</p> |
| 8 | Conector de vídeo | <p>Conecte el cable del monitor compatible con VGA en el conector azul.</p> <p>NOTA: Si ha adquirido una tarjeta gráfica opcional, este conector tendrá una tapa. Conecte el monitor al conector de la tarjeta de gráficos. No quite la tapa.</p> <p>NOTA: Si utiliza una tarjeta gráfica compatible con monitores duales, utilice el cable en forma de "y" suministrado con el ordenador.</p> |
| 9 | Conector serie | <p>Conecte un dispositivo serie, como un dispositivo portátil, al puerto serie. Las designaciones predeterminadas son COM1 para el conector serie 1 y COM2 para el conector serie 2.</p> <p>Para obtener más información, consulte la <i>Guía del usuario</i> en línea.</p> |

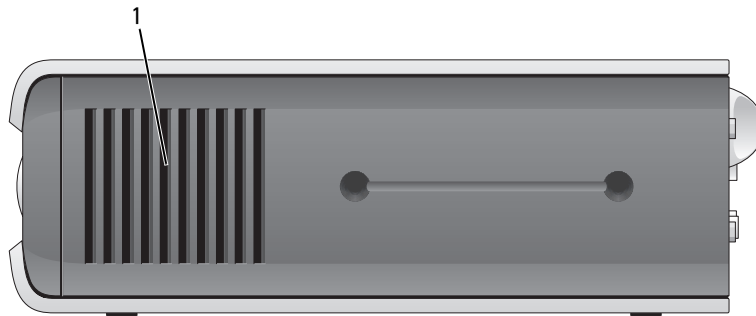
Ordenador de formato ultrareducido — Vista anterior



- 1 Conectores USB (2)** Utilice los conectores USB de la parte frontal del ordenador para los dispositivos que conecte ocasionalmente, como palancas de mando o cámaras, o para dispositivos USB de arranque (consulte la *Guía del usuario* en línea para obtener más información sobre cómo arrancar desde un dispositivo USB).
Se recomienda la utilización de los conectores USB posteriores para los dispositivos que suelen permanecer siempre conectados como, por ejemplo, impresoras y teclados.
- 2 Conector para auriculares** Utilice el conector de los auriculares para conectar los auriculares y la mayoría de los altavoces.
- 3 Conector de micrófono** Utilice el conector del micrófono para colocar el micrófono.
- 4 Indicador de alimentación** El indicador de alimentación se ilumina y parpadea o permanece encendido para indicar estados diferentes:
 - Apagado: el ordenador está apagado.
 - Verde sólido: el ordenador se encuentra en un estado de funcionamiento normal.
 - Verde intermitente: el ordenador se encuentra en un estado de ahorro de energía.
 - Amarillo continuo o parpadeante: consulte la *Guía del usuario* en línea.Para salir de un modo de ahorro de energía, pulse el botón de encendido o utilice el teclado o el ratón si está configurado como un dispositivo de activación en el Administrador de dispositivos de Windows. Para obtener más información sobre los modos de suspensión y sobre cómo salir de un estado de ahorro de energía, consulte la *Guía del usuario* en línea.
Consulte el apartado “Indicadores luminosos del sistema” en la página 291 para ver una descripción de los códigos luminosos que pueden ayudarle a solucionar problemas del ordenador.

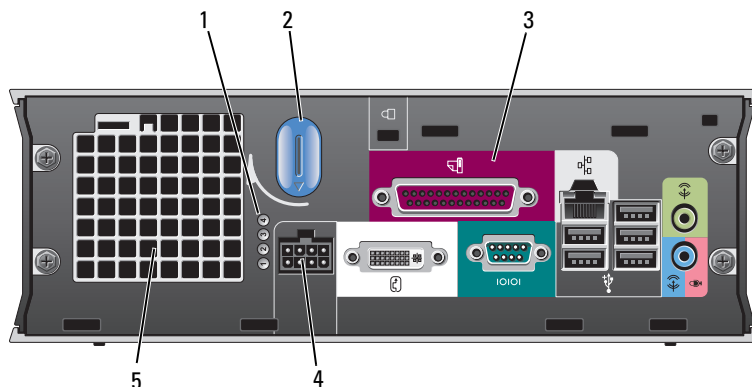
- 5 Botón de alimentación Pulse el botón de encendido para encender el ordenador.
- 6 Rejillas de ventilación Las rejillas de ventilación evitan que el ordenador se caliente en exceso. Para garantizar una ventilación adecuada, no bloquee estas rejillas de ventilación.
- 7 Compartimento para módulos Instale una unidad óptica de módulo D, una segunda unidad de disco duro o una unidad de disquete en el compartimento para módulos.
- 8 Luz de acceso a la unidad de disco duro El indicador de acceso a la unidad de disco duro se enciende cuando el ordenador lee o escribe datos en la unidad de disco duro. Es posible que la luz esté encendida cuando funcionen los dispositivos de su reproductor de CD.
- 9 Rejillas de ventilación Las rejillas de ventilación evitan que el ordenador se caliente en exceso. Para garantizar una ventilación adecuada, no bloquee estas rejillas de ventilación.

Ordenador de formato ultrareducido — Vista lateral



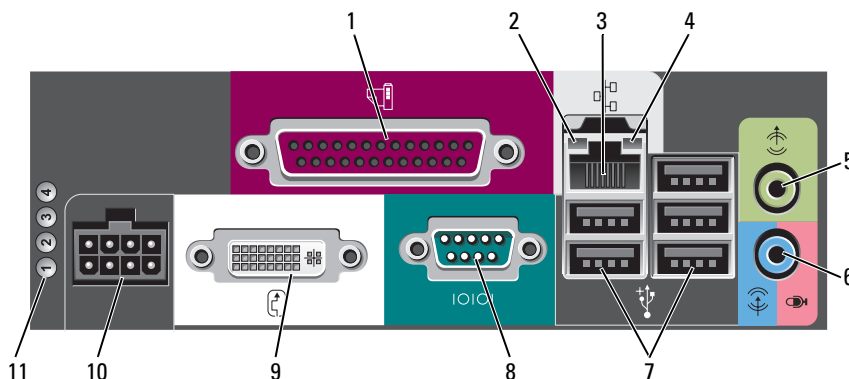
- 1 Rejillas de ventilación Las rejillas de ventilación, situadas en los laterales del ordenadores, evitan que el ordenador se caliente en exceso. Para garantizar una ventilación adecuada, no bloquee estas rejillas de ventilación.

Ordenador de formato ultrareducido — Vista posterior



- | | | |
|---|--------------------------------------------------|--------------------------------------------------------------------------------------------------------------------------------------------------------------------------------|
| 1 | Indicadores de diagnóstico | Consulte el apartado “Indicadores de diagnóstico” en la página 292 para ver una descripción de los códigos luminosos que pueden ayudarle a solucionar problemas del ordenador. |
| 2 | Botón de liberación de la cubierta del ordenador | Gire este botón en el sentido de las manecillas del reloj para retirar la cubierta. |
| 3 | Conectores del panel posterior | Los conectores del ordenador (consulte el apartado “Ordenador de formato ultrareducido — Conectores del panel posterior” en la página 265). |
| 4 | Conector de alimentación | Inserte el cable de alimentación. |
| 5 | Rejillas de ventilación | Las rejillas de ventilación evitan que el ordenador se caliente en exceso. Para garantizar una ventilación adecuada, no bloquee estas rejillas de ventilación. |

Ordenador de formato ultrareducido — Conectores del panel posterior



- | | | |
|----|-----------------------------------------|-----------------------------------------------------------------------------------------------------------------------------------------------------------------------------------------------------------------------------------------------------------------------------------------------------------------------------------------------------------------------------------------------------------------------------------------------------------------------------------------------------------------------------------------------------------------------------------------------------------------------------------------------------------------------------------------------------------------------------------------------------------|
| 1 | Conector paralelo | Conecte un dispositivo paralelo, como una impresora, al conector paralelo. Si tiene una impresora USB, enchúfela a un conector USB. |
| 2 | Indicador de integridad de vínculo | <ul style="list-style-type: none"> • Verde: existe una conexión correcta entre una red a 10 Mbps y el ordenador. • Naranja: existe una conexión correcta entre una red a 100 Mbps y el ordenador. • Amarillo: existe una conexión correcta entre una red a 1.000 Mbps (o 1 Gbps) y el ordenador. • Desactivado: el ordenador no detecta ninguna conexión física con la red o la controladora de red está apagada en la configuración del sistema. |
| 3 | Adaptador de red | <p>Para conectar el ordenador a una red o a un dispositivo de banda ancha, conecte un extremo de un cable de red a un enchufe de red o a su dispositivo de banda ancha. Conecte el otro extremo del cable de red al conector del adaptador de red, situado en el panel posterior del ordenador. Cuando el cable de red se haya conectado correctamente, oirá un clic.</p> <p>NOTA: No enchufe un cable de teléfono al conector de red.</p> <p>En los ordenadores con tarjeta de conexión de red, utilice el conector de la tarjeta. Se recomienda que utilice cableado y conectores de categoría 5 para su red. Si debe utilizar la categoría 3 para cables, fuerce la velocidad de la red a 10 Mbps para garantizar un funcionamiento fiable.</p> |
| 4 | Indicador de actividad de red | El indicador ámbar parpadea cuando el ordenador transmite o recibe datos de la red. Un gran volumen de tráfico en la red puede hacer que este indicador luminoso parezca estar continuamente encendido. |
| 5 | Conector de salida de línea | Utilice el conector verde de salida de línea para enchufar unos altavoces con amplificador. |
| 6 | Conector del micrófono/línea de entrada | Utilice el conector del micrófono/línea de entrada rosa para conectar un dispositivo de grabación/reproducción como un lector de cintas, reproductor de CD o vídeo; o un micrófono de PC para la entrada de voz o música en un programa de sonido o telefonía. |
| 7 | Conectores USB (5) | Utilice los conectores USB posteriores para los dispositivos que suelen permanecer siempre conectados como, por ejemplo, impresoras y teclados. |
| 8 | Conector serie | Conecte un dispositivo serie, como un dispositivo de bolsillo, al conector serie. |
| 9 | Conector de vídeo | <p>Si su monitores compatible con DVI, conecte el cable del monitor en el conector blanco del panel posterior.</p> <p>Si tiene un monitor VGA, consulte el apartado relativo a la conexión de monitores VGA en la <i>Guía del usuario</i> del ordenador.</p> |
| 10 | Conector de alimentación | El conector del adaptador de alimentación. |
| 11 | Indicadores de diagnóstico | Consulte el apartado “Indicadores de diagnóstico” en la página 292 para ver una descripción de los códigos luminosos que pueden ayudarle a solucionar problemas del ordenador. |

Cómo quitar la cubierta del ordenador



PRECAUCIÓN: Antes de comenzar cualquiera de los procedimientos de esta sección, siga las instrucciones de seguridad que se encuentran en la *Guía de información del producto*.



PRECAUCIÓN: Para protegerse de las descargas eléctricas, desconecte el ordenador de la toma de corriente eléctrica antes de retirar la cubierta.

Antes de empezar

- ➔ **AVISO:** Para evitar la pérdida de datos, guarde y cierre todos los archivos abiertos y salga de todos los programas abiertos antes de apagar el ordenador.
- 1 Apague el sistema operativo:
 - a Guarde y cierre los archivos abiertos, salga de todos los programas, haga clic en el botón **Inicio** y luego en **Apagar ordenador**.
 - b En la ventana **Apagar ordenador**, haga clic en **Apagar**.
El ordenador se apaga una vez finalizado el proceso de cierre del sistema operativo.
- 2 Asegúrese de que el ordenador y los dispositivos conectados estén apagados. Si el ordenador y los dispositivos conectados no se apagaron automáticamente cuando apagó el sistema operativo, apáguelos ahora.

Antes de trabajar en el interior de su ordenador

Aplique las siguientes pautas de seguridad para proteger el ordenador contra posibles daños y garantizar su propia seguridad personal.

- ⚠ **PRECAUCIÓN:** Antes de comenzar cualquiera de los procedimientos de esta sección, siga las instrucciones de seguridad que se encuentran en la *Guía de información del producto*.
- ⚠ **PRECAUCIÓN:** Manipule los componentes y las tarjetas con precaución. No toque los componentes o contactos ubicados en una tarjeta. Sostenga las tarjetas por sus bordes o por su soporte metálico de montaje. Sujete un componente, como un procesador, por sus bordes y no por sus patas.
- ➔ **AVISO:** Sólo un técnico certificado debe realizar reparaciones en el ordenador. La garantía no cubre los daños por reparaciones no autorizadas por Dell.
- ➔ **AVISO:** Cuando desconecte un cable, tire de su conector o de su lazo liberador de tensión, y no del cable mismo. Algunos cables cuentan con un conector que tiene lengüetas de sujeción; si está desconectando un cable de este tipo, presione las lengüetas de sujeción antes de desconectar el cable. Cuando separe conectores, manténgalos alineados para evitar doblar las patas de conexión. Además, antes de conectar un cable, asegúrese de que los dos conectores estén orientados y alineados correctamente.

Para evitar daños en el ordenador, realice los pasos siguientes antes de comenzar a trabajar dentro del ordenador.

- 1 Apague el ordenador.
 - ➔ **AVISO:** Para desconectar un cable de red, desconecte primero el cable del ordenador y, a continuación, del enchufe de red de la pared.
 - 2 Desconecte del ordenador las líneas de teléfono o de telecomunicaciones.
 - 3 Desconecte el ordenador y todos los dispositivos conectados de las tomas de alimentación eléctrica correspondientes y, a continuación, pulse el botón de encendido para conectar a tierra la placa base.
 - 4 Si fuera aplicable, retire la base del ordenador (para obtener más instrucciones, consulte la documentación que se incluye con la base).
- ⚠ **PRECAUCIÓN:** Para protegerse de las descargas eléctricas, desconecte el ordenador de la toma de corriente eléctrica antes de retirar la cubierta.

5 Retire la cubierta del sistema.

- Retire la cubierta del ordenador minitorre (consulte el apartado “Ordenador de minitorre” en la página 268).
- Retire la cubierta del ordenador de sobremesa (consulte el apartado “Ordenador de sobremesa” en la página 269).
- Retire la cubierta del ordenador de formato reducido (consulte el apartado “Ordenador de formato reducido” en la página 270).
- Retire la cubierta del ordenador de formato ultrareducido (consulte el apartado “Ordenador de formato ultrareducido” en la página 272).



AVISO: Antes de tocar algo en el interior del ordenador, conéctese a tierra tocando una superficie metálica sin pintura como, por ejemplo, la parte posterior del ordenador. Mientras trabaja, toque periódicamente una superficie metálica sin pintar para disipar la electricidad estática y evitar que los componentes internos resulten dañados.

Ordenador de minitorre



PRECAUCIÓN: Antes de comenzar cualquiera de los procedimientos de esta sección, siga las instrucciones de seguridad que se encuentran en la *Guía de información del producto*.

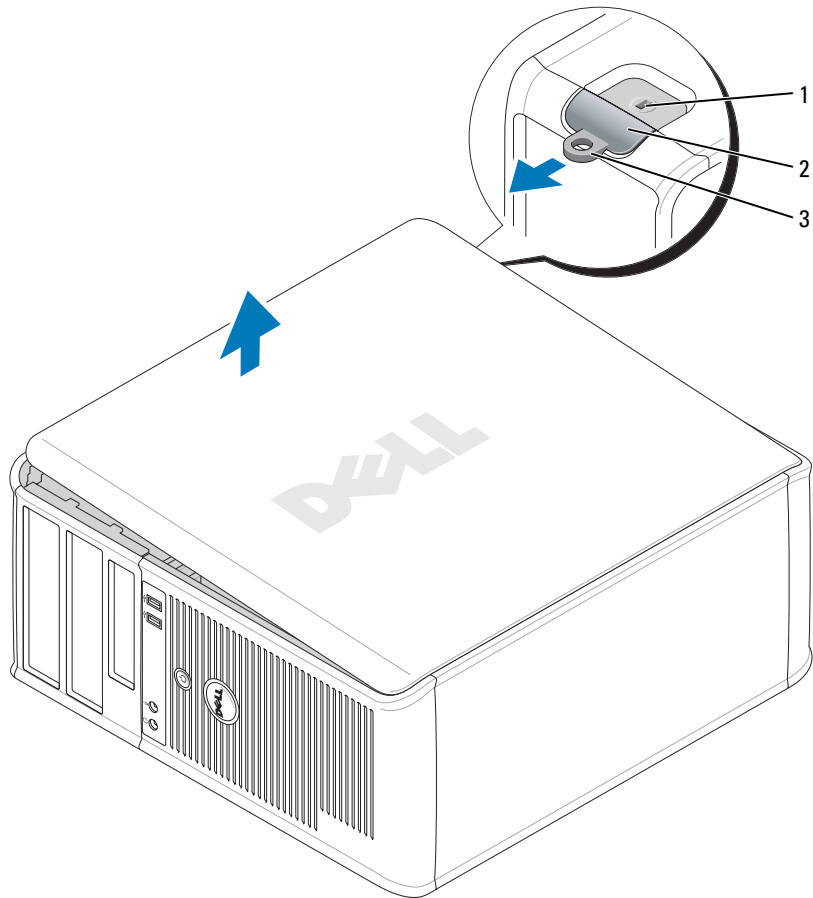


PRECAUCIÓN: Para protegerse de las descargas eléctricas, desconecte el ordenador de la toma de alimentación eléctrica antes de retirar la cubierta.

- 1 Siga los procedimientos que se indican en el apartado “Antes de empezar” en la página 267.
- 2 Apoye el ordenador sobre un lado como se muestra en la figura.
- 3 Localice el seguro de liberación de la cubierta que se muestra en la imagen. A continuación, deslice el seguro de liberación hacia atrás al tiempo que levanta la cubierta.
- 4 Sujete los laterales de la cubierta del ordenador y gire la cubierta hacia arriba hasta que salga, utilizando las lengüetas de la bisagra para hacer palanca.
- 5 Retire la cubierta de las lengüetas de la bisagra y colóquela sobre una superficie suave y no abrasiva.



PRECAUCIÓN: Los disipadores de calor de la tarjeta gráfica pueden calentarse mucho durante el funcionamiento normal. Asegúrese de que el disipador de calor de la tarjeta gráfica haya tenido tiempo suficiente para enfriarse antes de tocarlo.



1 Ranura para cable de seguridad 2 Pestillo de liberación de la cubierta 3 Anillo del candado

Ordenador de sobremesa

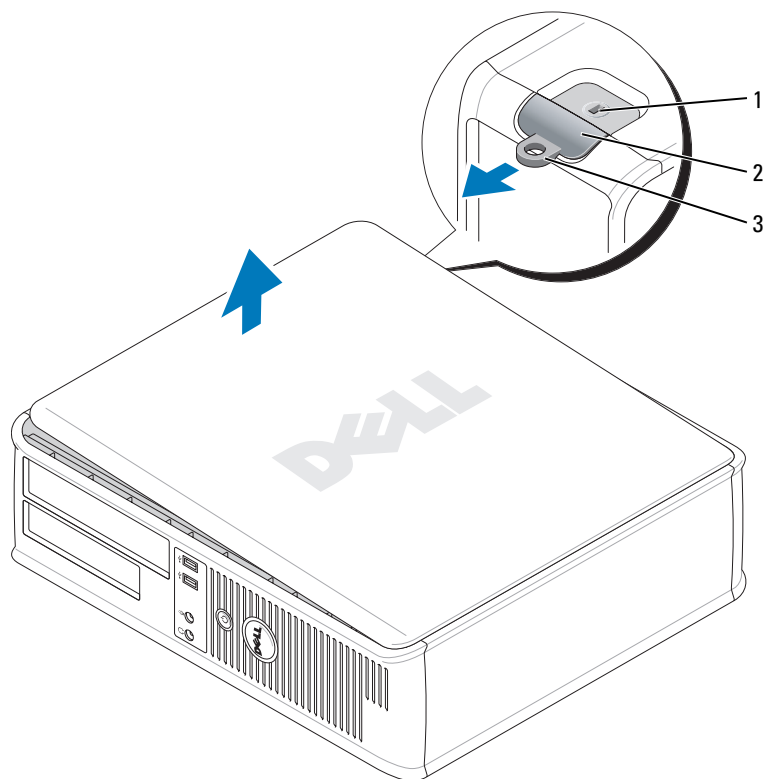
⚠ PRECAUCIÓN: Antes de comenzar cualquiera de los procedimientos de esta sección, siga las instrucciones de seguridad que se encuentran en la *Guía de información del producto*.

⚠ PRECAUCIÓN: Para protegerse de las descargas eléctricas, desconecte el ordenador de la toma de alimentación eléctrica antes de retirar la cubierta.

- 1 Siga los procedimientos que se indican en el apartado “Antes de empezar” en la página 267.
- 2 Si ha instalado un candado a través del anillo del candado en el panel posterior, retire el candado.

- 3 Localice el seguro de liberación de la cubierta que se muestra en la imagen. A continuación, deslice el seguro de liberación hacia atrás al tiempo que levanta la cubierta.
- 4 Sujete los laterales de la cubierta del ordenador y gire la cubierta hacia arriba hasta que salga, utilizando las lengüetas de la bisagra para hacer palanca.
- 5 Retire la cubierta de las lengüetas de la bisagra y colóquela sobre una superficie suave y no abrasiva.

⚠ PRECAUCIÓN: Los disipadores de calor de la tarjeta gráfica pueden calentarse mucho durante el funcionamiento normal. Asegúrese de que el disipador de calor de la tarjeta gráfica haya tenido tiempo suficiente para enfriarse antes de tocarlo.



1 Ranura para cable de seguridad 2 Pestillo de liberación de la cubierta 3 Anillo del candado

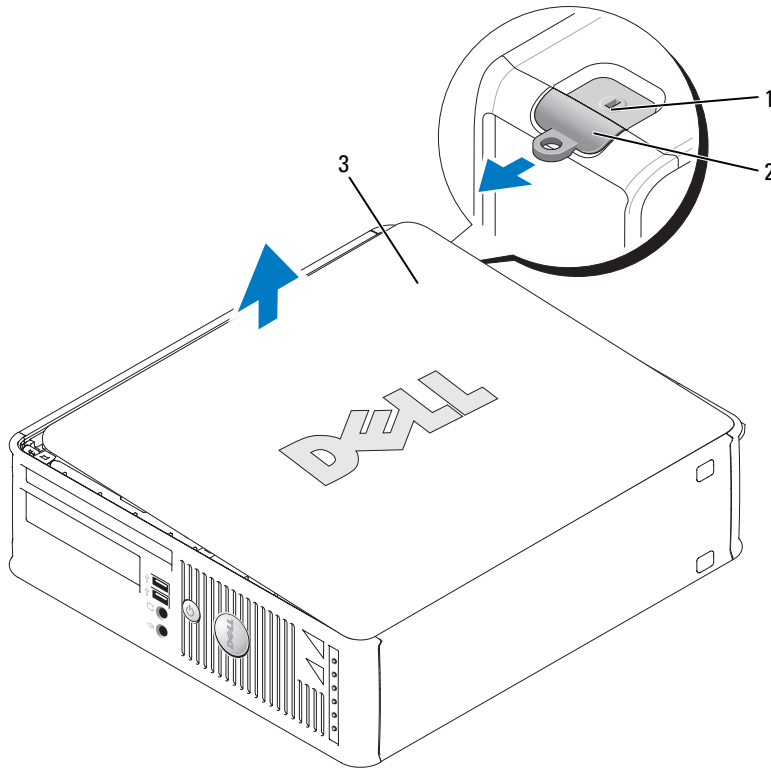
Ordenador de formato reducido

⚠ PRECAUCIÓN: Antes de comenzar cualquiera de los procedimientos de esta sección, siga las instrucciones de seguridad que se encuentran en la *Guía de información del producto*.

⚠ PRECAUCIÓN: Para protegerse de las descargas eléctricas, desconecte el ordenador de la toma de alimentación eléctrica antes de retirar la cubierta.

- 1 Siga los procedimientos que se indican en el apartado “Antes de empezar” en la página 267.
- 2 Si ha instalado un candado a través del anillo del candado en el panel posterior, retire el candado.
- 3 Localice el seguro de liberación de la cubierta que se muestra en la imagen. A continuación, deslice el seguro de liberación hacia atrás al tiempo que levanta la cubierta.
- 4 Sujete los laterales de la cubierta del ordenador y gire la cubierta hasta que salga, utilizando las bisagras inferiores para hacer palanca.
- 5 Retire la cubierta de las lengüetas de la bisagra y colóquela sobre una superficie suave y no abrasiva.

⚠ PRECAUCIÓN: Los disipadores de calor de la tarjeta gráfica pueden calentarse mucho durante el funcionamiento normal. Asegúrese de que el disipador de calor de la tarjeta gráfica haya tenido tiempo suficiente para enfriarse antes de tocarlo.



- 1 Ranura para cable de seguridad 2 Pestillo de liberación de la cubierta 3 Cubierta del ordenador

Ordenador de formato ultrareducido

⚠ PRECAUCIÓN: Antes de comenzar cualquiera de los procedimientos de esta sección, siga las instrucciones de seguridad que se encuentran en la *Guía de información del producto*.

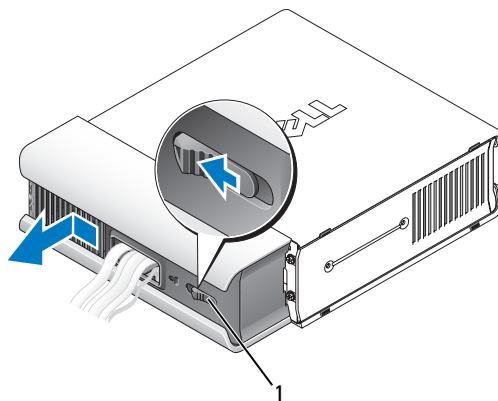
⚠ PRECAUCIÓN: Para protegerse de las descargas eléctricas, desconecte el ordenador de la toma de alimentación eléctrica antes de retirar la cubierta.

1 Siga los procedimientos que se indican en el apartado “Antes de empezar” en la página 267.

➡ AVISO: Conéctese a tierra tocando una superficie metálica sin pintar antes de tocar cualquier componente interno del ordenador. Mientras trabaja, toque periódicamente una superficie metálica sin pintar para disipar la electricidad estática y evitar que los componentes internos resulten dañados.

2 Si procede, retire la cubierta del cable.

a En caso de que haya instalado un dispositivo de seguridad en la ranura del cable de seguridad, extráigalo.



1 Botón de liberación

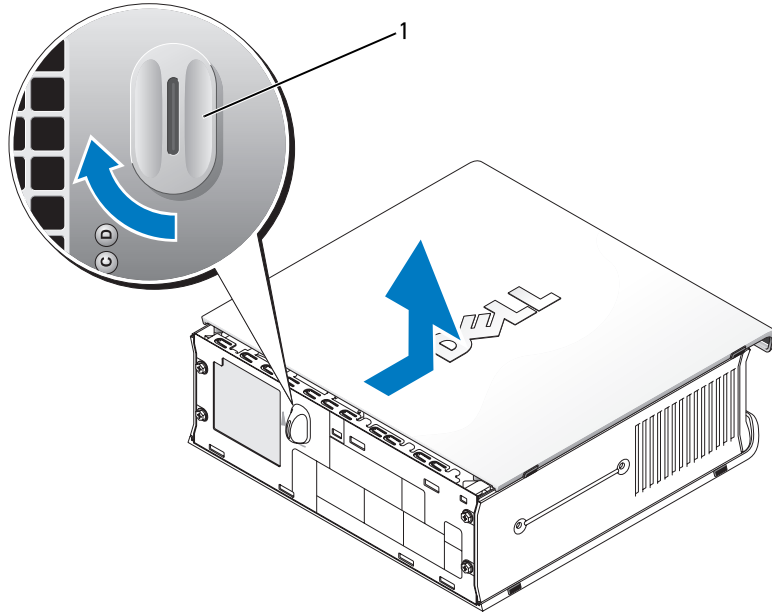
b Presione el botón de liberación, agarre la cubierta de los cables y deslícela hacia la izquierda hasta que se detenga y, a continuación, levántela y retírela.

3 Retire la cubierta del sistema.

a Gire el botón de liberación de la cubierta en el sentido de las manecillas del reloj, tal como se muestra en la ilustración.

b Deslice la cubierta del ordenador hacia adelante 1 centímetro aproximadamente (1/2 pulgada) o hasta que se detenga y, a continuación, levante la cubierta.

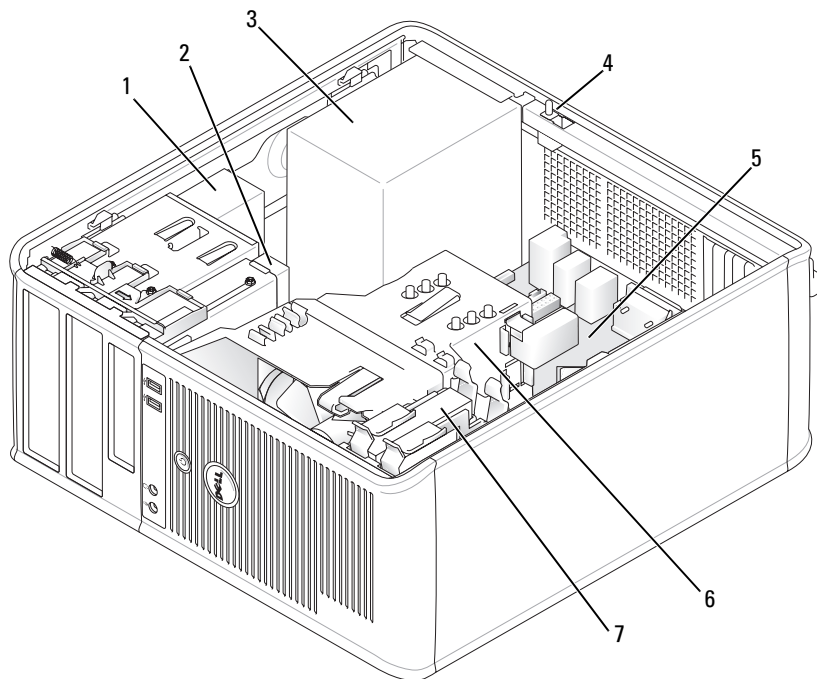
⚠ PRECAUCIÓN: Los disipadores de calor de la tarjeta gráfica pueden calentarse mucho durante el funcionamiento normal. Asegúrese de que el disipador de calor de la tarjeta gráfica haya tenido tiempo suficiente para enfriarse antes de tocarlo.



1 Botón de liberación

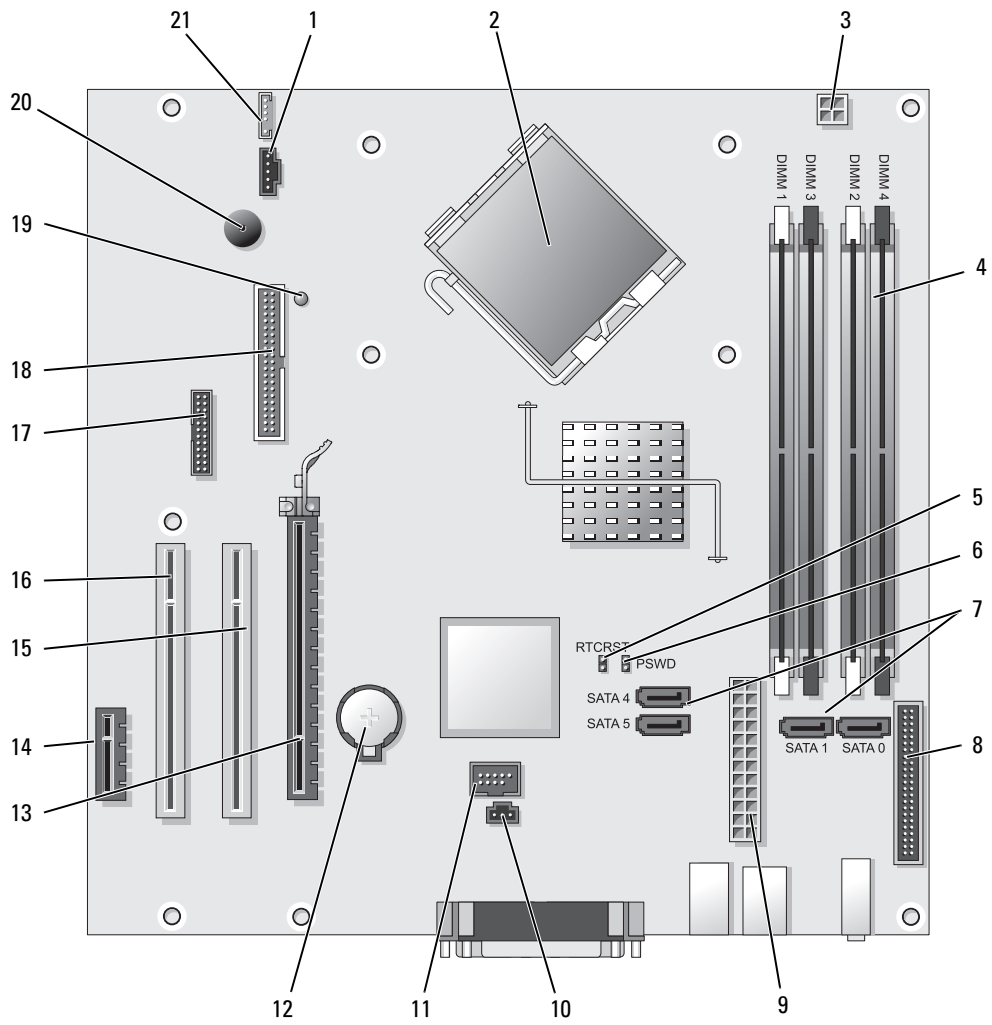
Interior de su ordenador

Ordenador de minitorre



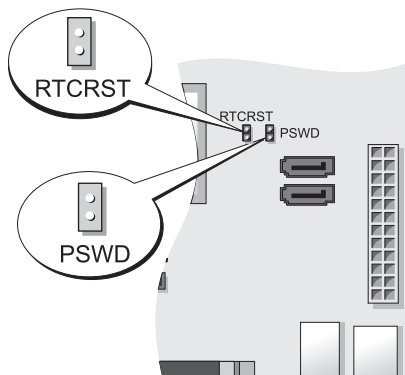
- | | | | | | |
|---|-------------------------------------------------------------|---|----------------------------------------|---|----------------------------------|
| 1 | Unidad óptica | 2 | Unidad de disquete o Media Card Reader | 3 | Fuente de alimentación |
| 4 | Conector del interruptor de intrusión en el chasis opcional | 5 | Tarjeta del sistema | 6 | Ensamblaje de disipador de calor |
| 7 | Unidad de disco duro | | | | |





Componentes de la placa base



- | | | | |
|----|-------------------------------------------------------------------|----|------------------------------------------|
| 1 | Conector del ventilador (FAN) | 12 | Zócalo de la batería (BATT) |
| 2 | Conector del procesador (CPU) | 13 | Conector PCI Express x16 (SLOT1) |
| 3 | Conector de alimentación del procesador (12VPOWER) | 14 | Conector PCI Express x1 (SLOT4) |
| 4 | Conectores del módulo de memoria (DIMM_1, DIMM_2, DIMM_3, DIMM_4) | 15 | Conector PCI (SLOT2) |
| 5 | Puente de reinicio de RTC (RTCRST) | 16 | Conector PCI (SLOT3) |
| 6 | Puente de contraseña (PSWD) | 17 | Conector serie (SER2) |
| 7 | Conectores de unidad SATA (SATA0, SATA1, SATA4, SATA5) | 18 | Conector de la unidad de disquete (DSKT) |
| 8 | Conector del panel anterior (FNT_PANEL) | 19 | Energía de consumo mínimo |
| 9 | Conector de alimentación (POWER) | 20 | Altavoz de la placa base (BEEP) |
| 10 | Conector del interruptor de intrusión (INTRUSO) | 21 | Conector del altavoz (INT_SPKR) |
| 11 | USB interno (INTERNAL_USB) | | |

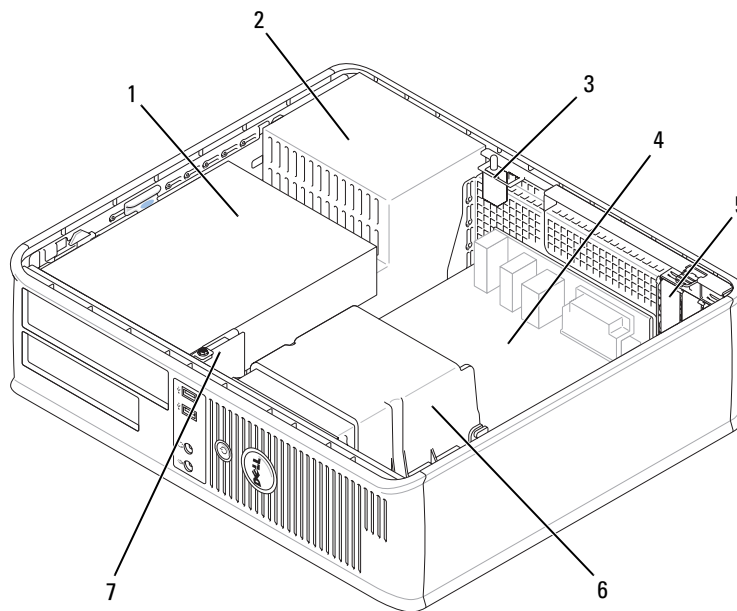
Configuración de puentes



Puente	Posición	Descripción
PSWD		Las funciones de contraseña están activadas (valor predeterminado).
		Las funciones de contraseña están desactivadas.
RTC/RST		El reloj de tiempo real no se ha restablecido.
		El reloj de tiempo real se está restableciendo (puenteado temporalmente).

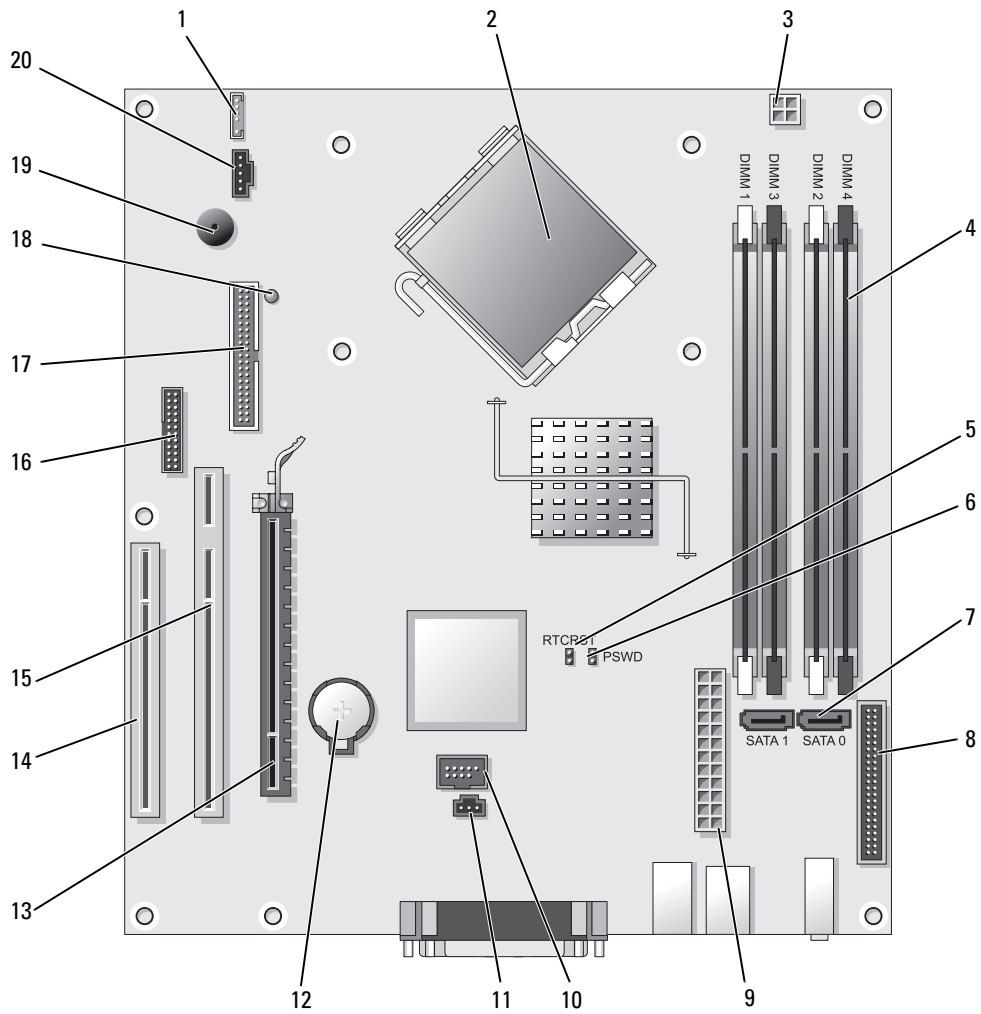
 *puenteado*  *no puenteado*

Ordenador de sobremesa



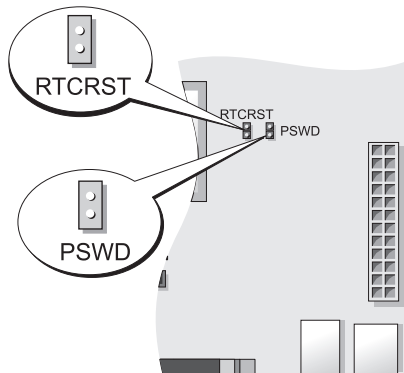
- | | | | | | |
|---|-------------------------------------------------------------------------------------------------------------|---|------------------------|---|-------------------------------------------------------------|
| 1 | Compartimentos para unidades (Media Card Reader o unidad de disquete, unidad óptica y unidad de disco duro) | 2 | Fuente de alimentación | 3 | Conector del interruptor de intrusión en el chasis opcional |
| 4 | Tarjeta del sistema | 5 | Ranuras para tarjetas | 6 | Ensamblaje de disipador de calor |
| 7 | Panel de E/S frontal | | | | |

Componentes de la placa base



- | | | | |
|----|-------------------------------------------------------------------|----|-------------------------------------------------|
| 1 | Altavoz interno (INT_SPKR) | 11 | Conector del interruptor de intrusión (INTRUSO) |
| 2 | Conector del procesador (CPU) | 12 | Zócalo de la batería (BATT) |
| 3 | Conector de alimentación del procesador (12VPOWER) | 13 | Conector PCI Express x16 (SLOT1) |
| 4 | Conectores del módulo de memoria (DIMM_1, DIMM_2, DIMM_3, DIMM_4) | 14 | Conector PCI (SLOT3) |
| 5 | Puente de reinicio de RTC (RTCRST) | 15 | Conector PCI (SLOT2) |
| 6 | Puente de contraseña (PSWD) | 16 | Conector serie (SER2) |
| 7 | Conectores SATA (SATA0, SATA1) | 17 | Conector de la unidad de disquete (DSKT) |
| 8 | Conector del panel anterior (FNT_PANEL) | 18 | Energía de consumo mínimo |
| 9 | Conector de alimentación (POWER) | 19 | Altavoz de la placa base (BEEP) |
| 10 | USB interno (INTERNAL_USB) | 20 | Conector del ventilador (FAN) |

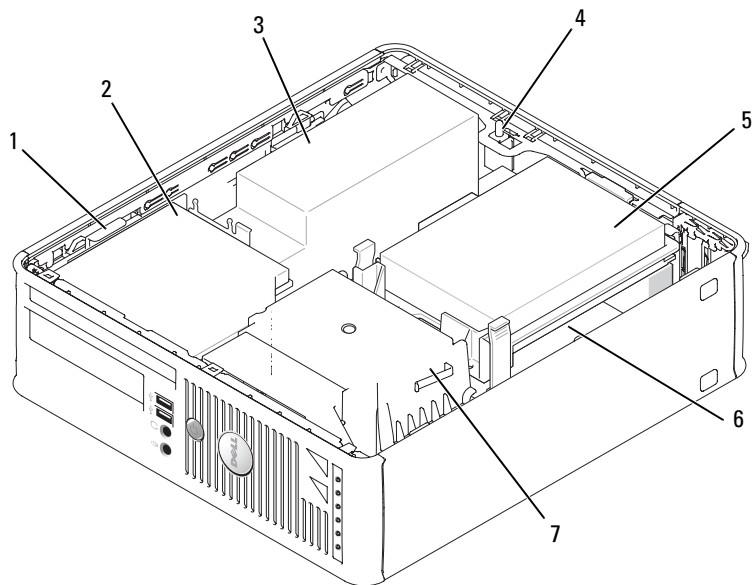
Configuración de puentes



Puente	Posición	Descripción
PSWD		Las funciones de contraseña están activadas (valor predeterminado).
		Las funciones de contraseña están desactivadas.
RTCRST		El reloj de tiempo real no se ha restablecido.
		El reloj de tiempo real se está restableciendo (puenteado temporalmente).

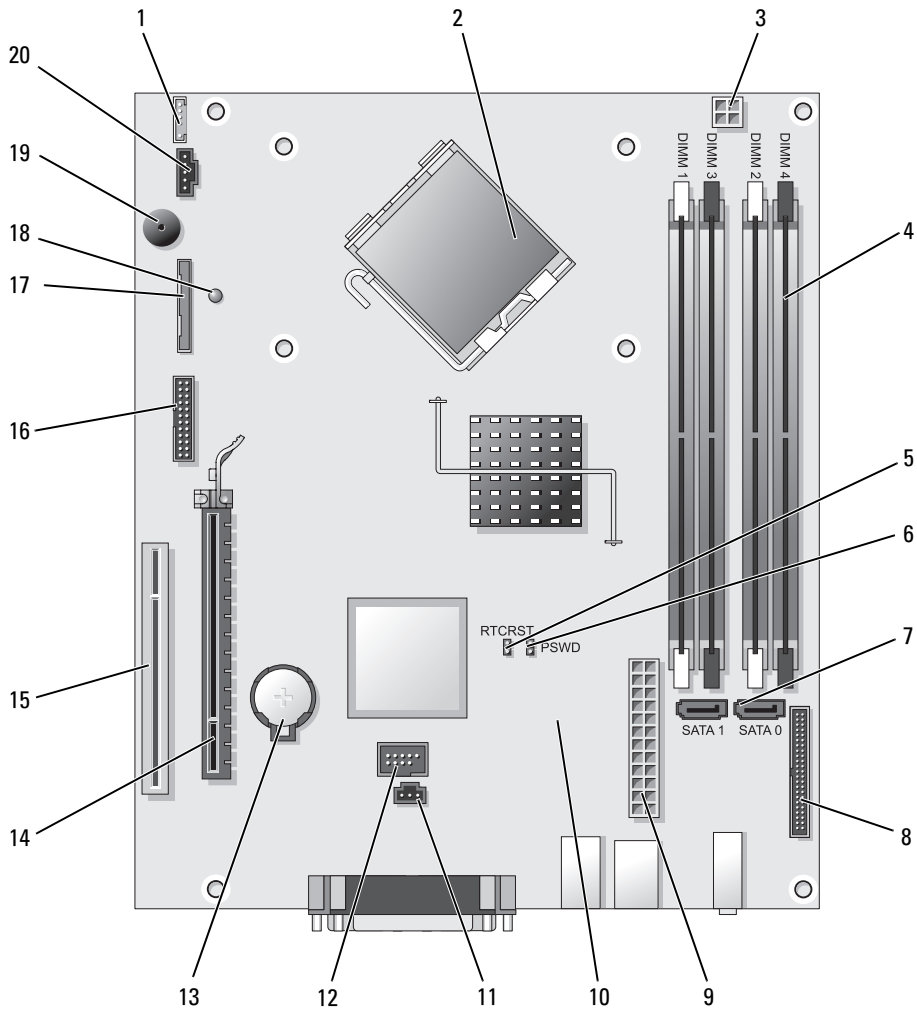
puenteado *no puenteado*

Ordenadores de formato reducido



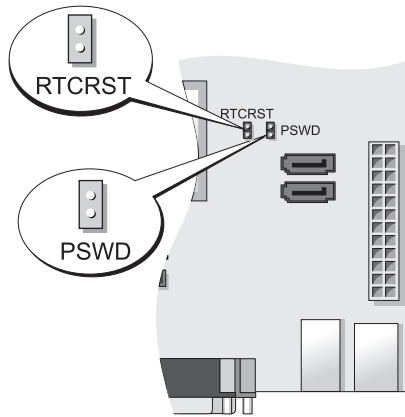
- | | | | | | |
|---|-------------------------------------------------------------|---|----------------------|---|-------------------------------------|
| 1 | Seguro de liberación de la unidad | 2 | Unidad óptica | 3 | Fuente de alimentación y ventilador |
| 4 | Conector del interruptor de intrusión en el chasis opcional | 5 | Unidad de disco duro | 6 | Tarjeta del sistema |
| 7 | Ensamblaje del disipador de calor y del ventilador | | | | |





Componentes de la placa base



- | | | | |
|----|-------------------------------------------------------------------|----|-------------------------------------------------|
| 1 | Conector del altavoz interno (INT_SPKR) | 11 | Conector del interruptor de intrusión (INTRUSO) |
| 2 | Conector del procesador (CPU) | 12 | Conector USB interno (USB) |
| 3 | Conector de alimentación del procesador (12VPOWER) | 13 | Zócalo de la batería (BATT) |
| 4 | Conectores del módulo de memoria (DIMM_1, DIMM_2, DIMM_3, DIMM_4) | 14 | Conector PCI Express x16 (SLOT1) |
| 5 | Puente de reinicio de RTC (RTCRST) | 15 | Conector PCI (SLOT2) |
| 6 | Puente de contraseña (PSWD) | 16 | Conector serie (SER2) |
| 7 | Conectores SATA (SATA0, SATA1) | 17 | Conector de la unidad de disquete (DSKT) |
| 8 | Conector del panel anterior (FNT_PANEL) | 18 | Energía de consumo mínimo |
| 9 | Conector de alimentación (POWER) | 19 | Altavoz de la placa base (BEEP) |
| 10 | Conector del ventilador (FAN2) | 20 | Conector del ventilador (FAN) |

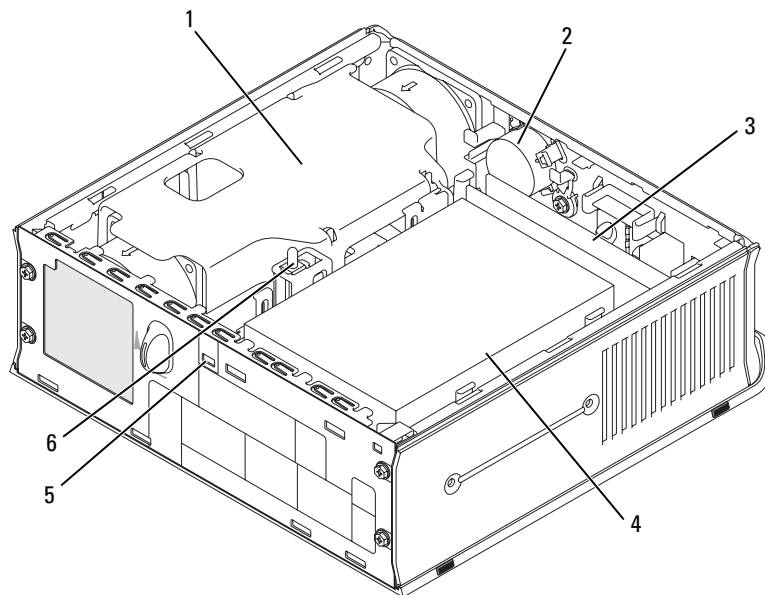
Configuración de puentes



Puente	Posición	Descripción
PSWD		Las funciones de contraseña están activadas (valor predeterminado).
		Las funciones de contraseña están desactivadas.
RTCST		El reloj de tiempo real no se ha restablecido.
		El reloj de tiempo real se está restableciendo (puenteado temporalmente).

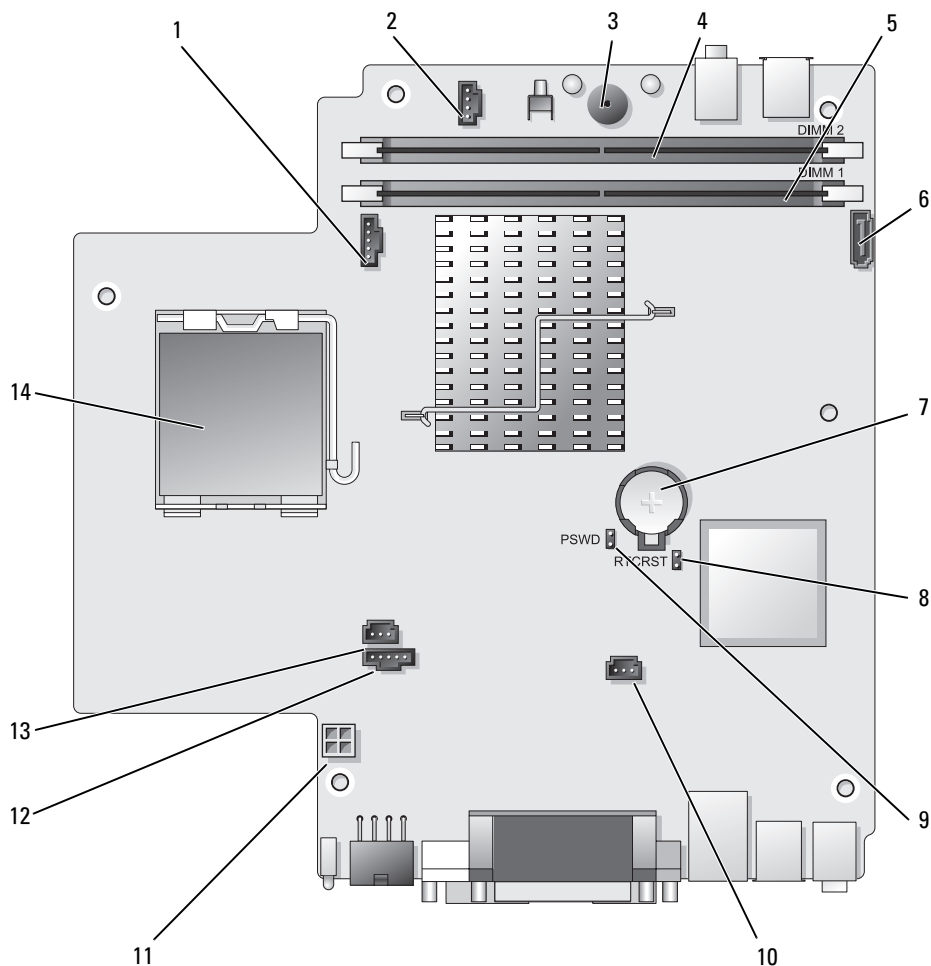
 *puenteado*  *no puenteado*

Ordenador de formato ultrareducido



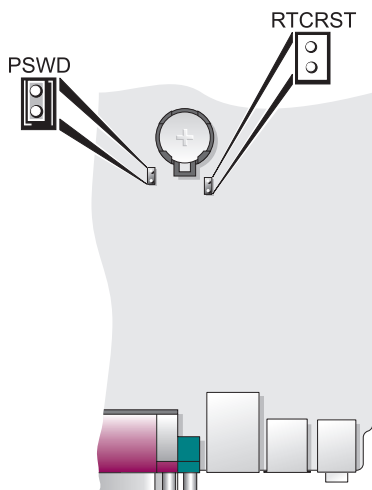
- | | | | | | |
|---|----------------------------------------------------------|---|--------------------------------|---|---------------------------------------|
| 1 | Cubierta del ventilador/ensamblaje de disipador de calor | 2 | Altavoz (opcional) | 3 | Módulos de memoria (2) |
| 4 | Unidad de disco duro | 5 | Ranura para cable de seguridad | 6 | Interruptor de intrusión en el chasis |

Componentes de la placa base



- | | | | |
|---|------------------------------------------|----|----------------------------------------------------------------|
| 1 | Conector del ventilador (FAN_FRONT) | 8 | Borrar el puente CMOS (RTCST) |
| 2 | Conector del altavoz interno (INT_SPKR) | 9 | Puente de contraseña (PSWD) |
| 3 | Altavoz de la placa base (BEEP) | 10 | Conector del ventilador de la unidad de disco duro (FAN_HDD) |
| 4 | Conector de memoria del canal B (DIMM_2) | 11 | Conector de alimentación de la unidad de disco duro (SATA_PWR) |
| 5 | Conector de memoria del canal A (DIMM_1) | 12 | Conector del ventilador (FAN_REAR) |
| 6 | Conector del cable de datos SATA (SATA0) | 13 | Conector del interruptor de intrusión (INTRUSO) |
| 7 | Batería (BATT) | 14 | Procesador (CPU) |

Configuración de puentes



Puente	Posición	Descripción
PSWD		Las funciones de contraseña están activadas (valor predeterminado).
		Las funciones de contraseña están desactivadas.
RTCRST		El reloj de tiempo real no se ha restablecido.
		El reloj de tiempo real se está restableciendo (puenteado temporalmente).


puenteado no puenteado

Configuración del ordenador

⚠ PRECAUCIÓN: Antes de realizar cualquiera de los procedimientos de esta sección, siga las instrucciones de seguridad que se encuentran en la *Guía de información del producto*.

➡ AVISO: Si el ordenador tiene instalada una tarjeta de expansión (como una tarjeta de módem), conecte el cable adecuado a la tarjeta, *no* al conector situado en el panel posterior.


➡ AVISO: Para ayudar a permitir que el ordenador mantenga una temperatura de funcionamiento adecuada, asegúrese de no colocar el ordenador demasiado cerca de la pared o de otro compartimento de almacenamiento que pueda prevenir la circulación del aire por el chasis. Para obtener más información, consulte la Guía de información del producto.

 **NOTA:** Antes de instalar algún dispositivo o software no suministrados con el ordenador, consulte la documentación que los acompaña o póngase en contacto con su proveedor para asegurarse de que software o el dispositivo es compatible con el ordenador y el sistema operativo.

Debe completar todos los pasos para configurar el ordenador adecuadamente. Consulte las ilustraciones adecuadas que siguen a las instrucciones.

 **AVISO:** No intente operar un ratón PS/2 y un ratón USB simultáneamente.

1 Conecte el teclado y el ratón.


 **AVISO:** No conecte un cable de módem al conector del adaptador de red. El voltaje de las comunicaciones telefónicas puede dañar el adaptador de red.

2 Conecte el módem o el cable de red.

Inserte el cable de red, no la línea telefónica, en el conector de red. Si tiene un módem opcional, conecte la línea telefónica al módem.


3 Conecte el monitor.


Alinee e inserte suavemente el cable del monitor para evitar que se doblen las patas del conector. Apriete los tornillos mariposa de los conectores del cable.

 **NOTA:** En algunos monitores el conector de vídeo se encuentra debajo de la parte posterior de la pantalla. Consulte la documentación que se incluía con el monitor para ver las ubicaciones del conector.

4 Conecte los altavoces.

5 Conecte los cables de alimentación al ordenador, monitor y dispositivos e inserte los otros extremos de los cables de alimentación a las tomas de alimentación eléctrica.

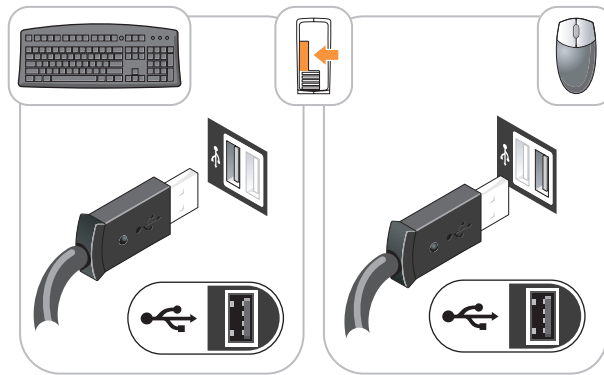
 **AVISO:** Con el fin de evitar dañar un ordenador que tenga un interruptor de selección de voltaje manual, coloque dicho interruptor en la posición que más se parezca a la de la potencia de corriente alterna disponible en su área.

 **AVISO:** En Japón, el conmutador de selección de voltaje debe marcar la posición 115V incluso si el suministro de corriente alterna disponible en Japón es de 100 V.

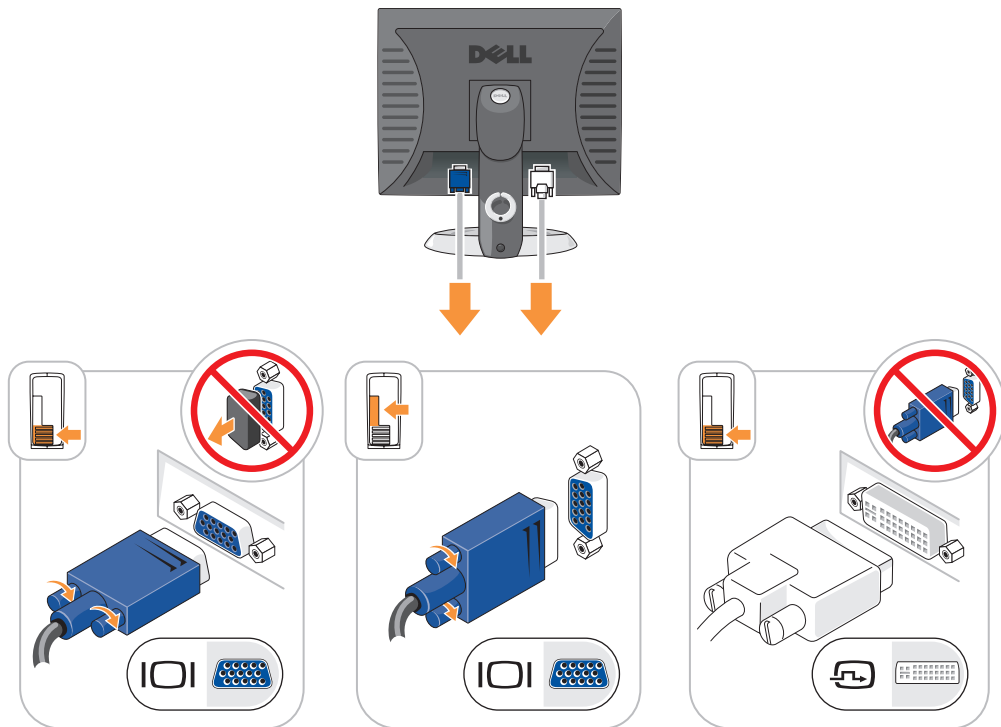
6 Verifique que el conmutador de selección de voltaje es la adecuada para su país.

El ordenador tiene un interruptor de selección de voltaje manual. Los ordenadores con un interruptor de selección de voltaje en el panel posterior se deben ajustar manualmente para que funcionen con el voltaje de operación correcto.

Configurar el teclado y el ratón



Configurar el monitor




Abra el programa de configuración del sistema (consulte “Configuración del sistema” en la *Guía del usuario* en línea para obtener instrucciones), revise la información sobre la configuración del ordenador y asegúrese de que el dispositivo que quiere probar se muestra en la configuración del sistema y está activo.

Inicie Dell Diagnostics desde la unidad de disco duro o desde el CD opcional *Drivers and Utilities* (Controladores y utilidades) (*ResourceCD*).

Cómo iniciar Dell Diagnostics desde la unidad de disco duro

- 1 Encienda (o reinicie) el ordenador.
- 2 Cuando aparezca el logotipo de DELL, pulse <F12>inmediatamente.

 **NOTA:** Si recibe un mensaje que indica que no se ha encontrado ninguna partición para la utilidad de diagnóstico, ejecute los Dell Diagnostics desde el CD opcional *Drivers and Utilities* (Controladores y utilidades) (consulte el apartado “Cómo iniciar los Dell Diagnostics desde el CD Drivers and Utilities (Controladores y utilidades) opcional” en la página 289).

Si espera demasiado y aparece el logotipo del sistema operativo, siga esperando hasta que aparezca el escritorio de Microsoft® Windows®. Después apague el ordenador y vuelva a intentarlo.

Cuando aparezca la lista de dispositivos de inicio, resalte **Boot to Utility Partition** (Iniciar desde la partición de utilidades) y pulse <Intro>.


- 3 Cuando aparezca el **Main Menu** (Menú principal) de Dell Diagnostics, seleccione la prueba que desea ejecutar.

Cómo iniciar los Dell Diagnostics desde el CD Drivers and Utilities (Controladores y utilidades) opcional

- 1 Inserte el CD *Drivers and Utilities* (Controladores y utilidades).
- 2 Apague y reinicie el ordenador.

Cuando aparezca el logotipo de DELL, pulse <F12>inmediatamente.

Si no lo hace inmediatamente, aparecerá el logotipo del sistema operativo; espere hasta que aparezca el escritorio de Microsoft Windows. Después apague el ordenador y vuelva a intentarlo.

 **NOTA:** Los siguientes pasos cambian la secuencia de inicio una sola vez. La próxima vez que inicie el ordenador, éste lo hará según los dispositivos especificados en la configuración del sistema.

- 3 Cuando aparezca la lista de dispositivos de inicio, resalte CD/DVD drive (Unidad de CD/DVD) y pulse <Intro>.
- 4 Seleccione la opción CD/DVD Drive (Unidad de CD/DVD) en el menú de inicio del CD.
- 5 Seleccione la opción CD/DVD Drive (Unidad de CD/DVD) en el menú de inicio del CD.
- 6 Escriba 1 para iniciar el menú del CD *Drivers and Utilities* (Controladores y utilidades).
- 7 Escriba 2 para iniciar los Dell Diagnostics.
- 8 Seleccione **Run the 32 Bit Dell Diagnostics** (Ejecutar los Dell Diagnostics de 32 bits) de la lista numerada. Si se muestran varias versiones, seleccione la apropiada para su ordenador.
- 9 Cuando aparezca el **Main Menu** (Menú principal) de Dell Diagnostics, seleccione la prueba que desea ejecutar.

Menú principal de Dell Diagnostics (Diagnósticos Dell)

- 1 Una vez se hayan cargado los Dell Diagnostics y aparezca la pantalla **Main Menu** (Menú principal), haga clic en el botón de la opción que desea.

Opción	Función
Express Test (Prueba rápida)	Realiza una prueba rápida de los dispositivos. Esta prueba suele tardar de 10 a 20 minutos y no requiere ninguna acción por parte del usuario. Ejecute primero Express Test (Prueba rápida) para incrementar la posibilidad de rastrear el problema rápidamente.
Extended Test (Prueba extendida)	Realiza una prueba completa de los dispositivos. Esta prueba suele durar una hora o más, y requiere que el usuario responda a preguntas periódicamente.
Custom Test (Prueba personalizada)	Prueba un dispositivo específico. Puede personalizar las pruebas que desee ejecutar.
Symptom Tree (Árbol de síntomas)	Hace una lista de los síntomas más habituales que se pueden encontrar y le permite seleccionar una prueba basándose en el síntoma del problema que usted tiene.

- 2 Si se produce un problema durante una prueba, aparecerá un mensaje con un código de error y una descripción del problema. Anote el código de error y la descripción del problema, y siga las instrucciones de la pantalla.

Si no puede resolver la condición del error, póngase en contacto con Dell. Para obtener información acerca de cómo ponerse en contacto con Dell, consulte la *Guía del usuario* en línea.



NOTA: La etiqueta de servicio para su ordenador está situada en la parte superior de cada pantalla de prueba. Si se pone en contacto con Dell, el servicio de asistencia técnica le pedirá su etiqueta de servicio.

- 3 Si ejecuta una prueba desde la opción **Custom Test** (Prueba personalizada) o **Symptom Tree** (Árbol de síntomas), haga clic en la ficha correspondiente que se describe en la tabla siguiente para obtener más información.

Ficha	Función
Results (Resultado)	Muestra el resultado de la prueba y las condiciones de error encontradas.
Errors (Errores)	Muestra las condiciones de error encontradas, los códigos de error y la descripción del problema.
Help (Ayuda)	Describe la prueba y puede indicar los requisitos para ejecutarla.
Configuration (Configuración)	Muestra la configuración de hardware del dispositivo seleccionado. Dell Diagnostics obtiene la información de configuración de todos los dispositivos a partir de la configuración del sistema, la memoria y varias pruebas internas, y la muestra en la lista de dispositivos del panel izquierdo de la pantalla. La lista de dispositivos puede que no muestre los nombres de todos los componentes instalados en el ordenador o de todos los dispositivos conectados al ordenador.
Parameters (Parámetros)	Le permite personalizar la prueba cambiando su configuración.

- 4 Cuando las pruebas hayan finalizado, si está ejecutando Dell Diagnostics (Diagnósticos Dell) desde el CD *Drivers and Utilities* (Controladores y Utilidades) (opcional), extraiga el CD.
- 5 Cierre la pantalla de prueba para volver a la pantalla **Main Menu** (Menú principal). Para salir de Dell Diagnostics y reiniciar el ordenador, cierre la pantalla **Main Menu** (Menú principal).

Indicadores luminosos del sistema

El indicador de alimentación puede indicar un problema en el ordenador.

Indicador de alimentación	Descripción del problema	Solución sugerida
Verde constante	El ordenador está encendido y funciona de la manera habitual.	No se necesita acción correctiva.
Verde intermitente	El ordenador se encuentra en un modo de ahorro de energía.	Pulse el botón de encendido, mueva el ratón, o pulse una tecla del teclado para activar el ordenador.
Parpadea en verde varias veces y luego se apaga	Existe un error de configuración.	Compruebe los indicadores luminosos de diagnóstico para intentar identificar el problema específico (consulte el apartado “Indicadores de diagnóstico” en la página 292).
Amarillo constante	Es posible que un dispositivo de la placa base sea defectuoso o no esté correctamente instalado, o bien que el interruptor de selección de voltaje del suministro de energía esté incorrectamente configurado.	Compruebe los indicadores luminosos de diagnóstico para intentar identificar el problema específico (consulte el apartado “Indicadores de diagnóstico” en la página 292). Consulte el apartado relativo a los problemas de alimentación en la <i>Guía del usuario</i> en línea. Si el ordenador no se inicia, diríjase a Dell para obtener asistencia técnica. Para obtener información acerca de cómo ponerse en contacto con Dell, consulte la <i>Guía del usuario</i> en línea.
Amarillo intermitente	Se ha producido un fallo del suministro de energía o de la placa base.	Compruebe los indicadores luminosos de diagnóstico para intentar identificar el problema específico (consulte el apartado “Indicadores de diagnóstico” en la página 292). Consulte el apartado relativo a los problemas de alimentación en la <i>Guía del usuario</i> en línea. Si el ordenador no se inicia, diríjase a Dell para obtener asistencia técnica. Para obtener información acerca de cómo ponerse en contacto con Dell, consulte la <i>Guía del usuario</i> en línea.
Verde continuo y un código de sonido durante la prueba POST	Se detectó un problema mientras se ejecutaba el BIOS.	Para obtener instrucciones sobre cómo diagnosticar el código de sonido consulte el apartado “Códigos de sonido” en la página 294. Consulte también los indicadores de diagnóstico para intentar identificar el problema específico.

Indicador de alimentación	Descripción del problema	Solución sugerida
Indicador de alimentación iluminado en color verde y ningún código de sonido ni vídeo durante la prueba POST	El monitor o la tarjeta de gráficos puede estar fallando o puede estar instalado incorrectamente.	Compruebe los indicadores de diagnóstico para ver si se identifica el problema específico.
Indicador de alimentación iluminado de verde y ningún código de sonido, pero el ordenador se bloquea durante la prueba POST	Puede haber un dispositivo de la placa base integrada que esté fallando.	Compruebe los indicadores de diagnóstico para ver si se identifica el problema específico. Si todavía no se ha identificado el problema, diríjase a Dell para obtener asistencia técnica. Para obtener información acerca de cómo ponerse en contacto con Dell, consulte la <i>Guía del usuario</i> en línea.

Indicadores de diagnóstico

⚠ PRECAUCIÓN: Antes de comenzar cualquiera de los procedimientos de esta sección, siga las instrucciones de seguridad que se encuentran en la *Guía de información del producto*.

Para ayudarle a solucionar un problema con el ordenador, el ordenador cuenta con cuatro indicadores denominados “1”, “2”, “3” y “4” situados en el panel anterior o posterior. Estos indicadores pueden ser verdes o pueden estar apagados. Cuando el ordenador se inicia de manera normal, los patrones o códigos de los indicadores cambian a medida que avanza el proceso de arranque. Si la etapa POST (Autoprueba de encendido) de inicio del sistema se realiza con todo éxito, los cuatro indicadores luminosos muestran verde continuo por un corto periodo de tiempo y después se apagan.

En el caso de que se produzcan errores durante el proceso de la POST, el patrón mostrado en los indicadores LED puede ayudarle a identificar la fase del proceso en la que se ha detenido el ordenador. Si el ordenador no funciona correctamente después de haberse realizado una Autoprueba de encendido (POST) con éxito, los indicadores luminosos de diagnóstico no indican la causa del problema.

📝 NOTA: La orientación de los indicadores de diagnóstico puede variar en función del tipo de sistema. Los indicadores de diagnóstico pueden estar orientados de manera vertical u horizontal.

Patrón de luz	Descripción del problema	Resolución sugerida
① ② ③ ④	El ordenador está apagado o se ha producido un error de pre-BIOS. Los indicadores de diagnóstico no permanecen encendidos después de que el ordenador se inicie correctamente en el sistema operativo.	Enchufe el ordenador a una toma de alimentación eléctrica en funcionamiento y pulse el botón de alimentación.
① ② ③ ④	Se ha producido un posible fallo del BIOS; el ordenador se encuentra en modo de recuperación.	Ejecute la Utilidad de recuperación de BIOS, espere a que acabe la recuperación y reinicie el ordenador.
① ② ③ ④	Se ha producido un posible fallo en el procesador.	Vuelva a instalar el procesador y reinicie el ordenador. Para obtener información sobre cómo volver a instalar el procesador, consulte la <i>Guía del usuario</i> en línea.

Patrón de luz	Descripción del problema	Resolución sugerida
	<p>Se han detectado los módulos de memoria, pero se ha producido un error de memoria.</p>	<ul style="list-style-type: none"> • Si tiene instalado un módulo de memoria, vuelva a instalarlo y, a continuación, reinicie el ordenador. Para obtener información sobre cómo volver a instalar los módulos de memoria, consulte la <i>Guía del usuario</i> en línea. • Si tiene instalados dos o más módulos de memoria, extráigalos, vuelva a instalar uno y reinicie el ordenador. Si el ordenador se inicia normalmente, vuelva a instalar otro módulo. Prosiga de este modo hasta que identifique el módulo anómalo o hasta que haya vuelto a instalar todos los módulos sin errores. • Si es posible, instale una memoria del mismo tipo que funcione correctamente en el ordenador. • Si el problema persiste, póngase en contacto con Dell. Para obtener información acerca de cómo ponerse en contacto con Dell, consulte la <i>Guía del usuario</i> en línea.
	<p>Se ha producido un posible fallo de la tarjeta de gráficos.</p>	<ul style="list-style-type: none"> • Si el ordenador incluye una tarjeta gráfica, extráigala, vuelva a instalarla y, a continuación, reinicie el ordenador. • Si persiste el problema, instale una tarjeta de gráficos que sepa que funcione y reinicie el ordenador. • Si no se soluciona el problema o el ordenador tiene gráficos integrados, póngase en contacto con Dell. Para obtener información acerca de cómo ponerse en contacto con Dell, consulte la <i>Guía del usuario</i> en línea.
	<p>Se ha producido un error de unidad de disco flexible o de disco duro.</p>	<p>Vuelva a asentar todos los cables de alimentación y de datos y reinicie el ordenador.</p>
	<p>Se ha producido un fallo de USB.</p>	<p>Vuelva a instalar todos los dispositivos USB, compruebe las conexiones por cable y reinicie el ordenador.</p>

Patrón de luz	Descripción del problema	Resolución sugerida
	No se detectan módulos de memoria.	<ul style="list-style-type: none"> • Si tiene instalado un módulo de memoria, vuelva a instalarlo y, a continuación, reinicie el ordenador. Para obtener información sobre cómo volver a instalar los módulos de memoria, consulte la <i>Guía del usuario</i> en línea. • Si tiene instalados dos o más módulos de memoria, extráigalos, vuelva a instalar uno y reinicie el ordenador. Si el ordenador se inicia normalmente, vuelva a instalar otro módulo. Prosiga de este modo hasta que identifique el módulo anómalo o hasta que haya vuelto a instalar todos los módulos sin errores. • Si es posible, instale una memoria del mismo tipo que funcione correctamente en el ordenador. • Si el problema persiste, póngase en contacto con Dell. Para obtener información acerca de cómo ponerse en contacto con Dell, consulte la <i>Guía del usuario</i> en línea.
	Se han detectado los módulos de memoria, pero existe un error de configuración del sistema o de compatibilidad.	<ul style="list-style-type: none"> • Asegúrese de que no existen requisitos especiales para la colocación del conector o del módulo de memoria. • Verifique que los módulos de memoria que instala sean compatibles con el ordenador. • Si el problema persiste, póngase en contacto con Dell. Para obtener información acerca de cómo ponerse en contacto con Dell, consulte la <i>Guía del usuario</i> en línea.
	Se ha producido un fallo. Este patrón también se muestra cuando entra en la configuración del sistema y puede que no indique un problema.	<ul style="list-style-type: none"> • Compruebe que los cables de las unidades de disco duro, de CD y de DVD están conectados a la placa base. • Compruebe el mensaje del ordenador que aparece en la pantalla del monitor. • Si el problema persiste, póngase en contacto con Dell. Para obtener información acerca de cómo ponerse en contacto con Dell, consulte la <i>Guía del usuario</i> en línea.

Códigos de sonido

Si el monitor no puede mostrar errores o problemas, es posible que el ordenador emita una serie de sonidos durante el inicio. Esta serie de sonidos, denominada códigos de sonido, identifica un problema. Un código de sonido posible (código 1 3-1) consta de un sonido, una secuencia de tres sonidos y, a continuación, otro sonido. Este código de sonido indica que el ordenador ha detectado un problema de memoria.

Si el ordenador emite sonidos durante el inicio:

- 1 Anote el código de sonido.
- 2 Consulte el apartado “Dell Diagnostics” en la página 288 para identificar una causa más grave.
- 3 Diríjase a Dell para obtener asistencia técnica. Para obtener información acerca de cómo ponerse en contacto con Dell, consulte la *Guía del usuario* en línea.

Código	Causa	Código	Causa
1-1-2	Fallo en un registro del microprocesador	3-1-4	Fallo en el registro esclavo de enmascaramiento de interrupciones
1-1-3	Fallo de lectura/escritura NVRAM	3-2-2	Fallo en la carga del vector de interrupciones
1-1-4	Fallo en la suma de comprobación del BIOS en ROM	3-2-4	Fallo de la prueba de la controladora del teclado
1-2-1	Error del temporizador de intervalos programable	3-3-1	Pérdida de alimentación para la NVRAM
1-2-2	Fallo en la inicialización de DMA	3-3-2	Configuración de la NVRAM no válida
1-2-3	Fallo de lectura /escritura en el registro de páginas del sistema de DMA	3-3-4	Fallo en la prueba de la memoria de vídeo
1-3	Fallo en la prueba de la memoria de vídeo	3-4-1	Fallo de inicio de la pantalla
1-3-1 a 2-4-4	La memoria no se está utilizando o identificando adecuadamente	3-4-2	Fallo en el retraso de la pantalla
3-1-1	Fallo en el registro DMA esclavo	3-4-3	Fallo de búsqueda de ROM de vídeo
3-1-2	Fallo en el registro del DMA maestro	4-2-1	No hay impulsos del temporizador
3-1-3	Fallo en el registro maestro de enmascaramiento de interrupciones.	4-2-2	Fallo de suspensión del trabajo
4-2-3	Error Gate A20	4-4-1	Fallo en la prueba de un puerto serie o paralelo
4-2-4	Interrupción inesperada en modo protegido	4-4-2	Falló la descompresión de los datos hacia la memoria duplicada
4-3-1	Fallo de memoria por encima de la dirección 0FFFFh	4-4-3	Fallo en la prueba del coprocesador matemático
4-3-3	Fallo en el contador del chip del temporizador 2	4-4-4	Fallo de la prueba de la memoria caché
4-3-4	El reloj de hora se ha parado		

Cómo resolver incompatibilidades de software y hardware

Si un dispositivo no se detecta durante la configuración del sistema operativo o se detecta pero no está configurado correctamente, puede utilizar el Agente de solución de errores de hardware para solucionar la incompatibilidad.

- 1 Haga clic en el botón **Inicio** y en **Ayuda y soporte técnico**.

- 2 Escriba `hardware troubleshooter` (solucionador de problemas de hardware) en el campo **Búsqueda** y haga clic en la flecha para iniciar la búsqueda.
- 3 Haga clic en **Solucionador de problemas de hardware** en la lista **Resultados de la búsqueda**.
- 4 En la lista **Solucionador de problemas de hardware**, haga clic en **Necesito resolver un conflicto de hardware de mi ordenador** y haga clic en **Siguiente**.

Utilización de la función Restaurar sistema de Microsoft Windows XP

El sistema operativo Microsoft Windows XP proporciona la función Restaurar sistema, que permite volver a un estado operativo anterior del ordenador (sin que ello afecte a los archivos de datos) si, al realizar cambios en el hardware, en el software o en otros valores del sistema, el ordenador se encuentra en un estado operativo no deseado. Consulte el Centro de ayuda y soporte técnico de Windows para obtener información sobre el uso de la función Restaurar sistema. Para acceder al centro de ayuda y soporte técnico de Windows, consulte el apartado “Centro de ayuda y soporte técnico de Windows” en la página 248.



AVISO: Realice copias de seguridad periódicas de los archivos de datos. La función Restaurar sistema no supervisa ni recupera los archivos de datos.

Creación de un punto de restauración

- 1 Haga clic en el botón **Inicio** y seleccione **Ayuda y soporte técnico**.
- 2 Haga clic en **Restaurar sistema**.
- 3 Siga las instrucciones que aparecen en pantalla.

Restauración del ordenador a un estado operativo anterior




AVISO: Antes de restaurar el ordenador a un estado operativo anterior, guarde y cierre los archivos abiertos y salga de los programas activos. No modifique, abra ni suprima ningún archivo ni programa hasta que la restauración del sistema haya finalizado.

- 1 Haga clic en el botón **Inicio**, seleccione **Todos los programas** → **Accesorios** → **Herramientas del sistema** y, a continuación, haga clic en **Restaurar sistema**.
- 2 Asegúrese de seleccionar **Devolver el equipo a un estado anterior** y, a continuación, haga clic en **Siguiente**.
- 3 En el calendario, haga clic en la fecha a la que desea restaurar el ordenador.
La pantalla **Selección de un punto de restauración** proporciona un calendario que permite ver y seleccionar puntos de restauración. Todas las fechas con puntos de restauración disponibles aparecen en **negrita**.
- 4 Seleccione un punto de restauración y, a continuación, haga clic en **Siguiente**.
Si una fecha sólo tiene un punto de restauración, éste se selecciona automáticamente. Si hay dos o más puntos de restauración disponibles, haga clic en el punto de restauración que prefiera.
- 5 Haga clic en **Siguiente**.
La pantalla de **Restauración finalizada** aparece cuando la función Restaurar sistema ha finalizado de recoger los datos y a continuación se reinicia el ordenador.
- 6 Cuando el ordenador se reinicie, haga clic en **Aceptar**.

Para cambiar el punto de restauración, puede repetir los pasos con otro punto de restauración o bien puede deshacer la restauración.

Cómo deshacer la última operación de Restaurar sistema

 **AVISO:** Antes de deshacer la última restauración del sistema, guarde y cierre todos los archivos abiertos y cierre todos los programas. No modifique, abra ni suprima ningún archivo ni programa hasta que la restauración del sistema haya finalizado.

- 1 Haga clic en el botón **Inicio**, seleccione **Todos los programas**→ **Accesorios**→ **Herramientas del sistema** y, a continuación, haga clic en **Restaurar sistema**.
- 2 Seleccione **Deshacer la última restauración** y haga clic en **Siguiente**.
- 3 Haga clic en **Siguiente**.
Aparece la pantalla **Restaurar sistema** y, a continuación, el ordenador se reinicia.
- 4 Cuando el ordenador se reinicie, haga clic en **Aceptar**.


Activación de la función Restaurar sistema

Si reinstala Windows XP con menos de 200 MB de espacio libre disponible en el disco duro, se desactivará automáticamente la función Restaurar sistema. Para verificar si la función Restaurar sistema está activada:

- 1 Haga clic en el botón **Inicio** y en **Panel de control**.
- 2 Haga clic en **Rendimiento y administración**.
- 3 Haga clic en **Sistema**.
- 4 Haga clic en la ficha **Restaurar sistema**.
- 5 Asegúrese de que está desmarcada la opción **Desactivar Restaurar sistema**.

Cómo volver a instalar Microsoft Windows XP


Para empezar

 **NOTA:** Los procedimientos de este documento fueron escritos para la vista predefinida de Windows en Windows XP Home Edition, por lo que los pasos serán diferentes si configura su ordenador Dell con la vista clásica de Windows o está utilizando Windows XP Professional.

Si está considerando reinstalar el sistema operativo Windows XP para corregir un problema con un controlador instalado recientemente, intente usar primero la función Device Driver Rollback (Deshacer controlador de dispositivos) de Windows XP.


- 1 Haga clic en el botón **Inicio** y en **Panel de control**.
- 2 En **Elija una categoría**, haga clic en **Rendimiento y mantenimiento**.
- 3 Haga clic en **Sistema**.
- 4 En la ventana **Propiedades del sistema**, haga clic en la ficha **Hardware**.
- 5 Haga clic en **Administrador de dispositivos**.
- 6 Haga clic con el botón derecho del ratón en el dispositivo para el que se ha instalado el nuevo controlador y haga clic en **Propiedades**.
- 7 Haga clic en la ficha **Controladores**.
- 8 Haga clic en **Desinstalar controlador**.

Si la función de desinstalación del controlador de dispositivo no resuelve el problema, utilice la función Restaurar sistema para que el sistema operativo vuelva al estado operativo en que se encontraba antes de que se instalara el nuevo controlador de dispositivo (consulte el apartado “Utilización de la función Restaurar sistema de Microsoft Windows XP” en la página 296).

 **NOTA:** El CD *Drivers and Utilities* (Controladores y utilidades) contiene los controladores que se instalaron durante el ensamblaje del ordenador. Utilice el CD *Drivers and Utilities* (Controladores y utilidades) para cargar cualquier controlador necesario, incluidos los controladores necesarios si el ordenador tiene una controladora RAID.

Reinstalación de Windows XP

 **AVISO:** Debe utilizar Windows XP Service Pack 1 o posterior cuando vuelva a instalar Windows XP.


 **AVISO:** Antes de realizar la instalación, haga una copia de seguridad de todos los archivos de datos en la unidad de disco duro principal. En las configuraciones convencionales de disco duro, la unidad de disco duro principal es la primera unidad que detecta el ordenador.


Para volver a instalar Windows XP, necesita los siguientes elementos:

- El CD *Operating System* (Sistema operativo) de Dell
- El CD *Drivers and Utilities* (Controladores y utilidades) de Dell

Para reinstalar Windows XP, realice todos los pasos descritos en las secciones siguientes en el orden en que se enumeran.

El proceso de reinstalación puede durar entre una y dos horas. Una vez finalizada la reinstalación del sistema operativo, deberá reinstalar los controladores de dispositivo, el antivirus y los demás programas de software.

 **AVISO:** En el CD *Operating System* (Sistema operativo) se ofrecen varias opciones para reinstalar Windows XP. Estas opciones pueden llegar a sobrescribir archivos y pueden afectar a las aplicaciones instaladas en la unidad de disco duro. Por lo tanto, se recomienda no reinstalar Windows XP a menos que se lo indique un representante de asistencia técnica de Dell.

 **AVISO:** Para evitar conflictos con Windows XP, desactive el software antivirus que tenga instalado en el ordenador antes de reinstalar Windows. Para obtener instrucciones, consulte la documentación proporcionada con el software.

Arranque desde el CD Operating System (Sistema operativo)

- 1 Guarde y cierre los archivos que tenga abiertos y salga de todos los programas.
- 2 Inserte el CD *Operating System* (Sistema operativo). Haga clic en **Salir** si aparece el mensaje `Install Windows XP` (Instalar Windows XP).
- 3 Reinicie el ordenador.
- 4 Pulse <F12> inmediatamente después de que aparezca el logotipo de DELL.
Si se muestra el logotipo del sistema operativo, espere hasta que aparezca el escritorio de Windows y, a continuación, apague el ordenador e inténtelo de nuevo.
- 5 Pulse las teclas de flecha para seleccionar el **CD-ROM** y pulse <Intro>.
- 6 Cuando aparezca el mensaje `Press any key to boot from the CD` (Presione cualquier tecla para arrancar desde el CD, pulse cualquier tecla).

Configuración de Windows XP

- 1 Cuando aparezca la pantalla **Programa de instalación de Windows XP**, pulse <Intro> para seleccionar **Instalar Windows ahora**.
- 2 Lea la información en la pantalla del **Acuerdo de Licencia de Microsoft Windows** y pulse <F8> para aceptar el contrato de licencia.
- 3 Si el ordenador ya tiene instalado Windows XP y desea recuperar los datos actuales de Windows XP, escriba r para seleccionar la opción de reparación y, a continuación, extraiga el CD.
- 4 Si desea instalar una nueva copia de Windows XP, pulse <Esc> para seleccionar dicha opción.
- 5 Pulse <Intro> para seleccionar la partición resaltada (recomendada) y, a continuación, siga las instrucciones de la pantalla.

Aparecerá la pantalla **Programa de instalación de Windows XP** y el sistema operativo empezará a copiar archivos y a instalar los dispositivos. El ordenador se reinicia automáticamente varias veces.



NOTA: El tiempo necesario para que se complete la instalación depende del tamaño de la unidad de disco duro y de la velocidad del ordenador.



AVISO: No pulse ninguna tecla cuando aparezca el mensaje siguiente: `Press any key to boot from the CD` (Presione cualquier tecla para arrancar desde el CD).

- 6 Cuando aparezca la pantalla **Configuración regional y de idioma**, seleccione la configuración regional de su zona y pulse **Siguiente**.
- 7 Escriba su nombre y el de su organización (opcional) en la pantalla **Personalice su software** y, a continuación, haga clic en **Siguiente**.
- 8 En la ventana **Nombre del ordenador y contraseña del administrador**, escriba un nombre para el ordenador (o bien acepte la propuesta) y una contraseña y haga clic en **Siguiente**.
- 9 Si aparece la pantalla de **Información de marcado de módem**, introduzca la información solicitada y haga clic en **Siguiente**.
- 10 Escriba la fecha, la hora y la zona horaria en la ventana **Valores de fecha y hora** y, a continuación, haga clic en **Siguiente**.
- 11 Si aparece la pantalla **Configuración de red**, haga clic en **Típica** y, después, en **Siguiente**.
- 12 Si va a reinstalar Windows XP Professional y el sistema le pide que proporcione más información acerca de la configuración de red, especifique sus selecciones. Si no está seguro de su configuración, acepte las opciones predeterminadas.


Windows XP instala los componentes del sistema operativo y configura el ordenador. El ordenador se reiniciará automáticamente.



AVISO: No pulse ninguna tecla cuando aparezca el mensaje siguiente: `Press any key to boot from the CD` (Presione una tecla para iniciar desde el CD).


- 13 Cuando aparezca la pantalla **Bienvenido a Microsoft**, haga clic en **Siguiente**.
- 14 Cuando aparezca el mensaje `How will this computer connect to the Internet?` (¿Cómo se conectará este equipo a Internet?), haga clic en **Omitir**.
- 15 Cuando aparezca la pantalla **¿Preparado para registrarse con Microsoft?**, seleccione **No en este momento** y haga clic en **Siguiente**.

- 16 Cuando aparezca la pantalla **¿Quién usará este ordenador?**, podrá especificar un máximo de cinco usuarios.
- 17 Haga clic en **Siguiente**.
- 18 Haga clic en **Finalizar** para completar la instalación y extraiga el CD.
- 19 Vuelva a instalar los controladores apropiados con el CD *Drivers and Utilities* (Controladores y utilidades).
- 20 Vuelva a instalar el software antivirus.
- 21 Reinstale los programas.

 **NOTA:** Para volver a instalar y activar los programas de Microsoft Office o Microsoft Works Suite, necesita el número de Product Key ubicado en la parte posterior de la portada del CD de Microsoft Office o Microsoft Works Suite.

Uso del CD Drivers and Utilities

Para utilizar el CD *Drivers and Utilities* (Controladores y utilidades) (*ResourceCD*) mientras se está ejecutando el sistema operativo Windows.

 **NOTA:** Para acceder a los controladores del dispositivo y a la documentación del usuario, debe utilizar el CD *Drivers and Utilities* (Controladores y utilidades) mientras ejecuta Windows.

- 1 Encienda el ordenador y permita que se inicie en el escritorio de Windows.
- 2 Inserte el CD *Drivers and Utilities* (Controladores y utilidades) en la unidad de CD.
Si está utilizando el CD *Drivers and Utilities* (Controladores y utilidades) por primera vez en este ordenador, se abrirá la ventana **ResourceCD Installation** (Instalación de ResourceCD) para informarle que el CD *Drivers and Utilities* (Controladores y utilidades) está a punto de empezar su instalación.
- 3 Haga clic en **OK** (Aceptar) para continuar.
Para completar la instalación, responda a las peticiones ofrecidas por el programa de instalación.
- 4 Haga clic en **Next** (Siguiente) en la pantalla **Welcome Dell System Owner** (Bienvenida al propietario del sistema Dell).

Seleccione el **System Model** (Modelo del sistema), **Operating System** (Sistema operativo), **DeviceType** (Tipo de dispositivo) y **Topic** (Tema) adecuados.

Controladores para el ordenador

Para mostrar una lista de los controladores de dispositivo del ordenador

- 1 Haga clic en **My Drivers** (Mis controladores) en el menú descendente **Topic** (Tema).
El CD denominado *Drivers and Utilities* (Controladores y utilidades) (opcional) examina el sistema operativo y el hardware del ordenador y después aparece en la pantalla una lista de los controladores de dispositivos de la configuración del sistema.
- 2 Pulse sobre el controlador adecuado y siga las instrucciones para descargarlo al ordenador.

Para ver todos los controladores disponibles para el ordenador, haga clic en **Drivers** (Controladores) en el menú descendente **Topic** (Tema).

Índice

A

- alimentación
 - indicador, 256, 260
- archivo de ayuda
 - Centro de ayuda y soporte técnico de Windows, 248

C

- CD
 - sistema operativo, 248
- CD Drivers and Utilities (Controladores y utilidades), 247
- CD Operating System (Sistema operativo), 248
- Centro de ayuda y soporte técnico, 248
- códigos de sonido, 294
- conflictos
 - incompatibilidades de software y hardware, 295
- Contrato de licencia del usuario final, 248
- controladores
 - lista de, 300
- cubierta
 - retirar, 266

D

- Dell Diagnostics, 288
- diagnósticos
 - códigos de sonido, 294
 - Dell Diagnostics, 288
- documentación
 - Contrato de licencia del usuario final, 248
 - en línea, 249
 - ergonomía, 248
 - garantía, 248
 - Guía de información del producto, 248
 - Guía del usuario, 247
 - reglamentaria, 248
 - seguridad, 248

E

- Etiqueta de servicio, 249
- etiquetas
 - Etiqueta de servicio, 249
 - Microsoft Windows, 249

G

- Guía de información del producto, 248
- Guía del usuario, 247

H

- hardware
 - códigos de sonido, 294
 - Dell Diagnostics, 288

I

- indicador de alimentación
 - diagnosticar problemas con, 291
- indicadores
 - alimentación, 256, 260
- indicadores luminosos
 - diagnóstico, 292
 - sistema, 291
- información
 - reglamentaria, 248
- información sobre ergonomía, 248
- información sobre la garantía, 248
- instalar piezas
 - antes de empezar, 267
- instrucciones de seguridad, 248

M

- mensajes de error
 - códigos de sonido, 294

indicadores luminosos de diagnóstico, 292
indicadores luminosos del sistema, 291

P

placa base, 275, 278, 284
placa base. *Consulte* placa base
problemas. *Consulte solución de problemas*

R

Restaurar sistema, 296

S

sistema operativo
volver a instalar, 248
volver a instalar Windows XP, 297
sitio web de asistencia técnica, 249
sitio web de asistencia técnica de Dell, 249
solución de problemas
Centro de ayuda y soporte técnico, 248
códigos de sonido, 294
conflictos de hardware y software, 295
Dell Diagnostics, 288
indicadores luminosos de diagnóstico, 292

indicadores luminosos del sistema, 291
restaurar al estado de funcionamiento anterior, 296
Solucionador de problemas de hard, 295

Solucionador de problemas de hardware, 295

V

volver a instalar
Windows XP, 297

W

Windows XP
Centro de ayuda y soporte técnico, 248
configuración, 299
Restaurar sistema, 296
Solucionador de problemas de hardware, 295
solucionador de problemas de hardware, 295
volver a instalar, 248, 297

Dell™ OptiPlex™ 745

Hızlı Başvuru Kılavuzu

Modeller DCTR, DCNE, DCSM, ve DCCY

www.dell.com | support.dell.com

Notlar, Uyarılar ve Dikkatler



NOT: NOT, bilgisayarınızdan daha iyi şekilde yararlanmanızı sağlayan önemli bilgiler verir.



DİKKAT: DİKKAT donanıma verilebilecek olası hasarı veya veri kaybını belirtir ve sorunun önüne nasıl geçebileceğinizi anlatır.



UYARI: UYARI olası mal hasarı, kişisel hasar veya ölümü belirtir.

Dell™ n Serisi bir bilgisayar satın aldıysanız, bu belgede Microsoft® Windows® işletim sistemlerine yapılan her türlü gönderme geçersizdir.

Bu belgedeki bilgiler, önceden bildirilmeksizin değiştirilebilir.

© 2006 Dell Inc. Tüm hakları saklıdır.

Dell Inc. tarafından verilmiş yazılı izin olmadan herhangi bir şekilde çoğaltılması kesinlikle yasaktır.

Bu metinde kullanılan ticari markalar: *Dell, DELL* logosu, *Inspiron, Dell Precision, Dimension, OptiPlex, Latitude, PowerEdge, PowerVault, PowerApp*, ve *Dell OpenManage* Dell Inc.'in ticari markalarıdır; *Intel, Pentium*, ve *Celeron* Intel Corporation ticari markalarıdır; *Microsoft* ve *Windows* Microsoft Corporation ticari markalarıdır.

Bu belgede, marka ve adların sahiplerine ya da ürünlerine atıfta bulunmak için başka ticari marka ve ticari adlar kullanılabilir. Dell Inc. kendine ait olanların dışındaki ticari markalar ve ticari isimlerle ilgili hiçbir mülkiyet hakkı olmadığını beyan eder.

Modeller DCTR, DCNE, DCSM, ve DCCY

Ağustos 2006

P/N KH287



Rev. A00

İçerik

Bilgi Bulma	307
Sistem Görünümleri	310
Mini Tower Bilgisayar — Önden Görünüş	310
Mini Tower Bilgisayar — Arkadan Görünüş	312
Mini Tower Bilgisayar — Arka Panel Konektörleri	313
Masaüstü Bilgisayar — Önden Görünüş	314
Masaüstü Bilgisayar — Arkadan Görünüş	316
Masaüstü Bilgisayar — Arka Panel Konektörleri	316
Small Form Factor Bilgisayar — Ön görünüm	318
Small Form Factor Bilgisayar — Arkadan Görünüş	319
Small Form Factor Bilgisayar — Arka panel konektörleri	320
Ultra-Small Form Factor Bilgisayar — Önden Görünüş	322
Ultra-Small Form Factor Bilgisayar — Yandan Görünüş	323
Ultra-Small Form Factor Bilgisayar — Arka Görünüm	323
Ultra-Small Form Factor Bilgisayar — Arka Panel Konektörler	324
Bilgisayar Kapağını Çıkarma	325
Başlamadan Önce	325
Mini Tower Bilgisayar	326
Masaüstü Bilgisayar	327
Small Form Factor Bilgisayar	328
Ultra-Small Form Factor Bilgisayar	330
Bilgisayarınızın İçi	332
Mini Tower Bilgisayar	332
Masaüstü Bilgisayar	335
Small Form Factor Bilgisayar	338
Ultra-Small Form Factor Bilgisayar	341
Bilgisayarınızı Ayarlama	343
Klavye ve Fareyi Takma	345
Monitörü Takma	345
Güç Bağlantıları	346
Sorun Çözme	346
Dell Diagnostics	346
Sistem İşıkları	349

Tanımlama Işıkları	350
Bip Kodları	352
Yazılım ve Donanım Uyuşmazlıklarını Çözümleme	353
Microsoft Windows XP Sistem Geri Yükleme Özelliğini Kullanma.	354
Microsoft Windows XP'yi Yeniden Yükleme	355
Drivers and Utilities CD'sini Kullanma	358
Bilgisayarınızın Sürücülerini	358
Dizin	359

Bilgi Bulma

-  **NOT:** Bazı özellikler veya ortamlar isteğe bağlı olabilir ve bilgisayarınızla birlikte gelmeyebilir. Bazı özellikler ve ortamlar bazı ülkelerde bulunmayabilir.
-  **NOT:** Bilgisayarınızla birlikte ek bilgi gelebilir.

Ne Arıyorsunuz?

- Bilgisayarım için bir tanılama programı
- Bilgisayarım için sürücüler
- Bilgisayarımın belgeleri
- Aygıtımın belgeleri
- Desktop System Software (DSS – Masaüstü Sistem Yazılımı)

Aradığınızı Burada Bulun

Drivers and Utilities CD'si (KaynakCD)

NOT: The *Drivers and Utilities* CD'si isteğe bağlı olabilir ve bilgisayarınızla birlikte gelmeyebilir.

Belgeler ve sürücüler bilgisayarınıza zaten yüklenmiştir. Sürücülerini yeniden yüklemek için CD'yi kullanabilirsiniz (Bkz. "Drivers and Utilities CD'sini Kullanma" sayfa 358), Dell Tanı'yı çalıştırın (see "Dell Diagnostics" sayfa 346), veya belgelerimize bakın.



Bilgisayarınızla ilgili teknik değişiklikler veya teknisyenler ve deneyimli kullanıcılar için gelişmiş başvuru malzemeleri hakkındaki son dakika güncellemelerini sağlayabilmek üzere CD'nizin içine Benioku dosyaları eklenmiş olabilir.

NOT: Sürücü ve belge güncelleştirmeleri support.dell.com web sitesinde bulunabilir.

- Parçaları nasıl çıkartabilirim ve değiştirebilirim?
- Özellikler
- Sistem ayarlarımı nasıl yapılandırabilirim?
- Sorunları nasıl giderebilirim ve çözebilirim?

Dell™ OptiPlex™ Kullanım Kılavuzu

Microsoft Windows XP Yardım ve Destek Merkezi

1 Click **Başlat** → **Yardım ve Destek** → **Dell Kullanıcı ve Sistem Kılavuzları** → **Sistem Kılavuzları**.

2 Bilgisayarınıza ait *Kullanım Kılavuzu*'nu tıklatın.

The *Kullanım Kılavuzu* isteğe bağlı *Drivers and Utilities* CD üzerinde de bulunabilir.

Ne Arıyorsunuz?

- Garanti bilgileri
- Hükümler ve Koşullar (sadece ABD)
- Güvenlik yönergeleri
- Düzenleyici bilgiler
- Ergonomi bilgileri
- Son Kullanıcı Lisans Sözleşmesi

Aradığınızı Burada Bulun

Dell™ Ürün Bilgisi Kılavuzu



- İşletim sistemimi nasıl yeniden yüklerim?

İşletim Sistemi CD'si

NOT: İşletim Sistemi CD'si isteğe bağlı olabilir ve bilgisayarınızla birlikte gelmeyebilir.

İşletim sistemi bilgisayarınıza zaten yüklenmiştir. İşletim sisteminizi yeniden kurmak için, İşletim Sistemi CD'sini kullanın (Bkz. "Microsoft Windows XP'yi Yeniden Yükleme" sayfa 355).



İşletim sisteminizi yeniden kurduktan sonra, bilgisayarınızla birlikte gelen aygıtlara ait sürücülerini yüklemek üzere isteğe bağlı *Drivers and Utilities* CD'sini kullanın (*KaynakCD*). Daha fazla bilgi için bkz. "Drivers and Utilities CD'si (*KaynakCD*)" sayfa 307.

İşletim sistemi ürün kodu etiketi bilgisayarınızın üstünde bulunmaktadır (Bkz. "Servis Etiketi ve Microsoft® Windows® Ürün Kodu" sayfa 309).

NOT: İşletim Sistemi CD'sinin rengi sipariş verdiğiniz işletim sistemine göre değişir.

- Windows XP'yi nasıl kullanırım?
- Programlar ve dosyalarla nasıl çalışmalı
- Masaüstü'm nasıl kişiselleştirilebilir

Windows Yardım ve Destek Merkezi

- 1 **Başlat** → **Yardım ve Destek**'i tıklayın.
- 2 Sorununuzu belirten bir sözcük veya tümcecik girin ve ok simgesini tıklayın.
- 3 Sorununuzu açıklayan konuyu tıklayın.
- 4 Ekrandaki yönergeleri izleyin.

Ne Arıyorsunuz?

- Service Tag (Servis Etiketi) ve Express Service Code (Hızlı Servis Kodu)
- Microsoft Windows Ürün Kodu Etiketi

Aradığınızı Burada Bulun

Servis Etiketi ve Microsoft® Windows® Ürün Kodu

Bu etiketler bilgisayarınızın üzerindedir.

- **support.dell.com** veya destek ile iletişim kurduğunuzda bilgisayarınızı tanımlamak için Servis Etiketi'ni kullanın.
- Destek ile iletişim kurduğunuzda çağırınızı yönlendirmek için Acele Hizmet Kodu'nu girin.



- Çözümler — Sorun Giderme ipuçları ve püf noktaları, teknisyenlerden makaleler, çevrimiçi kurslar ve sık sorulan sorular
- Topluluk — Diğer Dell müşterileriyle çevrimiçi tartışma
- Yükseltmeler — Bellek, sabit disk ve işletim sistemi gibi bileşenler için yükseltme bilgileri
- Müşteri Memnuniyeti — İletişim bilgileri, servis çağırma ve diğer durumlar, ve garanti ve onarım bilgileri
- Servis ve Destek — Servis çağırma durumu, destek tarihçesi, servis sözleşmesi, ve desteğe yönelik çevrimiçi görüşmeler
- Başvuru — Bilgisayar belgeleri, bilgisayar yapılandırma bilgileri, ürün özellikleri ve teknik belgeler
- Yükleme — Onaylı sürücüler, düzeltme ekleri ve yazılım güncelleştirmeleri
- Masaüstü Sistem Yazılımı (DSS) — Bilgisayarınıza işletim sistemini yeniden kurarsanız, DSS yardımcı programını da yeniden kurmanız gerekir. DSS, otomatik olarak bilgisayarınızı ve işletim sisteminizi algılar ve işletim sisteminiz ve Dell™ 3.5-inç USB disket sürücüler, Intel® işlemcileri, optik sürücüler ve USB aygıtları için gereken kritik güncelleştirmeleri de sağlayarak, yapılandırmanız için gereken güncelleştirmeleri yükler. Dell bilgisayarınızın doğru çalışması için DSS gereklidir.

Dell Destek Web sitesi — support.dell.com

NOT: İlgili destek sitesini görmek için bölgenizi ve iş alanınızı seçin.

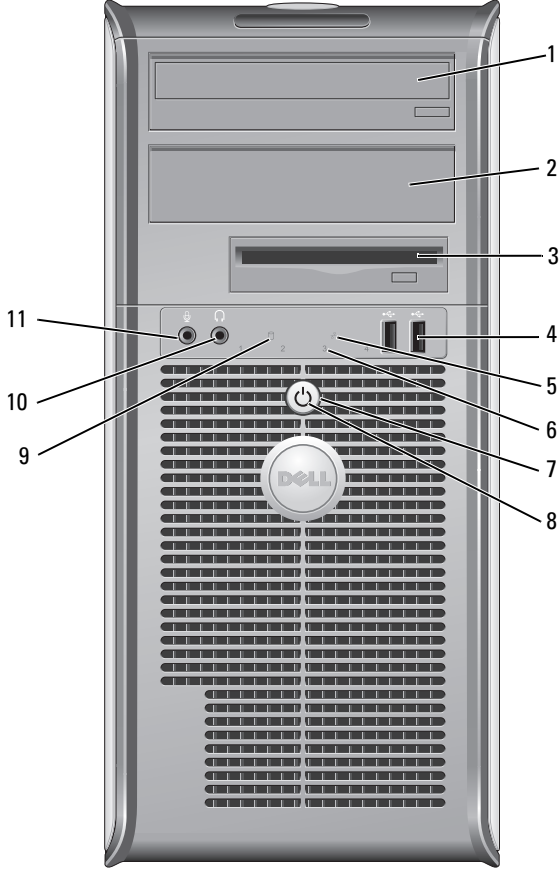
Masaüstü Sistem Yazılımı'nı yüklemek için:

- 1 **support.dell.com** adresine gidin, bölgenizi ve iş alanınızı seçip Servis Etiketi'nizi girin.
- 2 **Sürücüler ve Yükleme**'i seçin sonra **Git**'i tıklayın.
- 3 İşletim sisteminizi tıklayın ve *Masaüstü Sistem Yazılımı* anahtar sözcüğünü aratın.



NOT: **support.dell.com** kullanıcı arayüzü seçimlerinize göre değişebilir.

Sistem Görünümleri

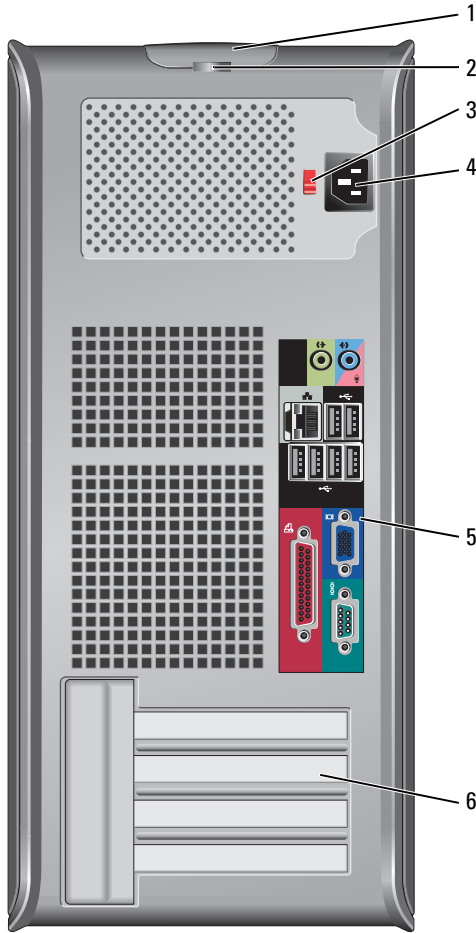
Mini Tower Bilgisayar — Önden Görünüş



- | | | |
|---|-------------------------|-------------------------------------------------------------------------------------------|
| 1 | 5.25-inç sürücü bölmesi | Bir optik sürücü bulundurabilir. Bu sürücüye bir CD veya DVD (destekliyorsa) yerleştirin. |
| 2 | 5.25-inç sürücü bölmesi | Bir optik sürücü bulundurabilir. Bu sürücüye bir CD veya DVD (destekliyorsa) yerleştirin. |
| 3 | 3.5-inç sürücü bölmesi | İsteğe bağlı bir disket sürücü veya isteğe bağlı bir ortam kart okuyucusu bulundurabilir. |

- 4 USB 2.0 konektörleri (2) Ara sıra kullandığınız oyun çubukları, kameralar veya önyüklenabilir USB aygıtları için öndeki USB konektörlerini kullanın (bir USB aygıtından önyükleme hakkında daha fazla bilgi için çevrimiçi *Kullanım Kılavuzu*'na bakın).
- Yazıcılar ve klavyeler gibi normalde bağlı kalan aygıtlar için arka USB konektörlerini kullanmanız önerilir.
- 5 LAN gösterge ışığı Bu ışık bir LAN (yerel alan ağı) bağlantısının kurulduğunu gösterir.
- 6 tanılama ışıkları Bilgisayar sorunlarını tanılama koduna göre gidermenize yardımcı olması için bu ışıkları kullanın. Daha fazla bilgi için bkz. "Tanılama Işıkları" sayfa 350.
- 7 güç düğmesi Bilgisayarı açmak için bu düğmeye basın.
-  **DİKKAT:** Veri kaybını önlemek için bilgisayarınızı güç düğmesine basarak kapatmayın. Bunun yerine, işletim sisteminden kapatın. Daha fazla bilgi için, Bkz.: "Başlamadan Önce" sayfa 325.
-  **DİKKAT:** İşletim sisteminizde ACPI etkinse, güç düğmesine bastığınızda bilgisayar işletim sisteminden kapanır.
- 8 güç ışığı Güç ışığı, farklı işletim modlarını göstermek üzere yanar, yanıp söner veya sabit kalır:
- Işık yok — Bilgisayar kapalıdır.
 - Sabit yeşil — Bilgisayar normal çalışma durumundadır.
 - Yanıp sönen yeşil — Bilgisayar güç tasarrufu modundadır.
 - Yanıp söner veya koyu sarı sabit — Çevrimiçi *Kullanım Kılavuzu*'na bakın.
- Güç tasarrufu modundan çıkmak için güç düğmesine basın veya Windows Aygıt Yöneticisi'nde uyandırma aygıtı olarak yapılandırılmışsa klavyeyi veya fareyi kullanın. Uyku modları ve güç tasarrufu modundan çıkma hakkında daha fazla bilgi için, çevrimiçi *Kullanım Kılavuzu*'na bakın.
- Bilgisayarınızın sorunlarını gidermenizde yardımcı olabilecek ışık kodlarının açıklaması için, bkz. "Sistem Işıkları" sayfa 349.
- 9 sabit disk etkinlik ışığı Bir sabit sürücüye erişildiğinde bu ışık yanıp söner.
- 10 kulaklık konektörü Kulaklıkları ve hoparlör türlerinin çoğunu bağlamak için kulaklık konektörünü kullanın.
- 11 mikrofon konektörü Mikrofon bağlamak için mikrofon konektörünü kullanın.

Mini Tower Bilgisayar — Arkadan Görünüş



- 1 kapak açma mandalı
- 2 asma kilit halkası
- 3 voltaj seçme anahtarı

Bu mandal, bilgisayar kapağını açmanızı sağlar.

Bilgisayar kapağını kilitlemek için bir asma kilit takın.

Bilgisayarınızda el ile çalışan voltaj seçme anahtarı bulunmaktadır.

El ile çalışan voltaj seçim anahtarına sahip bilgisayarların zarar görmesini önlemek için, anahtarı bölgenizde kullanılan AC gücüne en yakın voltaja ayarlayın.

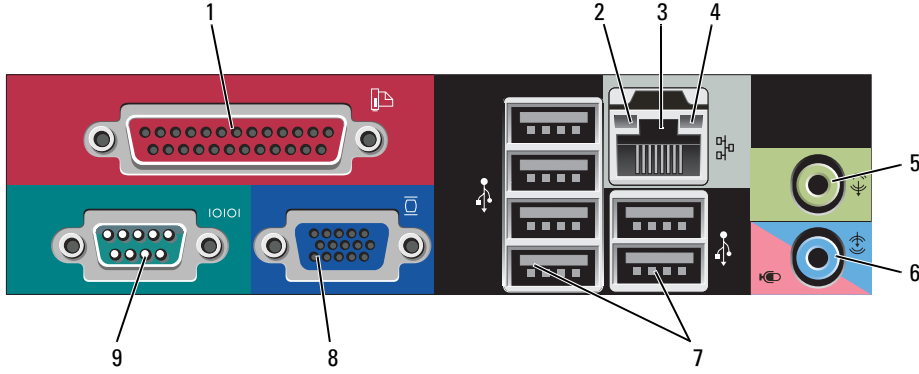


DİKKAT: Japonya'da AC gücü 100 V olmakla birlikte, voltaj seçim anahtarı 115-V konumuna ayarlanmalıdır.

Ayrıca monitörünüzün ve bağlı aygıtlarınızın nominal elektrik değerlerinin bölgenizde kullanılan AC gücüyle çalışmaya uygun olduğundan emin olun.

- | | | |
|---|-------------------------|-----------------------------------------------------------------------------------------------------------------------------------|
| 4 | güç konektörü | Güç kablosunu yerleştirin. |
| 5 | arka panel konektörleri | Seri, USB ve diğer aygıtları ilgili konektörlere yerleştirin (Bkz.: "Mini Tower Bilgisayar — Arka Panel Konektörleri" sayfa 313). |
| 6 | kart yuvaları | Takılı PCI ve PCI Express kartlarına erişim. |

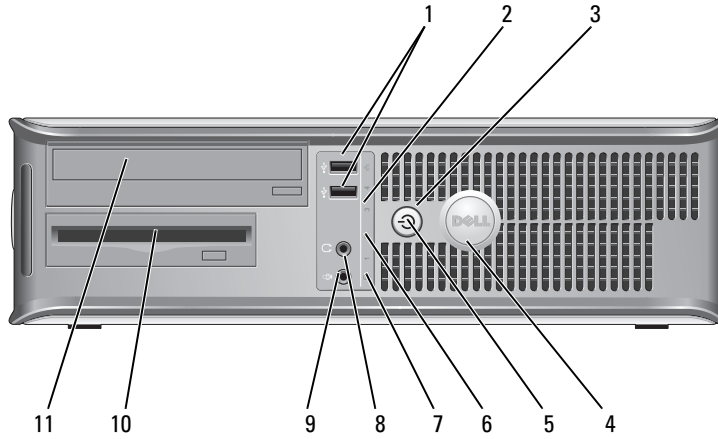
Mini Tower Bilgisayar — Arka Panel Konektörleri





- | | | |
|---|-----------------------------|------------------------------------------------------------------------------------------------------------------------------------------------------------------------------------------------------------------------------------------------------------------------------------------------------------------------------------------------------------------------------------------------------------------------------------------------------------------------------------------------------------------------------------------------------------------------------------------------------------------------------------------|
| 1 | paralel bağlantı konektörü | Yazıcı gibi paralel aygıtları paralel bağlantı konektörüne bağlayın. USB yazıcınız varsa, bunu USB konektörüne takın.
NOT: Bilgisayar, aynı adrese yapılandırılmış paralel konektör içeren bir kart takılı olduğunu algıladığında, tümleşik paralel konektör otomatik olarak devre dışı bırakılır. Bilgi için, çevrimiçi Kullanım Kılavuzu'na bakın. |
| 2 | bağlantı bütünlüğü ışığı | <ul style="list-style-type: none"> • Yeşil — 10 Mb/sn ağ ve bilgisayar arasında iyi bir bağlantı var. • Turuncu — 100 Mb/sn ağ ve bilgisayar arasında iyi bir bağlantı var. • Sarı — 1 Gb/sn (veya 1000 Mb/sn) ağ ve bilgisayar arasında iyi bir bağlantı var. • Kapalı — Bilgisayar ağa fiziksel bir bağlantı algılayamadı. |
| 3 | ağ bağdaştırıcısı konektörü | Bilgisayarınızı ağa veya geniş bant aygıtına bağlamak için, ağ kablosunun bir ucunu ağ prizine veya ağ ya da geniş bant aygıtınıza bağlayın. Ağ kablosunun diğer ucunu bilgisayarınızın arka panelindeki ağ bağdaştırıcısı konektörüne takın. Ağ kablosu tam olarak yerine oturduğunda bir tık sesi duyarsınız.
NOT: Ağ konektörüne telefon kablosu takmayın.
Ağ bağlantısı kartı olan bilgisayarlarda, kart üzerindeki konektörü kullanın.
Ağınız için Kategori 5 kablo ve konektör kullanmanız önerilir. Kategori 3 kablo kullanmanız gerekiyorsa, güvenilir çalışmasını sağlamak için ağ hızını 10 Mb/sn'ye zorlayın. |
| 4 | ağ etkinlik ışığı | Bilgisayar ağdan veri aldığı veya ağa veri gönderdiğinde sarı bir ışık yanıp sönecektir. Yüksek hacimli ağ trafiği, bu ışığın sürekli "açık" durumda görünmesine yol açabilir. |

- 5 çıkış konektörü Entegre amplifikatörlü hoparlörleri bağlamak üzere yeşil çıkış konektörünü kullanın.
- 6 giriş/mikrofon konektörü Bir kaset çalar, CD çalar veya VCR gibi kayıt veya çalma aygıtları, veya bir ses veya telefon programı için ses veya müzik girişi yapmak üzere kişisel bilgisayar mikrofonu bağlamak üzere mavi ve pembe giriş/mikrofon konektörünü kullanın.
- 7 USB 2.0 konektörleri (6) Yazıcı ve klavye gibi genellikle bağlı kalan aygıtlar için arka USB konektörlerini kullanın.
- 8 video konektörü Kabloyu takın VGA uyumlu kablosunu mavi konektöre takın.
NOT: İsteğe bağlı bir grafik kartı satın aldıysanız, bu konektör bir kapakçıkla kapatılmış olacaktır. Monitörünüzü grafik kartındaki konektöre takın. Kapakçığı çıkartmayın.
NOT: Çift monitör destekleyen bir grafik kartı kullanıyorsanız, bilgisayarınızla birlikte gelen y kablosunu kullanın.
- 9 seri bağlantı konektörü El bilgisayarı gibi seri aygıtları seri bağlantı noktasına bağlayın. COM1, seri bağlantı konektörü 1 için, COM2 de seri bağlantı konektörü 2 için varsayılan addır.
Daha fazla bilgi için çevrimiçi *Kullanım Kılavuzu*'na bakın.

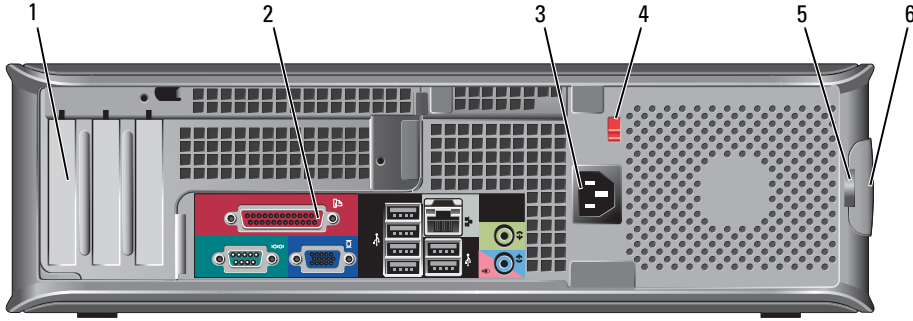
Masaüstü Bilgisayar — Önden Görünüş



- 1 USB 2.0 konektörleri (2) Ara sıra kullandığınız oyun çubukları, kameralar veya önyüklenebilir USB aygıtları için öndeki USB konektörlerini kullanın (bir USB aygıtından önyükleme hakkında daha fazla bilgi için çevrimiçi *Kullanım Kılavuzu*'na bakın).
Yazıcılar ve klavyeler gibi normalde bağlı kalan aygıtlar için arka USB konektörlerini kullanmanız önerilir.
- 2 LAN gösterge ışığı Bu ışık bir LAN (yerel alan ağı) bağlantısının kurulduğunu gösterir.

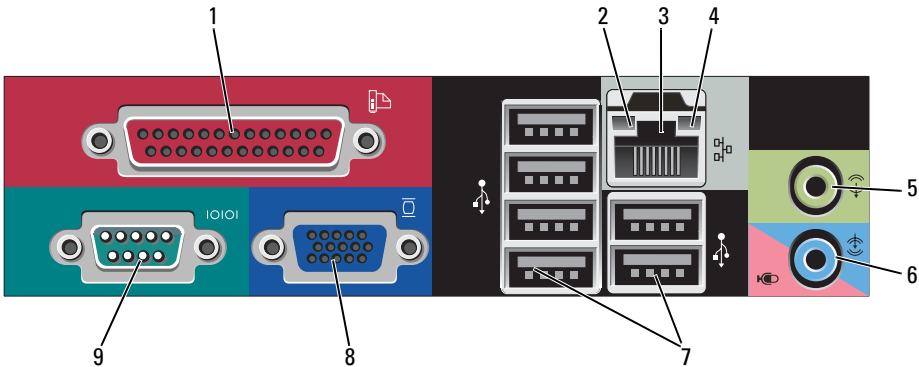
- 3 güç düğmesi Bilgisayarı açmak için bu düğmeye basın.
-  **DİKKAT:** Veri kaybını önlemek için bilgisayarınızı güç düğmesine basarak kapatmayın. Bunun yerine, işletim sisteminden kapatın. Daha fazla bilgi için Bkz.: "Başlamadan Önce" sayfa 325.
-  **DİKKAT:** İşletim sisteminizde ACPI etkinse, güç düğmesine bastığınızda bilgisayar işletim sisteminden kapanır.
- 4 Dell rozeti Bu rozet bilgisayarınızın yönüyle eşleşecek şekilde döndürülebilir. Döndürmek için, parmaklarınızı rozetin kenarına yerleştirin, iyice bastırın ve rozeti döndürün. Rozetin alt kısmındaki yuvayı kullanarak da rozeti döndürebilirsiniz.
- 5 güç ışığı Farklı çalışma durumlarını belirtmek için güç ışığı yanar ve yanıp söner veya sabit kalır:
- Işık yok — Bilgisayar kapalıdır.
 - Sabit yeşil — Bilgisayar normal çalışma durumundadır.
 - Yanıp sönen yeşil — Bilgisayar güç tasarrufu modundadır.
 - Yanıp sönmeye veya sürekli sarı — Bkz.: çevrimiçi *Kullanım Kılavuzu*.
- Güç tasarrufu modundan çıkmak için güç düğmesine basın veya Windows Aygıt Yöneticisi'nde uyandırma aygıtı olarak yapılandırılmışsa klavyeyi veya fareyi kullanın. Uyku modları ve güç tasarrufu modundan çıkma hakkında daha fazla bilgi için, çevrimiçi *Kullanım Kılavuzu*'na bakın.
- Bilgisayarınızın sorunlarını gidermenizde yardımcı olabilecek ışık kodlarının açıklaması için, bkz. "Sistem Işıkları" sayfa 349.
- 6 tanılama ışıkları Bilgisayar sorunlarını tanılama koduna göre gidermenize yardımcı olması için bu ışıkları kullanın. Bilgi için, "Tanılama Işıkları" sayfa 350.
- 7 sabit disk etkinlik ışığı Bir sabit sürücüye erişildiğinde bu ışık yanıp söner.
- 8 kulaklık konektörü Kulaklıkları ve hoparlör türlerinin çoğunu bağlamak için kulaklık konektörünü kullanın.
- 9 mikrofon konektörü Mikrofon bağlamak için mikrofon konektörünü kullanın.
- 10 3.5-inç sürücü bölmesi Bir isteğe bağlı disket sürücü veya isteğe bağlı Ortam Kart Okuyucu bulundurabilir.
- 11 5.25-inç sürücü bölmesi Bir optik sürücü bulundurabilir. Bu sürücüye bir CD veya DVD (destekliyse) yerleştirin.

Masaüstü Bilgisayar — Arkadan Görünüş



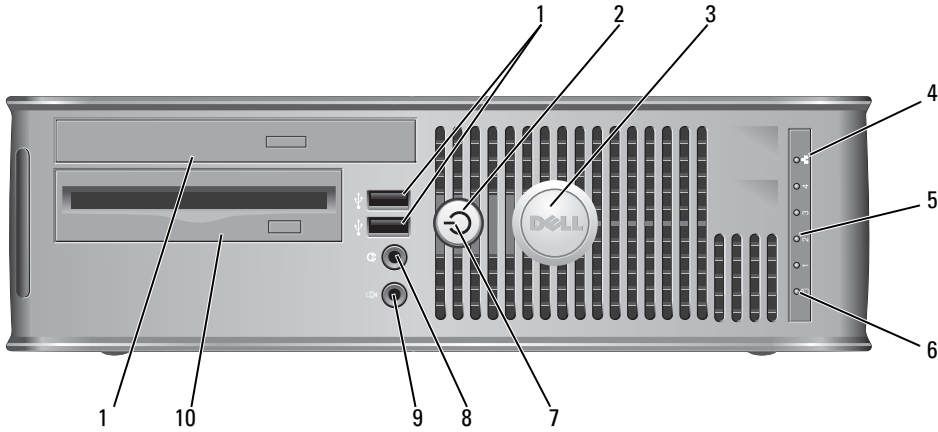
- | | | |
|---|-------------------------|--------------------------------------------------------------------------------------------------------------------------------------------------------------------------------------------------------------------------------------------------------------------------------------------------------------------------------------------------------------------------------------------------------------------------------------------------------------------------------------------|
| 1 | kart yuvaları | Takılı PCI ve PCI Express kartlarına erişim. |
| 2 | arka panel konektörleri | Seri, USB ve diğer aygıtları uygun konektörlere yerleştirin (Bkz.: "Masaüstü Bilgisayar — Arka Panel Konektörleri" sayfa 316). |
| 3 | güç konektörü | Güç kablosunu yerleştirin. |
| 4 | voltaj seçme düğmesi | Bilgisayarınızda el ile kullanılan voltaj seçim düğmesi vardır.
El ile kullanılan voltaj seçim düğmesini ayarlarken bilgisayarın hasar görmemesi için düğmeyi bölgenizdeki AC akımına en yakın konuma getirin.
➔ DİKKAT: Japonya'da AC gücü 100 V olmakla birlikte, voltaj seçim anahtarı 115-V konumuna ayarlanmalıdır.
Ayrıca monitörünüzün ve bağlı aygıtlarınızın nominal elektrik değerlerinin bölgenizde kullanılan AC gücüyle çalışmaya uygun olduğundan emin olun. |
| 5 | asma kilit halkası | Bilgisayar kapağını kilitlemek için bir asma kilit takın. |
| 6 | kapak açma mandalı | Bilgisayar kapağını açmanıza izin verir. |

Masaüstü Bilgisayar — Arka Panel Konektörleri



- 1 paralel bağlantı konektörü Yazıcı gibi paralel aygıtları paralel bağlantı konektörüne bağlayın. USB yazıcınız varsa, bunu USB konektörüne takın.
NOT: Bilgisayar, aynı adrese yapılandırılmış paralel konektör içeren bir kart takılı olduğunu algıladığında, tümleşik paralel konektör otomatik olarak devre dışı bırakılır. Bilgi için, çevrimiçi *Kullanım Kılavuzu*'na bakın.
- 2 bağlantı bütünlüğü ışığı
 - Yeşil — 10 Mb/sn ağ ve bilgisayar arasında iyi bir bağlantı var.
 - Turuncu — 100 Mb/sn ağ ve bilgisayar arasında iyi bir bağlantı var.
 - Sarı — 1 Gb/sn (veya 1000 Mb/sn) ağ ve bilgisayar arasında iyi bir bağlantı var.
 - Kapalı — Bilgisayar ağa fiziksel bir bağlantı algılayamadı.
- 3 ağ bağdaştırıcısı konektörü Bilgisayarınızı ağa veya geniş bant aygıtına bağlamak için, ağ kablosunun bir ucunu ağ prizine veya ağ ya da geniş bant aygıtınıza bağlayın. Ağ kablosunun diğer ucunu bilgisayarınızın arka panelindeki ağ bağdaştırıcısı konektörüne takın. Ağ kablosu tam olarak yerine oturduğunda bir tık sesi duyarsınız.
NOT: Ağ konektörüne telefon kablosu takmayın.
Ağ konektörü kartı olan bilgisayarlarda kart üzerindeki konektörü kullanın.
Ağımız için Kategori 5 kablo ve konektör kullanmanız önerilir. Kategori 3 kablo kullanmanız gerekiyorsa, güvenilir çalışmasını sağlamak için ağ hızını 10 Mb/sn'ye zorlayın.
- 4 ağ etkinlik ışığı Bilgisayar ağdan veri aldığı veya ağa veri gönderdiğinde sarı bir ışık yanıp sönecektir. Yüksek hacimli ağ trafiği, bu ışığın sürekli "açık" durumda görünmesine yol açabilir.
- 5 çıkış konektörü Entegre amplifikatörlü hoparlörleri bağlamak üzere yeşil çıkış konektörünü kullanın.
- 6 giriş/mikrofon konektörü Bir kaset çalar, CD çalar veya VCR gibi kayıt veya çalma aygıtları, veya bir ses veya telefon programı için ses veya müzik girişi yapmak üzere kişisel bilgisayar mikrofonu bağlamak üzere mavi ve pembe giriş/mikrofon konektörünü kullanın.
- 7 USB 2.0 konektörleri (6) Yazıcı ve klavye gibi genellikle bağlı kalan aygıtlar için arka USB konektörlerini kullanın.
- 8 video konektörü VGA uyumlu monitörünüzün kablosunu mavi konektöre takın.
NOT: İsteğe bağlı bir grafik kartı satın aldıysanız, bu konektör bir kapakçıkla kapatılmış olacaktır. Monitörünüzü grafik kartındaki konektöre takın. Kapakçığı çıkartmayın.
NOT: Çift monitör destekleyen bir grafik kartı kullanıyorsanız, bilgisayarınızla birlikte gelen y kablosunu kullanın.
- 9 seri bağlantı konektörü El bilgisayarı gibi seri aygıtları seri bağlantı noktasına bağlayın. COM1, seri bağlantı konektörü 1 için, COM2 de seri bağlantı konektörü 2 için varsayılan addır.
Daha fazla bilgi için çevrimiçi *Kullanım Kılavuzu*'na bakın.

Small Form Factor Bilgisayar — Ön görünüm



- 1 USB 2.0 konektörleri (2) Ara sıra kullandığınız oyun çubukları, kameralar veya önyüklenabilir USB aygıtları için öndeki USB konektörlerini kullanın (bir USB aygıtından önyükleme hakkında daha fazla bilgi için çevrimiçi *Kullanım Kılavuzu*'na bakın).

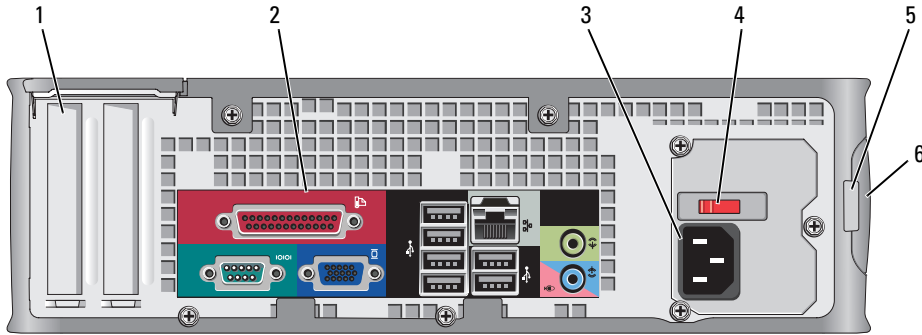
Yazıcılar ve klavyeler gibi normalde bağlı kalan aygıtlar için arka USB konektörlerini kullanmanız önerilir.
- 2 güç düğmesi Bilgisayarı açmak için basın.

⏻ DİKKAT: Veri kaybını engellemek için bilgisayarınız güç düğmesine basarak kapatmayın. Bunun yerine, işletim sisteminden kapatın. Daha fazla bilgi için, Bkz.: "Başlamadan Önce" sayfa 325.

⏻ DİKKAT: İşletim sisteminizde ACPI etkinse, güç düğmesine bastığınızda bilgisayar işletim sisteminden kapanır.
- 3 Dell rozeti Bilgisayarınızın yönelimine uyum sağlaması için döndürülebilir. Döndürmek için, parmaklarınızı rozetin kenarına yerleştirin, iyice bastırın ve rozeti döndürün. Rozetin alt kısmındaki yuvayı kullanarak da rozeti döndürebilirsiniz.
- 4 LAN gösterge ışığı Bir LAN (yerel alan ağı) bağlantısının kurulduğunu gösterir.
- 5 tanılama ışıkları Bilgisayar sorunlarını tanılama koduna göre gidermenize yardımcı olması için bu ışıkları kullanın. Daha fazla bilgi için bkz. "Tanılama Işıkları" sayfa 350.
- 6 sabit disk etkinlik ışığı Bir sabit sürücüye erişildiğinde bu ışık yanıp söner.

- 7 güç ışığı Farklı çalışma durumlarını belirtmek için güç ışığı yanar ve yanıp söner veya sabit kalır:
- Işık yok — Bilgisayar kapalıdır.
 - Sabit yeşil — Bilgisayar normal çalışma durumundadır.
 - Yanıp sönen yeşil — Bilgisayar güç tasarrufu modundadır.
 - Yanıp sönen veya sabit sarı — Bkz.: çevrimiçi *Kullanım Kılavuzu*.
- Güç tasarrufu modundan çıkmak için güç düğmesine basın veya Windows Aygıt Yöneticisi'nde uyandırma aygıtı olarak yapılandırılmışsa klavyeyi veya fareyi kullanın. Uyku modları ve güç tasarrufu modundan çıkma hakkında daha fazla bilgi için, çevrimiçi *Kullanım Kılavuzu*'na bakın.
- Bilgisayarınızdaki sorunları gidermenize yardımcı olmak üzere ışık kodlarının açıklamaları için "Sistem Işıkları" sayfa 349 bilgilerine bakın.
- 8 kulaklık konektörü Kulaklıkları ve hoparlör türlerinin çoğunu bağlamak için kulaklık konektörünü kullanın.
- 9 mikrofon konektörü Mikrofon bağlamak için mikrofon konektörünü kullanın.
- 10 3.5-inç sürücü bölmesi İsteğe bağlı bir disket sürücü veya isteğe bağlı bir ortam kart okuyucusu bulundurabilir.
- 11 5.25-inç sürücü bölmesi Bir optik sürücü bulundurabilir. Bu sürücüye bir CD veya DVD (destekliyorsa) yerleştirin.

Small Form Factor Bilgisayar — Arkadan Görünüş



- 1 kart yuvaları Takılı PCI ve PCI Express kartlarına erişim.
- 2 arka panel konektörleri Seri, USB ve diğer aygıtları ilgili konektörlere yerleştirin (Bkz.: "Small Form Factor Bilgisayar — Arka panel konektörleri" sayfa 320).
- 3 güç konektörü Güç kablosunu yerleştirin.

4 voltaj seçme anahtarı

Bilgisayarınızda el ile çalışan voltaj seçme anahtarı bulunmaktadır.

El ile kullanılan voltaj seçim düğmesini ayarlarken bilgisayarın hasar görmemesi için düğmeyi bölgenizdeki AC akımına en yakın konuma getirin.



DİKKAT: Japonya'da AC gücü 100 V olmakla birlikte, voltaj seçim anahtarı 115-V konumuna ayarlanmalıdır.

Ayrıca monitörünüzün ve bağlı aygıtlarınızın nominal elektrik değerlerinin bölgenizde kullanılan AC gücüyle çalışmaya uygun olduğundan emin olun.

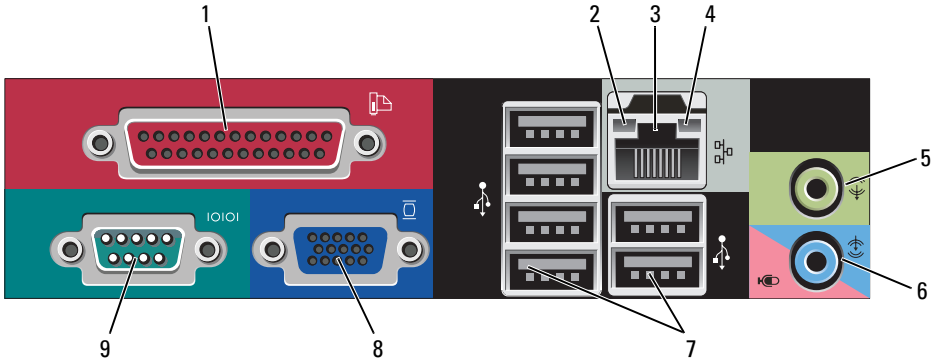
5 asma kilit halkası

Bilgisayar kapağını kilitlemek için bir asma kilit takın.

6 kapak açma mandalı

Bu mandal, bilgisayar kapağını açmanızı sağlar.

Small Form Factor Bilgisayar — Arka panel konektörleri



1 paralel bağlantı konektörü

Yazıcı gibi paralel aygıtları paralel bağlantı konektörüne bağlayın. USB yazıcınız varsa, bunu USB konektörüne takın.

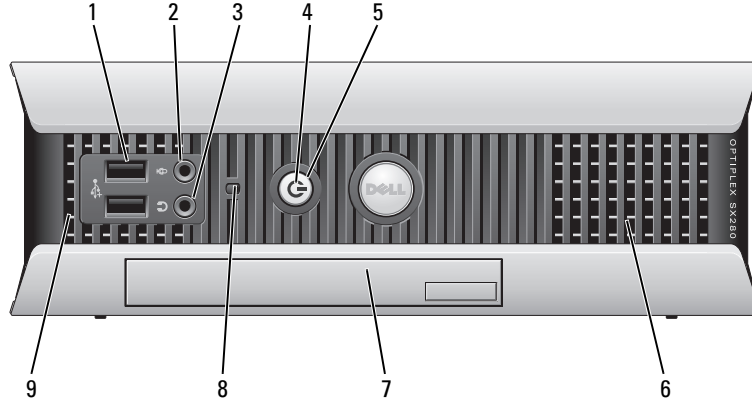
NOT: Bilgisayar, aynı adrese yapılandırılmış paralel konektör içeren bir kart takılı olduğunu algıladığında, tümleşik paralel konektör otomatik olarak devre dışı bırakılır. Bilgi için, çevrimiçi *Kullanım Kılavuzu*'na bakın.

2 bağlantı bütünlüğü ışığı

- Yeşil — 10 Mb/sn ağ ve bilgisayar arasında iyi bir bağlantı var.
- Turuncu — 100 Mb/sn ağ ve bilgisayar arasında iyi bir bağlantı var.
- Sarı — 1 Gb/sn (veya 1000 Mb/sn) ağ ve bilgisayar arasında iyi bir bağlantı var.
- Kapalı — Bilgisayar ağa fiziksel bir bağlantı algılamadı.

- 3 ağ bağıdaştırıcısı konektörü Bilgisayarınızı ağı veya geniş bant aygıtına bağılamak için, ağ kablosunun bir ucunu ağ prizine veya ağ ya da geniş bant aygıtınıza bağılayın. Ağ kablosunun diđer ucunu bilgisayarınızın arka panelindeki ağ bağıdaştırıcısı konektörüne takın. Ağ kablosu tam olarak yerine oturduğunda bir tık sesi duyarsınız.
NOT: Ağ konektörüne telefon kablosu takmayın.
Ağ bağılantısı kartı olan bilgisayarlarda, kart üzerindeki konektörü kullanın.
Ağınız için Kategori 5 kablo ve konektör kullanmanız önerilir. Kategori 3 kablo kullanmanız gerekiyorsa, güvenilir çalıřmasını sağılamak için ağ hızını 10 Mb/sn'ye zorlayın.
- 4 ağ etkinlik ışığı Bilgisayar ağdan veri aldığında veya ağı veri gönderdiğinde sarı bir ışık yanıp sönecektir. Yüksek hacimli ağ trafiğı, bu ışığın sürekli "açık" durumda görünmesine yol açabilir.
- 5 çıkıř konektörü Entegre amplifikatörleri olan birçok hoparlörü bağılamak için yeřil çıkıř konektörünü kullanın (entegre ses sistemi olan bilgisayarlarda bulunur).
- 6 giriř/mikrofon konektörü Bir kaset çalar, CD çalar veya VCR gibi kayıt veya çalma aygıtları, veya bir ses veya telefon programı için ses veya müzik giriři yapmak üzere kişisel bilgisayar mikrofonu bağılamak üzere mavi ve pembe giriř/mikrofon konektörünü kullanın (entegre ses düzeni olan bilgisayarlarda vardır).
- 7 USB 2.0 konektörleri (6) Yazıcı ve klavye gibi genellikle bağılı kalan aygıtlar için arka USB konektörlerini kullanın.
- 8 video konektörü VGA uyumlu monitörünüzün monitörünüzün monitörünüzün kablosunu mavi konektöre takın.
NOT: İsteğe bağılı bir grafik kartı satın aldıysanız, bu konektör bir kapakçıkla kapatılmıř olacaktır. Monitörünüzü grafik kartındaki konektöre takın. Kapakçığı çıkartmayın.
NOT: Çift monitör destekleyen bir grafik kartı kullanıyorsanız, bilgisayarınızla birlikte gelen y kablosunu kullanın.
- 9 seri bağılantı konektörü El bilgisayarı gibi seri aygıtları seri bağılantı noktasına bağılayın. COM1, seri bağılantı konektörü 1 için, COM2 de seri bağılantı konektörü 2 için varsayılan addır.
Daha fazla bilgi için çevrimiçi *Kullanım Kılavuzu*'na bakın.

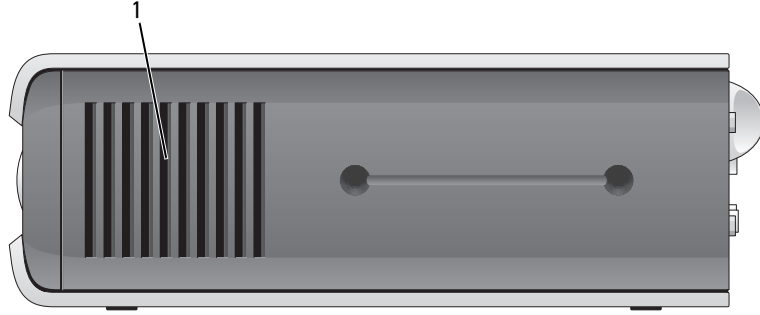
Ultra-Small Form Factor Bilgisayar — Önden Görünüş



- 1 USB konektörleri (2) Ara sıra kullandığınız oyun çubukları, kameralar veya önyüklenabilir USB aygıtları için öndeki USB konektörlerini kullanın (bir USB aygıtından önyükleme hakkında daha fazla bilgi için çevrimiçi *Kullanım Kılavuzu*'na bakın).
Yazıcılar ve klavyeler gibi normalde bağlı kalan aygıtlar için arka USB konektörlerini kullanmanız önerilir.
- 2 kulaklık konektörü Kulaklıkları ve hoparlör türlerinin çoğunu bağlamak için kulaklık konektörünü kullanın.
- 3 mikrofon konektörü Mikrofon bağlamak için mikrofon konektörünü kullanın.
- 4 güç ışığı Güç ışığı, farklı durumları göstermek üzere yanar, yanıp söner veya sabit kalır:
 - Işık yok — Bilgisayar kapalı.
 - Sabit yeşil — Bilgisayar normal çalışma durumundadır.
 - Yanıp sönen yeşil — Bilgisayar güç tasarrufu modundadır.
 - Yanıp sönen veya sabit sarı — Bkz.: çevrimiçi *Kullanım Kılavuzu*.Güç tasarrufu modundan çıkmak için güç düğmesine basın veya Windows Aygıt Yöneticisi'nde uyandırma aygıtı olarak yapılandırılmışsa klavyeyi veya fareyi kullanın. Uyku modları ve güç tasarrufu modundan çıkma hakkında daha fazla bilgi için, çevrimiçi *Kullanım Kılavuzu*'na bakın.
Bilgisayarınızın sorunlarını gidermenizde yardımcı olabilecek ışık kodlarının açıklaması için, bkz. "Sistem Işıkları" sayfa 349
- 5 güç düğmesi Bilgisayarı açmak için bu düğmeye basın.
➔ DİKKAT: Veri kaybını önlemek için bilgisayarınızı güç düğmesine basarak kapatmayın. Bunun yerine, işletim sisteminden kapatın. Daha fazla bilgi için, Bkz.: "Başlamadan Önce" sayfa 325.
- 6 havalandırma delikleri Bu havalandırma delikleri bilgisayarını aşırı ısınmaktan korurlar. Düzgün havalandırma sağlamak için bu soğutma deliklerini kapatmayın.

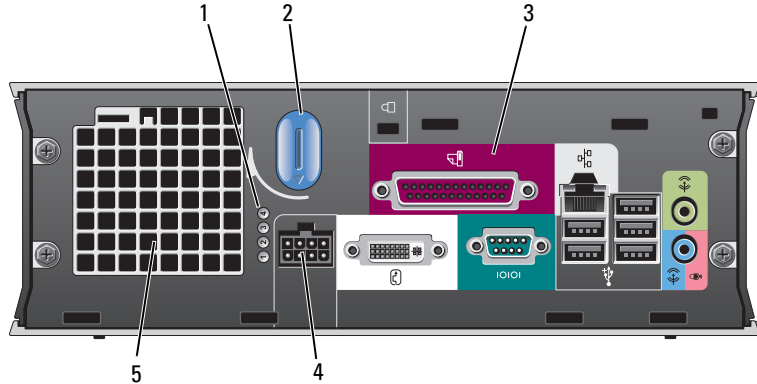
- | | | |
|---|-------------------------|-------------------------------------------------------------------------------------------------------------------------------------------------------------------|
| 7 | modül yuvası | Modül yuvasına, D-modül optik sürücü, ikinci sabit disk veya disket sürücü yerleştirin. |
| 8 | sabit disk erişim ışığı | Sabit disk erişim ışığı, bilgisayar sabit diskten veri okurken veya sabit diske veri yazarken yanar. Bu ışık CD oynatıcı gibi aygıtlar çalıştığında da yanabilir. |
| 9 | havalandırma delikleri | Bu havalandırma delikleri bilgisayarın aşırı ısınmaktan korurlar. Düzgün havalandırma sağlamak için bu soğutma deliklerini kapatmayın. |

Ultra-Small Form Factor Bilgisayar — Yandan Görünüş



- | | | |
|---|------------------------|-------------------------------------------------------------------------------------------------------------------------------------------------------------------------------------------------|
| 1 | havalandırma delikleri | Bu havalandırma delikleri bilgisayarınızın her iki tarafına yerleştirilmiş olup bilgisayarınızı aşırı ısınmaktan korurlar. Düzgün havalandırma sağlamak için bu soğutma deliklerini kapatmayın. |
|---|------------------------|-------------------------------------------------------------------------------------------------------------------------------------------------------------------------------------------------|

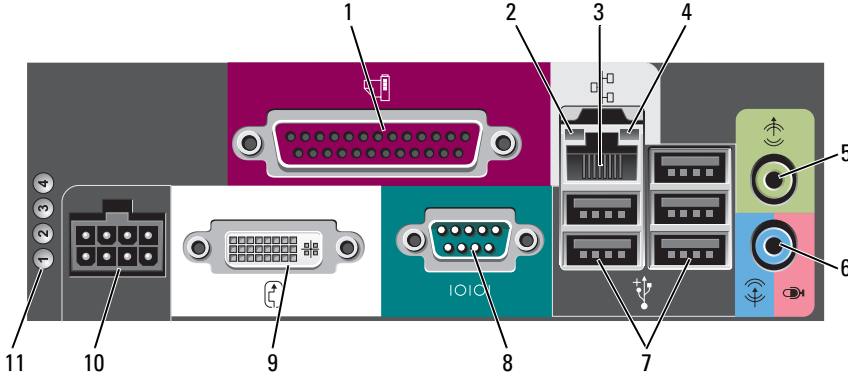
Ultra-Small Form Factor Bilgisayar — Arka Görünüm



- | | | |
|---|-------------------------------------------|-------------------------------------------------------------------------------------------------------------------------------|
| 1 | tanılama ışıkları | Bilgisayarınızın sorunlarını gidermenizde yardımcı olabilecek ışık kodlarının açıklaması için, "Tanılama Işıkları" sayfa 350. |
| 2 | bilgisayar kapağı serbest bırakma düğmesi | Kapağı çıkarmak için bu düğmeyi saat yönünde döndürün. |

- | | | |
|---|-------------------------|-------------------------------------------------------------------------------------------------------------------------------------------|
| 3 | arka panel konektörleri | Bilgisayarınızın konektörleri (Bkz.: "Ultra-Small Form Factor Bilgisayar — Arka Panel Konektörler" sayfa 324). |
| 4 | güç konektörü | Güç kablosunu yerleştirin. |
| 5 | havalandırma delikleri | Bu havalandırma delikleri bilgisayarınızı aşırı ısınmaktan korurlar. Düzgün havalandırma sağlamak için bu soğutma deliklerini kapatmayın. |

Ultra-Small Form Factor Bilgisayar — Arka Panel Konektörler



- | | | |
|---|----------------------------|----------------------------------------------------------------------------------------------------------------------------------------------------------------------------------------------------------------------------------------------------------------------------------------------------------------------------------------------------------------------------------------------------------------------------------------------------------------------------------------------------------------------------------------------------------------------------------------------------------------------------------------------------------|
| 1 | paralel bağlantı konektörü | Yazıcı gibi paralel aygıtları paralel bağlantı konektörüne bağlayın. USB yazıcımız varsa, bunu USB konektörüne takın. |
| 2 | bağlantı bütünlüğü ışığı | <ul style="list-style-type: none"> • Yeşil — 10 Mb/sn ağ ve bilgisayar arasında iyi bir bağlantı var. • Turuncu — 100 Mb/sn ağ ve bilgisayar arasında iyi bir bağlantı var. • Sarı — 1000 Mb/sn (1 Gb/sn) ağ ve bilgisayar arasında iyi bir bağlantı var. • Off (Kapalı) — Bilgisayar ağa fiziksel bağlantı algılamadı veya ağ denetleyicisi sistem ayarlarında kapatıldı. |
| 3 | ağ bağdaştırıcısı | <p>Bilgisayarınızı ağa veya geniş bant aygıtına bağlamak için, ağ kablosunun bir ucunu ağ prizine veya ağ ya da geniş bant aygıtınıza bağlayın. Ağ kablosunun diğer ucunu bilgisayarınızın arka panelindeki ağ bağdaştırıcısı konektörüne takın. Ağ kablosu tam olarak yerine oturduğunda bir tık sesi duyarsınız.</p> <p>NOT: Ağ konektörüne telefon kablosu takmayın.</p> <p>Ağ konektör kartı olan bilgisayarlarda kart üzerindeki konektörü kullanın.</p> <p>Ağınız için Kategori 5 kablo ve konektör kullanmanız önerilir. Kategori 3 kablo kullanmanız gerekiyorsa, güvenilir çalışmasını sağlamak için ağ hızını 10 Mb/sn'ye zorlayın.</p> |
| 4 | ağ etkinlik ışığı | Bilgisayar ağ verileri ilettiğinde veya aldığı anda koyu sarı ışık yanıp söner. Yüksek hacimli ağ trafiği, bu ışığın sürekli "açık" durumda görünmesine yol açabilir. |
| 5 | çıkış konektörü | Yükselticili hoparlör seti bağlamak için yeşil renkli çıkış konektörünü kullanın. |

6	giriş/mikrofon konektörü	Bir kaset çalar, CD çalar veya VCR gibi kayıt veya çalma aygıtları, veya bir ses veya telefon programı için ses veya müzik girişi yapmak üzere kişisel bilgisayar mikrofonu bağlamak üzere mavi ve pembe giriş/mikrofon konektörünü kullanın.
7	USB konektörleri (5)	Yazıcı ve klavye gibi genellikle bağlı kalan aygıtlar için arka USB konektörlerini kullanın.
8	seri bağlantı konektörü	El bilgisayarı gibi seri aygıtları seri bağlantı konektörüne bağlayın.
9	video konektörü	DVI uyumlu monitörünüz varsa, monitörden gelen kabloyu, arka paneldeki beyaz renkli konektöre takın. VGA monitörünüz varsa, bilgisayarınızın <i>Kullanım Kılavuzu</i> içindeki "VGA Monitör bağlama" konusuna bakın.
10	güç konektörü	Güç adaptörü konektörü.
11	tanılama ışıkları	Bilgisayarınızın sorunlarını gidermenizde yardımcı olabilecek ışık kodlarının açıklaması için, "Tanılama Işıkları" sayfa 350.

Bilgisayar Kapağını Çıkarma



UYARI: Bu bölümdeki yordamlara başlamadan önce, *Ürün Bilgileri Kılavuzu*'ndaki güvenlik yönergelerini izleyin.



UYARI: Elektrik çarpmalarına karşı korunmak için, kapağı çıkarmadan önce bilgisayarınızın fişini elektrik prizinden çekin.

Başlamadan Önce



DİKKAT: Veri kaybını önlemek için, bilgisayarınızı kapatmadan önce açık dosyaları kaydedip kapatın ve açık programlardan çıkın.

1 İşletim sistemini kapatın:

a Açık dosyaları kaydedip kapatın, açık programlardan çıkın, **Başlat** düğmesini ve ardından **Bilgisayarı Kapat**'ı tıklatın.

b **Bilgisayarı kapat** penceresinde **Kapat**'ı tıklatın.
İşletim sistemini kapatma işlemi sona erdiğinde bilgisayar kapanır.

2 Bilgisayarın ve takılı aygıtların kapandığından emin olun. İşletim sistemini kapattığınızda bilgisayarınız ve takılı aygıtlar otomatik olarak kapanmadıysa, bunları şimdi kapatın.

Bilgisayarınızın İçinde Çalışmaya Başlamadan Önce

Bilgisayarınızı olası zararlardan korumak ve kendi kişisel güvenliğinizi sağlamak için aşağıdaki güvenlik ilkelerini kullanın.



UYARI: Bu bölümdeki yordamlara başlamadan önce, *Ürün Bilgileri Kılavuzu*'ndaki güvenlik yönergelerini izleyin.



UYARI: Bileşenleri ve kartları itina ile kullanın. Bileşenlere veya kartların üzerindeki temas noktalarına dokunmayın. Kartları uç kısmından veya metal montaj kenarından tutun. Bileşenleri, örneğin bir işlemciyi pinlerinden değil kenarlarından tutun.

- ➔ **DİKKAT:** Yalnızca yetkili bir servis teknisyeni bilgisayarınızda onarım yapmalıdır. Dell tarafından yetkilendirilmemiş servislerden kaynaklanan zararlar garantinizin kapsamında değildir.
- ➔ **DİKKAT:** Bir kabloyu çıkarırken kablonun kendisini değil, fişi veya koruyucu halkayı tutarak çekin. Bazı kablolarda kilitleme dilleri vardır; bu tür kabloları çıkarırken, kabloyu çekmeden önce kilitleme dillerini içeriye bastırın. Konektörleri çıkartırken, konektör pinlerinin eğilmesini önlemek için konektörleri düz tutun. Ayrıca bir kabloyu bağlamadan önce, her iki konektörün yönlerinin doğru olduğundan ve doğru hizalandıklarından emin olun.

Bilgisayara vermekten kaçınmak için, bilgisayarın içinde çalışmaya başlamadan önce aşağıdaki adımları uygulayın.

1 Bilgisayarınızı kapatın.

➔ **DİKKAT:** Ağ kablosunu çıkarmak için, kabloyu önce bilgisayarınızdan, sonra da ağ duvar prizinden çekin.

2 Telefon veya iletişim hatlarını bilgisayardan çıkarın.

3 Bilgisayarınızı ve takılı tüm aygıtları elektrik prizlerinden çıkarın ve ardından sistem kartını topraklamak için güç düğmesine basın.

4 Uygulanabiliyorsa, bilgisayar altlığını kaldırın (yönergeler için altlık ile gelen belgelere bakın).

⚠ **UYARI:** Elektrik çarpmalarına karşı korunmak için, kapağı çıkarmadan önce bilgisayarınızın fişini elektrik prizinden çekin.

5 Bilgisayarın kapağını çıkarın:

- Mini tower bilgisayar kapağını kaldırın (Bkz.: "Mini Tower Bilgisayar" sayfa 326).
- Masaüstü bilgisayar kapağını kaldırın (Bkz.: "Masaüstü Bilgisayar" sayfa 327).
- Small form factor bilgisayar kapağını kaldırın (Bkz.: "Small Form Factor Bilgisayar" sayfa 328).
- Ultra-small form factor bilgisayar kapağını kaldırın (Bkz.: "Ultra-Small Form Factor Bilgisayar" sayfa 330).

➔ **DİKKAT:** Bilgisayarınızın içindeki herhangi bir şeye dokunmadan önce, bilgisayarınızın arkasındaki metal kısım gibi boyanmamış bir metal yüzeye dokunarak kendinizi topraklayın. Çalışırken, iç bileşenlere zarar verebilecek statik elektriği boşaltmak için, boyanmamış metal yüzeye belirli aralıklarla dokunun.

Mini Tower Bilgisayar

⚠ **UYARI:** Bu bölümdeki yordamlara başlamadan önce, *Ürün Bilgileri Kılavuzu*'ndaki güvenlik yönergelerini izleyin.

⚠ **UYARI:** Elektrik çarpmalarına karşı korunmak için, kapağı çıkarmadan önce bilgisayarınızın fişini elektrik prizinden çekin.

1 Yordamları izlemek için bkz. "Başlamadan Önce" sayfa 325.

2 Bilgisayarı resimde görüldüğü gibi yana doğru yatırın.

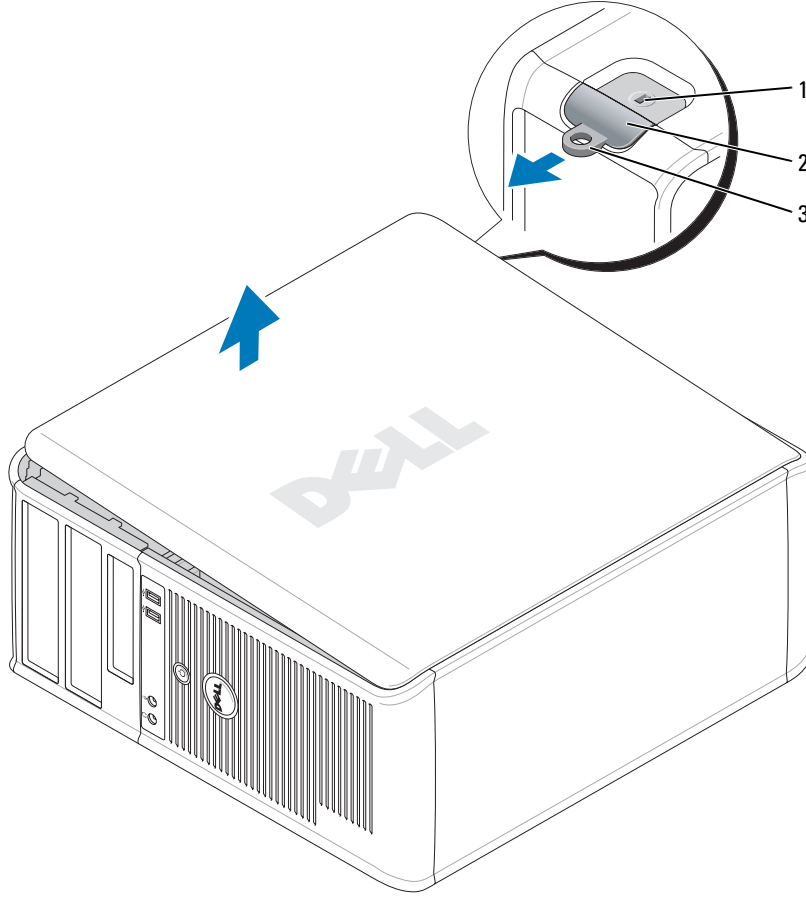
3 Resimde gösterilen kapak açma mandalını bulun. Sonra, kapağı kaldırırken açma mandalını arkaya doğru kaydırın.

4 Bilgisayar kapağının yan taraflarından tutun ve menteşe tırnaklarını baskı noktası olarak kullanarak kapağı yukarı doğru döndürün.

5 Kapağı menteşe tırnaklarından çıkarın ve yumuşak ve pürüzsüz bir yere koyun.



UYARI: Grafik kart ısı emicileri normal işletim sırasında çok ısınabilir. Dokunmadan önce grafik kartı ısı emicilerinin yeteri kadar soğuduğundan emin olun.



1 güvenlik kablosu yuvası 2 kapak serbest bırakma mandalı 3 asma kilit halkası

Masaüstü Bilgisayar



UYARI: Bu bölümdeki yordamlara başlamadan önce, *Ürün Bilgileri Kılavuzu*'ndaki güvenlik yönergelerini izleyin.



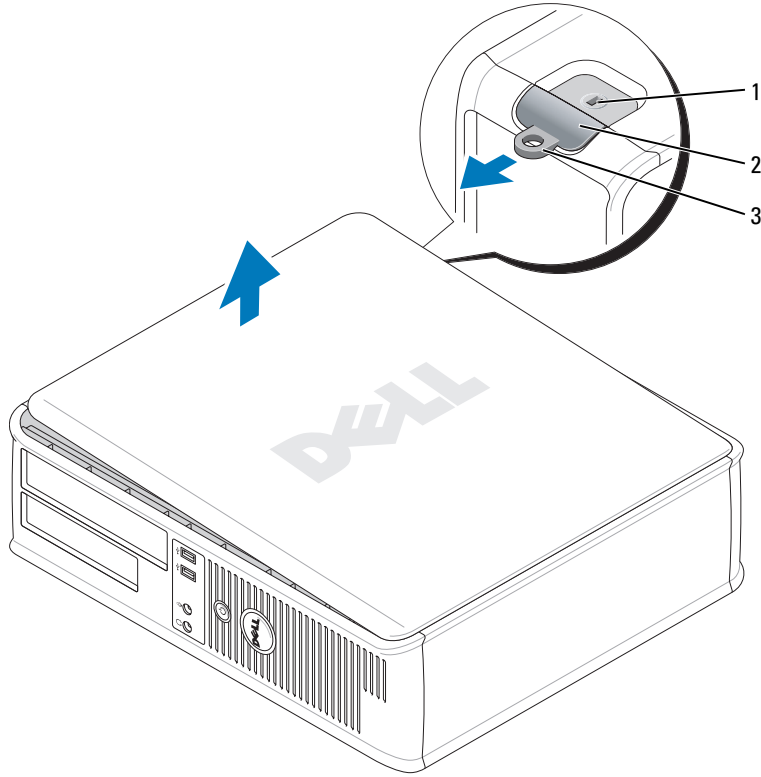
UYARI: Elektrik çarpmalarına karşı korunmak için, kapağı çıkarmadan önce bilgisayarınızın fişini elektrik prizinden çekin.

- 1 Yordamları izlemek için bkz. "Başlamadan Önce" sayfa 325.
- 2 Arka paneldeki asma kilit halkasına bir asma kilit taktıysanız asma kilidi çıkarın.

- 3 Resimde gösterilen kapak açma mandalını bulun. Sonra, kapağı kaldırırken açma mandalını arkaya doğru kaydırın.
- 4 Bilgisayar kapağının yan taraflarından tutun ve menteşe tırnaklarını baskı noktası olarak kullanarak kapağı yukarı doğru döndürün.
- 5 Kapağı menteşe tırnaklarından çıkarın ve yumuşak ve pürüzsüz bir yere koyun.



UYARI: Grafik kart ısı emicileri normal işletim sırasında çok ısınabilir. Dokunmadan önce grafik kartı ısı emicilerinin yeteri kadar soğuduğundan emin olun.



1 güvenlik kablosu yuvası 2 kapak serbest bırakma mandalı 3 asma kilit halkası

Small Form Factor Bilgisayar



UYARI: Bu bölümdeki yordamlara başlamadan önce, *Ürün Bilgileri Kılavuzu*'ndaki güvenlik yönergelerini izleyin.

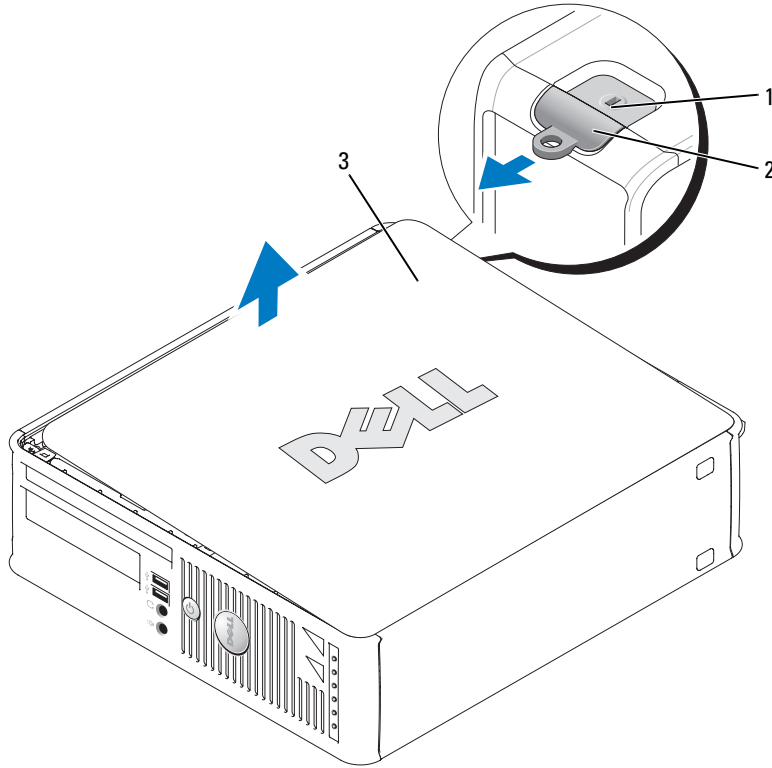


UYARI: Elektrik çarpmalarına karşı korunmak için, kapağı çıkarmadan önce bilgisayarınızın fişini elektrik prizinden çekin.

- 1 Yordamları izlemek için bkz. "Başlamadan Önce" sayfa 325.
- 2 Arka paneldeki asma kilit halkasına bir asma kilit taktıysanız asma kilidi çıkarın.
- 3 Resimde gösterilen kapak açma mandalını bulun. Sonra, kapağı kaldırırken açma mandalını arkaya doğru kaydırın.
- 4 Bilgisayar kapağını kenarlarından sıkıca tutun ve alt menteşeleri üzerinde döndürün.
- 5 Kapağı menteşe tırnaklarından çıkarın ve yumuşak ve pürüzsüz bir yere koyun.



UYARI: Grafik kart ısı emicileri normal işletim sırasında çok ısınabilir. Dokunmadan önce grafik kartı ısı emicilerinin yeteri kadar soğuduğundan emin olun.



- 1 güvenlik kablosu yuvası 2 kapak serbest bırakma mandalı 3 bilgisayar kapağı

Ultra-Small Form Factor Bilgisayar

! **UYARI:** Bu bölümdeki yordamlara başlamadan önce, *Ürün Bilgileri Kılavuzu*'ndaki güvenlik yönergelerini izleyin.

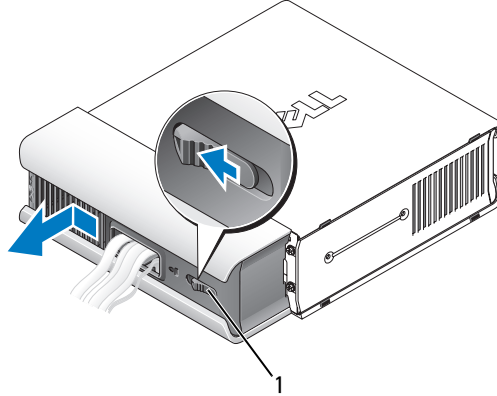
! **UYARI:** Elektrik çarpmalarına karşı korunmak için, kapağı çıkarmadan önce bilgisayarınızın fişini elektrik prizinden çekin.

1 Yordamları izlemek için bkz. "Başlamadan Önce" sayfa 325.

➔ **DİKKAT:** Bilgisayarınızın içindeki herhangi bir şeye dokunmadan önce, boyanmamış bir metal yüzeye dokunarak kendinizi topraklayın. Çalışırken, iç bileşenlere zarar verebilecek statik elektriği boşaltmak için, boyanmamış metal yüzeye belirli aralıklarla dokunun.

2 Uygulanabiliyorsa, kablo kapağını kaldırın.

a Güvenlik kablosu yuvasına bir güvenlik aygıtı yerleştirilmişse aygıtı çıkartın.



1 serbest bırakma düğmesi

b Ayırma düğmesine basın, kablo kapağını tutun ve durana kadar kapağı sola doğru çekin ve kapağı yukarı doğru çekip çıkartın.

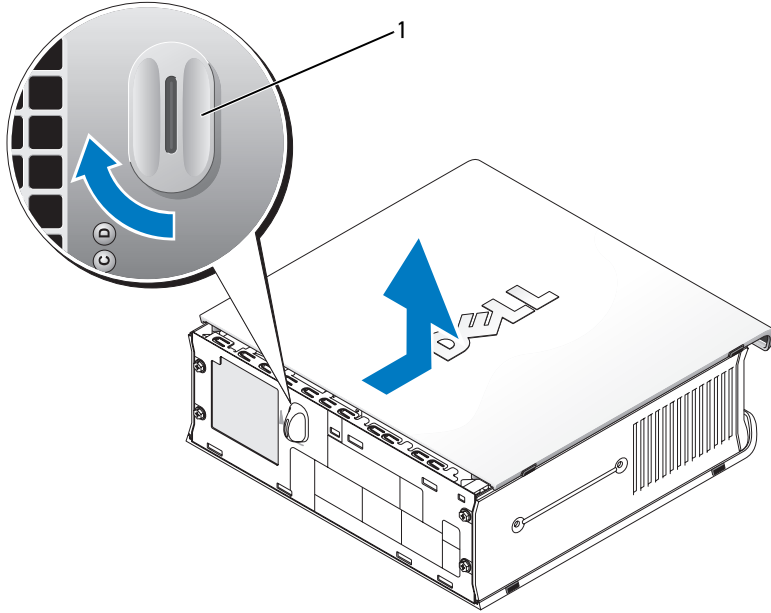
3 Bilgisayarın kapağını çıkarın:

a Resimde gösterildiği gibi kapak çıkartma kafasını saat yönünde döndürün.

b Bilgisayar kapağını 1 cm kadar (½ inç) veya durana kadar kaydırın ve kapağı kaldırın.



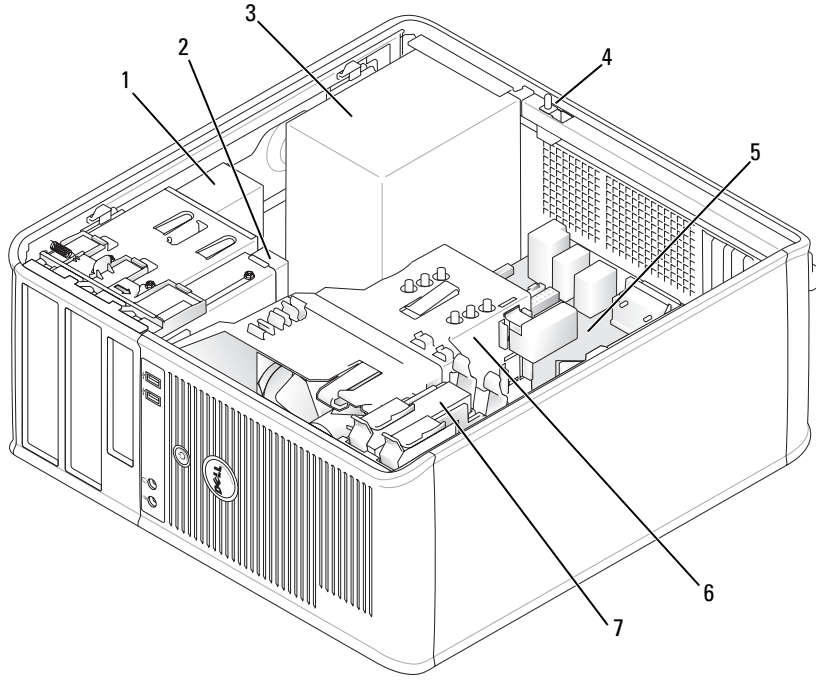
UYARI: Grafik kart ısı emicileri normal işletim sırasında çok ısınabilir. Dokunmadan önce grafik kartı ısı emicilerinin yeteri kadar soğuduğundan emin olun.



1 ayırma kafası

Bilgisayarınızın İçi

Mini Tower Bilgisayar



1 optical drive

2 floppy drive or media card reader

3 güç kaynağı

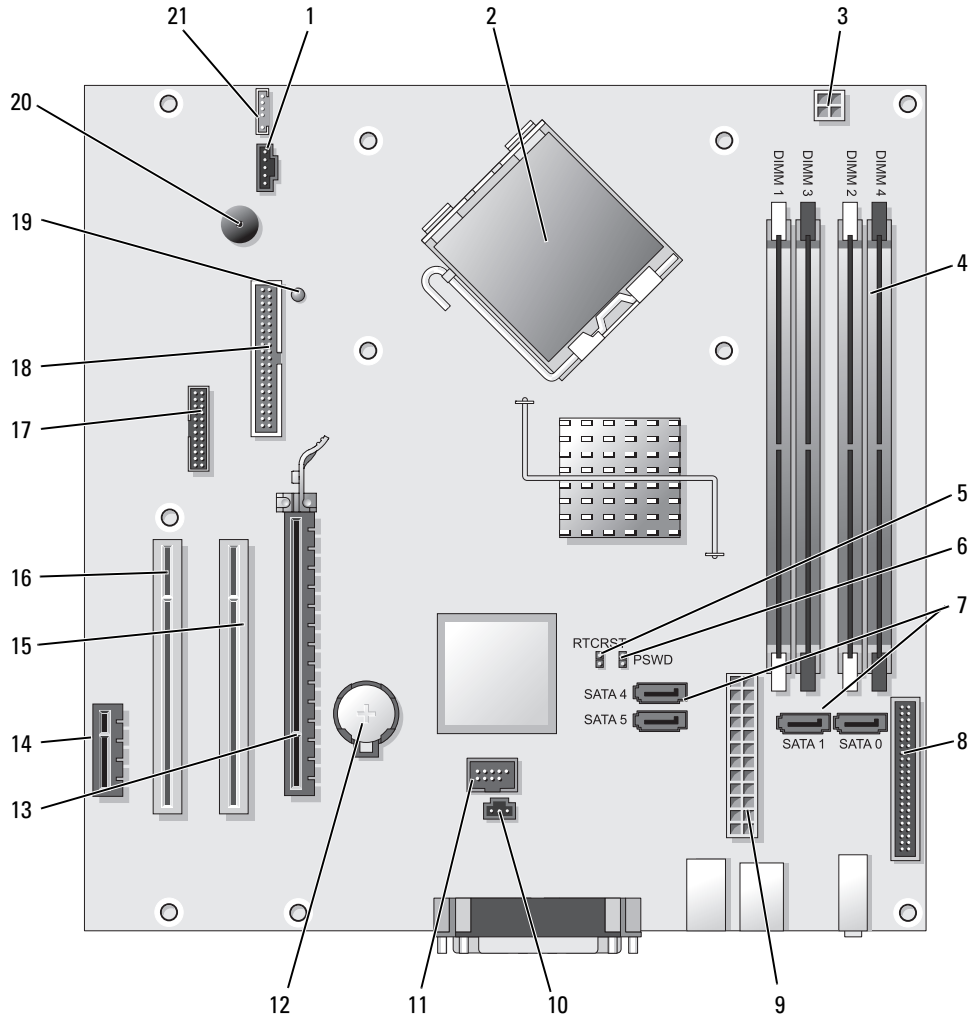
4 optional chassis-intrusion switch

5 sistem kartı

6 heat-sink assembly

7 sabit sürücü

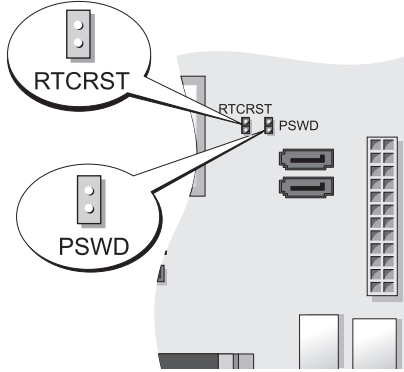
Sistem Kartı Bileşenleri



- | | | | |
|---|-------------------------------------------------------------|----|----------------------------------|
| 1 | fan konektörü (FAN) | 12 | pil yuvası (BATT) |
| 2 | işlemci konektörü (CPU) | 13 | PCI Express x16 konektör (SLOT1) |
| 3 | işlemci güç konektörü (12VPOWER) | 14 | PCI Express x1 konektör (SLOT4) |
| 4 | bellek modülü konektörleri (DIMM_1, DIMM_2, DIMM_3, DIMM_4) | 15 | PCI konektör (SLOT2) |
| 5 | RTC sıfırlama atlatıcısı (RTCRST) | 16 | PCI konektör (SLOT3) |

- | | | | |
|----|-------------------------------------------------------|----|-----------------------------------|
| 6 | parola atlatici (PSWD) | 17 | seri konektör (SER2) |
| 7 | SATA sürücü konektörleri (SATA0, SATA1, SATA4, SATA5) | 18 | disket sürücü konektörleri (DSKT) |
| 8 | ön panel konektörü (FNT_PANEL) | 19 | pinden güç |
| 9 | güç konektörü (POWER) | 20 | sistem kartı hoparlörü (BEEP) |
| 10 | izinsiz giriş anahtarı konektörü (INTRUDER) | 21 | hoparlör konektörü (INT_SPKR) |
| 11 | iç USB (INTERNAL_USB) | | |

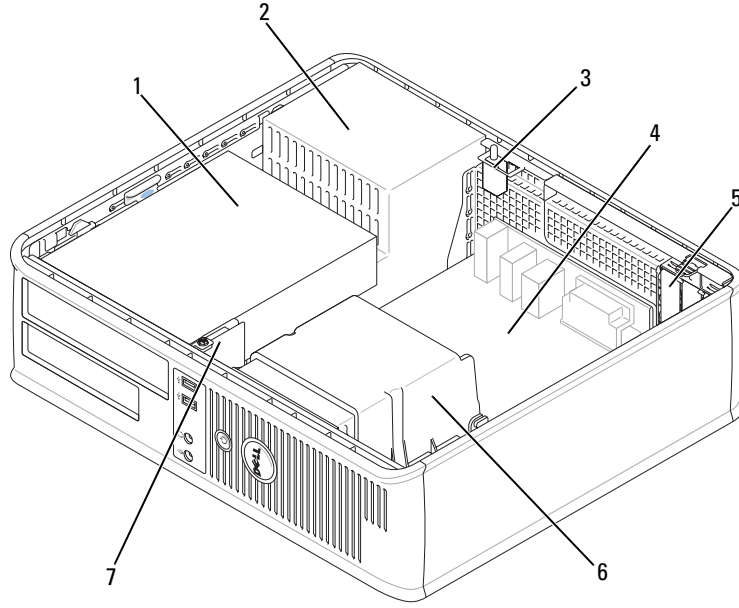
Jumper Ayarları



Atlatici	Ayar	Açıklama
PSWD		Parola özellikleri etkin (varsayılan ayar).
		Parola özellikleri devre dışıdır.
RTCRST		Gerçek zamanlı saat sıfırlanamaz.
		Gerçek zamanlı saat sıfırlanır (geçici atlatmalı).

atlatmalı *atlatmasız*

Masaüstü Bilgisayar



1 sürücü bölmeleri (ortam kart okuyucu veya disket sürücü, optik disk ve sabit disk)

2 güç kaynağı

3 isteğe bağlı kasaya izinsiz giriş anahtarı

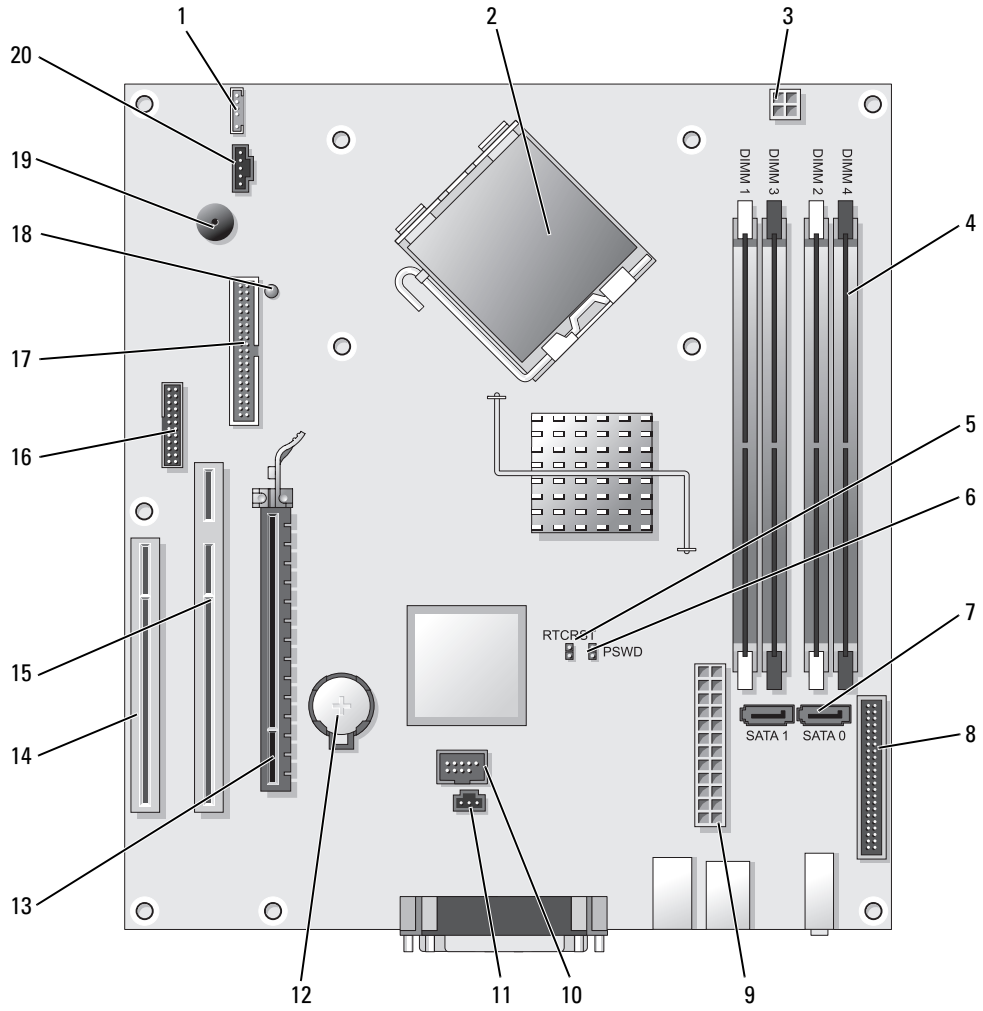
4 sistem kartı

5 kart yuvaları

6 ısı emicisi birimi

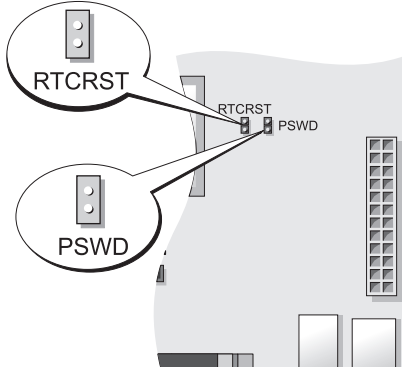
7 ön G/Ç paneli

System Board Bileşenler



- | | | | |
|----|-------------------------------------------------------------|----|---------------------------------------------|
| 1 | iç hoparlör (INT_SPKR) | 11 | izinsiz giriş anahtarı konektörü (INTRUDER) |
| 2 | işlemci konektörü (CPU) | 12 | pil yuvası (BATT) |
| 3 | işlemci güç konektörü (12VPOWER) | 13 | PCI Express x16 konektörü (SLOT1) |
| 4 | bellek modülü konektörleri (DIMM_1, DIMM_2, DIMM_3, DIMM_4) | 14 | PCI konektör (SLOT3) |
| 5 | RTC sıfırlama atlatıcısı (RTCRST) | 15 | PCI konektör (SLOT2) |
| 6 | parola atlatıcı (PSWD) | 16 | seri konektör (SER2) |
| 7 | SATA konektörler (SATA0, SATA1) | 17 | disket sürücü konektörü (DSKT) |
| 8 | ön panel konektörü (FNT_PANEL) | 18 | pinden güç |
| 9 | güç konektörü (POWER) | 19 | sistem kartı hoparlörü (BEEP) |
| 10 | iç USB (INTERNAL_USB) | 20 | fan konektörü (FAN) |

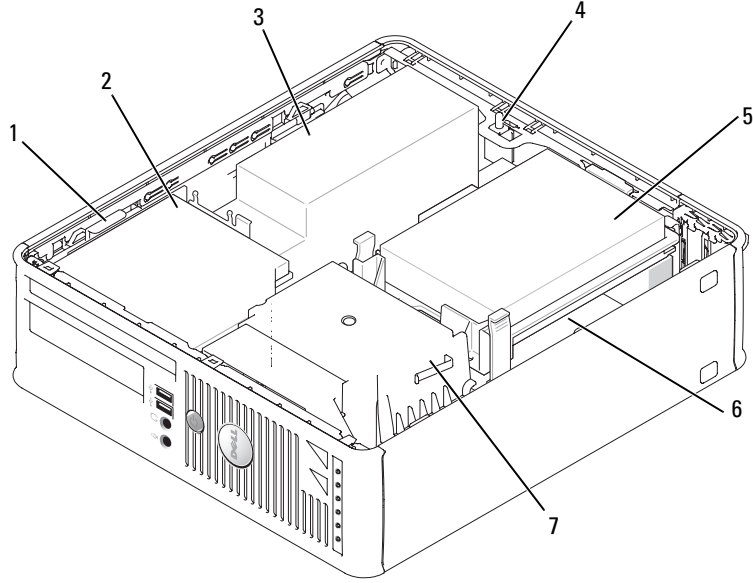
Jumper Ayarları



Atlatıcı	Ayar	Açıklama
PSWD		Parola özellikleri etkin (varsayılan ayar).
		Parola özellikleri devre dışıdır.
RTCRST		Gerçek zamanlı saat sıfırlanamaz.
		Gerçek zamanlı saat sıfırlanır (geçici atlatılmalı).

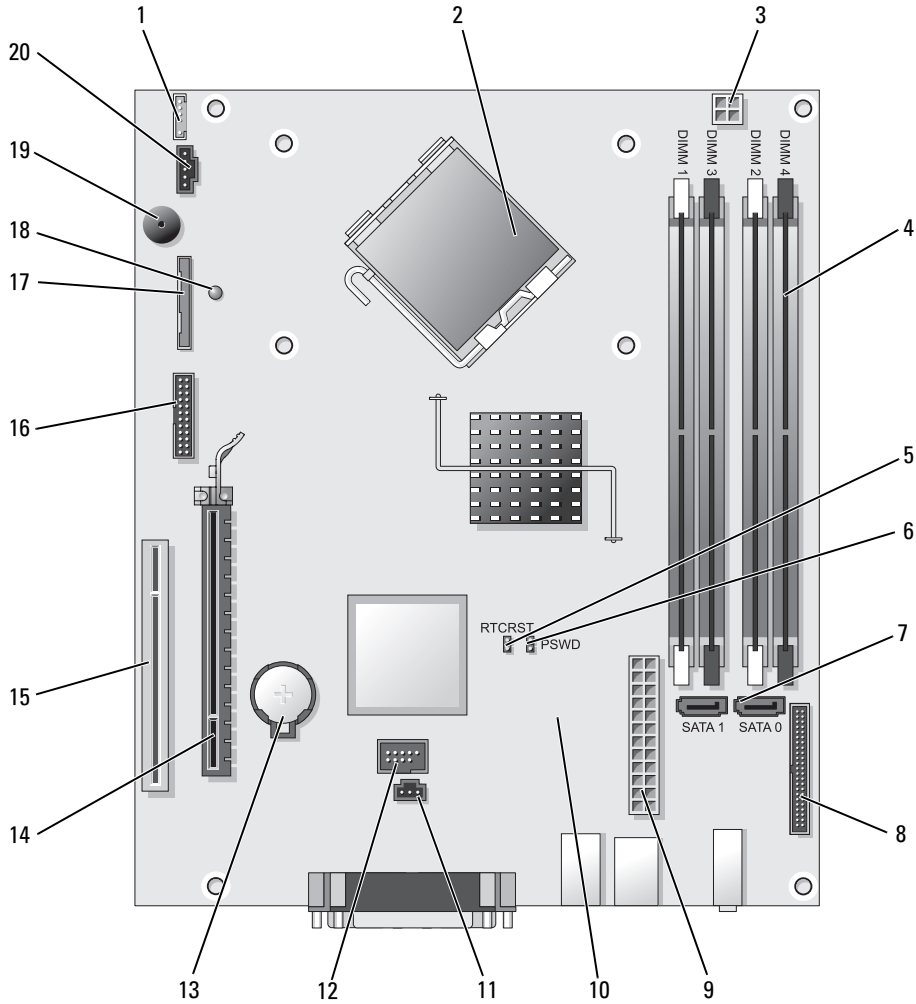
atlatmalı
 atlatmasız

Small Form Factor Bilgisayar



- | | | | | | |
|---|--------------------------------------------|---|--------------|---|--------------------|
| 1 | sürücü çıkartma mandalı | 2 | optik sürücü | 3 | güç kaynağı ve fan |
| 4 | isteğe bağlı kasaya izinsiz giriş anahtarı | 5 | sabit sürücü | 6 | sistem kartı |
| 7 | ısı emici ve vantilatör tertibatı | | | | |

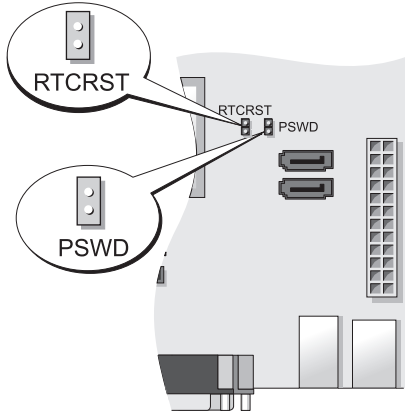
Sistem Kartı Bileşenleri



- | | | | |
|---|-------------------------------------------------------------|----|---------------------------------------------|
| 1 | iç hoparlör konektörü (INT_SPKR) | 11 | izinsiz giriş anahtarı konektörü (INTRUDER) |
| 2 | işlemci konektörü (CPU) | 12 | iç USB konektörü (USB) |
| 3 | işlemci güç konektörü (12VPOWER) | 13 | pil yuvası (BATT) |
| 4 | bellek modülü konektörleri (DIMM_1, DIMM_2, DIMM_3, DIMM_4) | 14 | PCI Express x16 konektör (SLOT1) |
| 5 | RTC sıfırlama atlatıcısı (RTCST) | 15 | PCI konektör (SLOT2) |

- | | | | |
|----|---------------------------------|----|--------------------------------|
| 6 | parola atlatici (PSWD) | 16 | seri konektör (SER2) |
| 7 | SATA konektörler (SATA0, SATA1) | 17 | disket sürücü konektörü (DSKT) |
| 8 | ön panel konektörü (FNT_PANEL) | 18 | pinden güç |
| 9 | güç konektörü (POWER) | 19 | sistem kartı hoparlörü (BEEP) |
| 10 | vanilatör konektörü (FAN2) | 20 | fan konektörü (FAN) |

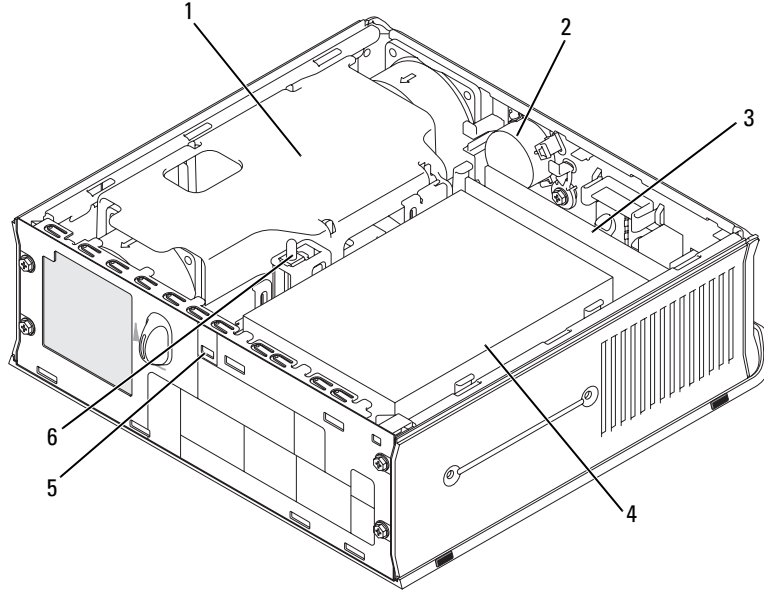
Jumper Ayarları



Atlatici	Ayar	Açıklama
PSWD		Parola özellikleri etkin (varsayılan ayar).
		Parola özellikleri devre dışıdır.
RTCRST		Gerçek zamanlı saat sıfırlanamaz.
		Gerçek zamanlı saat sıfırlanır (geçici atlattmalı).

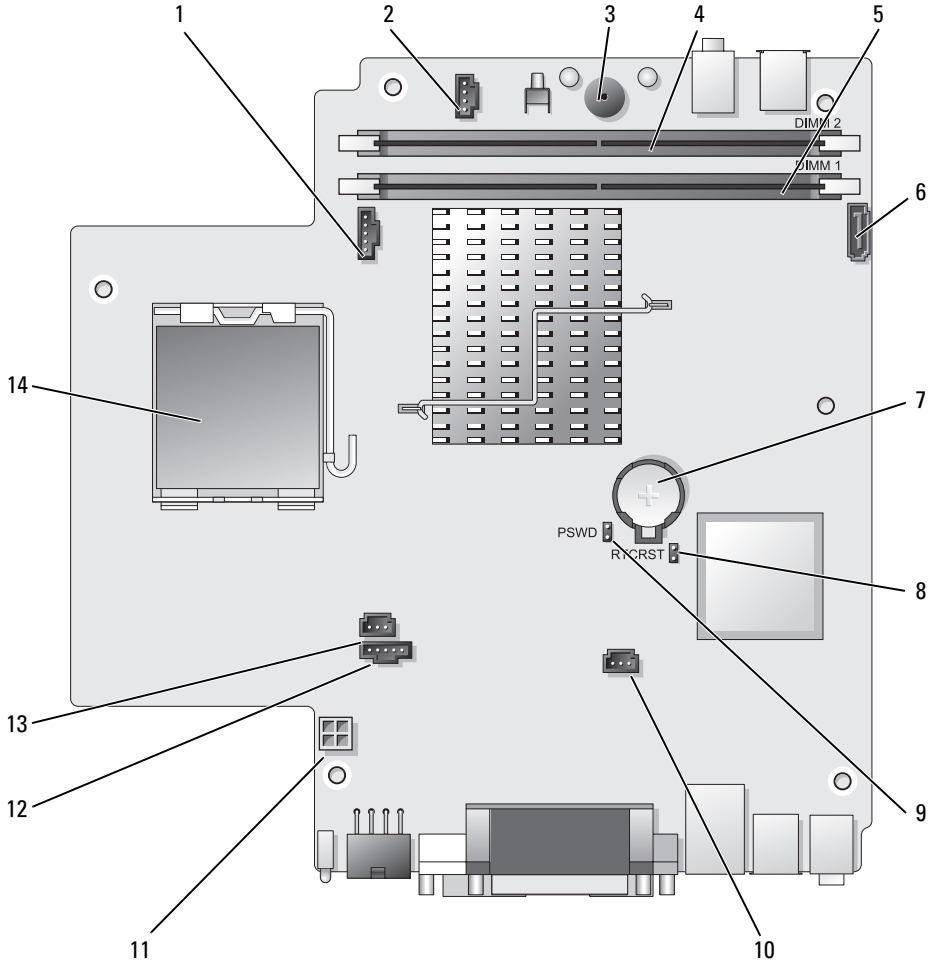
atlattmalı *atlattmasız*

Ultra-Small Form Factor Bilgisayar



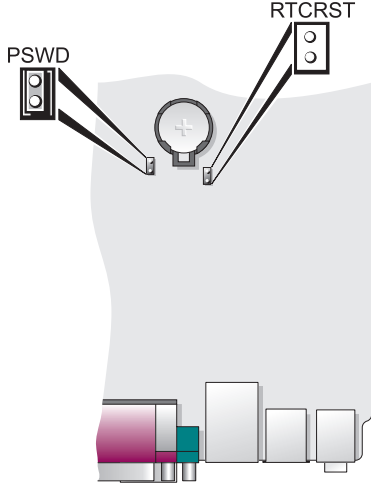
- | | | | | | |
|---|-----------------------------------------|---|-------------------------|---|--------------------------------------|
| 1 | vantilatör koruması/ısı emici tertibatı | 2 | hoparlör (isteğe bağlı) | 3 | bellek modülleri (2) |
| 4 | sabit sürücü | 5 | güvenlik kablosu yuvası | 6 | kasaya izinsiz giriş önleme anahtarı |

System Board Bileşenler



- | | | | |
|---|-------------------------------------|----|---------------------------------------------|
| 1 | vantilatör konektörü (FAN_FRONT) | 8 | CMOS temizle atlama teli (RTC RST) |
| 2 | iç hoparlör konektörü (INT_SPKR) | 9 | parola atlatici (PSWD) |
| 3 | sistem kartı hoparlörü (BEEP) | 10 | sabit disk vantilatör konektörü (FAN_HDD) |
| 4 | kanal B bellek konektörü (DIMM_2) | 11 | sabit disk güç konektörü (SATA_PWR) |
| 5 | kanal A bellek konektörü (DIMM_1) | 12 | vantilatör konektörü (FAN_REAR) |
| 6 | SATA veri kablosu konektörü (SATA0) | 13 | izinsiz giriş anahtarı konektörü (INTRUDER) |
| 7 | pil (BATT) | 14 | işlemci (CPU) |

Atlama teli Ayarları



Atlama teli	Ayar	Açıklama
PSWD		Parola özelliği etkin (varsayılan ayar).
		Parola özellikleri devre dışıdır.
RTCRST		Gerçek zamanlı saat sıfırlanamaz.
		Gerçek zamanlı saat sıfırlanır (geçici atlatmalı).



atlatmalı



atlatmasız

Bilgisayarınızı Ayarlama




UYARI: Bu bölümdeki yordamları uygulamadan önce, *Ürün Bilgileri Kılavuzu*'ndaki güvenlik yönergelerine bakın.




DİKKAT: Bilgisayarınızda genişletme kartı (örneğin bir modem kartı) takılıysa, uygun kabloyu arka paneldeki konektöre *değil*, karta bağlayın.




DİKKAT: Bilgisayarın uygun çalışma sıcaklığını korumasına yardımcı olmak için, bilgisayarı bir duvara veya kasa etrafında hava dolaşımını engelleyebilecek diğer yerlere fazla yakın yerleştirmeden emin olun. Daha fazla bilgi için Ürün Bilgileri Kılavuzu'na bakın.

 **NOT:** Bilgisayarınızla birlikte gelmeyen herhangi bir aygıtı veya yazılımı yüklemeyen önce, söz konusu aygıt veya yazılımla birlikte gelen belgeleri okuyun veya satıcıdan aygıtın ya da yazılımın bilgisayarınız ve işletim sisteminizle uyumlu olup olmadığını öğrenin.

Bilgisayarınızı gerektiği gibi kurabilmek için tüm adımları tamamlamanız gerekir. Yönergelerin ardından gelen ilgili şekillere bakın.

 **DİKKAT:** PS/2 ve USB farelerini aynı anda çalıştırmayı denemeyin.

1 Klavyeyi ve fareyi bağlayın.


 **DİKKAT:** Ağ bağdaştırıcısı konektörüne modem kablosu takmayın. Telefon iletişimlerinden kaynaklanan voltaj ağ adaptörüne zarar verebilir.

2 Modem veya ağ kablosunu bağlayın.

Ağ kablosunu telefon hattına değil ağ konektörüne takın. İsteğe bağlı modeminiz varsa, telefon hattını modeme bağlayın.


3 Monitörü bağlayın.


Konektör pinlerinin eğilmemesine dikkat ederek, monitör kablosunu hizalayın ve hafifçe takın. Kablo konektörlerindeki kelebek başlı vidaları sıkın.

 **NOT:** Bazı monitörlerde, ekranın arkasının alt tarafında video konektörü vardır. Konektör yerleri için, monitörünüzle gelen belgelere bakın.

4 Hoparlörleri bağlayın.

5 Güç kablolarını bilgisayara, monitöre ve aygıtlara takın ve güç kablolarını diğer uçlarını elektrik prizlerine takın.

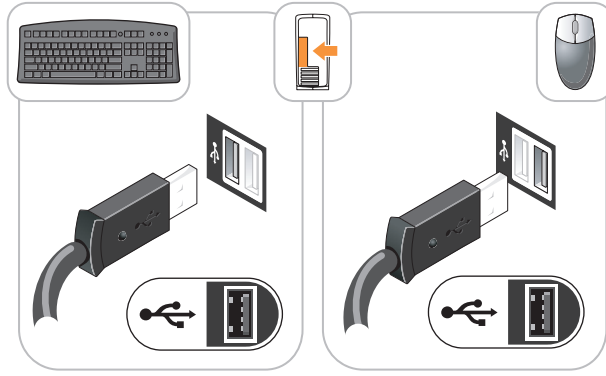
 **DİKKAT:** Bilgisayara el ile kullanılan voltaj seçme anahtarı ile zarar vermemek için, anahtarı bölgenizde bulunan AC voltaja en yakın değere ayarlayın.

 **DİKKAT:** Japonya'da AC gücü 100 V olmasına karşın, voltaj seçim anahtarı 115 V olarak ayarlanmalıdır.

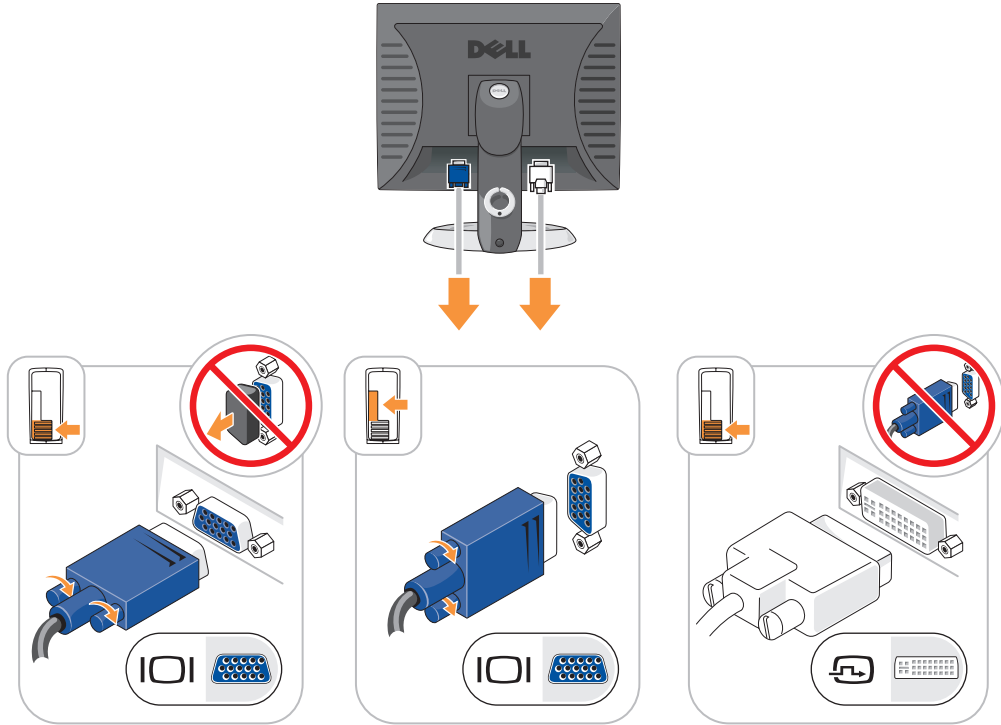
6 Voltaj seçim anahtarının bölgenize uygun şekilde ayarlandığını doğrulayın.

Bilgisayarınızda manuel voltaj seçim anahtarı vardır. Arka panelde voltaj seçim anahtarı bulunan bilgisayarların, doğru çalışma voltajında çalışmalarını için el ile ayarlanmaları gerekir.

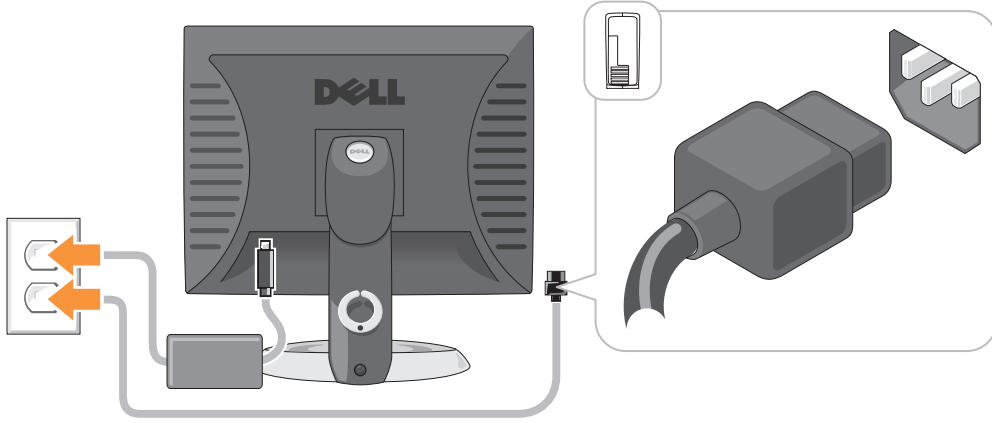
Klavye ve Fareyi Takma



Monitörü Takma



Güç Bağlantıları



Sorun Çözme

Dell, bilgisayarınızın beklendiği şekilde çalışmaması halinde yardımcı olacak çeşitli araçlar sağlamaktadır. Bilgisayarınız için kullanılacak en son sorun giderme bilgileri için, support.dell.com adresindeki Dell Destek web sitesine bakın.

Bilgisayarınızda Dell'den yardım almanızı gerektiren sorunlar olursa, hatanın ayrıntılı bir açıklamasını, sesli uyarı kodlarını veya tanılama ışığı desenlerini yazın, altına Express Service Code ve Service Tag numaralarını kaydedin, sonra da bilgisayarınızın bulunduğu yerdeki Dell birimine başvurun. Dell'e başvurma hakkında bilgi için, çevrimiçi *Kullanım Kılavuzu*'nuza bakın.

Acele Hizmet Kodu ve Servis Etiketi örneği için bilgisayarınızın *Kullanım Kılavuzu* içindeki "Bilgi Bulma" bölümüne bakın.

Express Service Code: _____

Service Tag: _____

Dell Diagnostics

⚠ UYARI: Bu bölümdeki yordamlara başlamadan önce, *Ürün Bilgileri Kılavuzu*'ndaki güvenlik yönergelerini izleyin.

Dell Teşhislerini Kullanma Zamanı

Bilgisayarınızda bir problemle karşılaşırsanız çevrimiçi *Kullanım Kılavuzu* içindeki "Sorun Çözme" bölümündeki kontrolleri yapın ve Dell teknik servisine başvurmadan önce Dell Tanıları programını çalıştırın. Dell'e başvurma hakkında bilgi için, çevrimiçi *Kullanım Kılavuzu*'nuza bakın.

🔄 DİKKAT: Dell Diagnostics programı yalnızca Dell™ bilgisayarlarda çalışır.

Sistem kurulumuna girin (yönergeler için, çevrimiçi *Kullanım Kılavuzu*'ndaki "Sistem Kurulumu" konusuna bakın), bilgisayarınızın yapılandırma bilgilerini gözden geçirin ve sınamak istediğiniz aygıtın sistem kurulumunda görüntülendiğini ve etkin olduğunu doğrulayın.

Dell Diagnostics programını sabit sürücünüzden veya isteğe bağlı *Drivers and Utilities* CD (*KaynakCD*).

Dell Diagnostics Programını Sabit Sürücünüzden Başlatma

- 1 Bilgisayarınızı açın (veya yeniden başlatın).
- 2 DELL logosu görüldüğünde, hemen <F12> tuşuna basın.



NOT: Tanı yardımcı programı bölüntüsünün bulunmadığı şekilde bir ileti görürseniz, isteğe bağlı *Drivers and Utilities* CD'si içindeki Dell Tanıları programını çalıştırın (Bkz. "Dell Diagnostics Programını Drivers and Utilities CD'sinden Başlatma" sayfa 347).

Fazla uzun süre beklemediyseniz ve işletim sistemi logosu görünürse, Microsoft® Windows® masaüstünü görene kadar bekleyin. Ardından bilgisayarınızı kapatın ve yeniden deneyin.

Önyükleme aygıt listesi görüldüğünde, **Boot to Utility Partition** (Yardımcı Program Bölümüne Önyükle) seçeneğini vurgulayın ve <Enter> tuşuna basın.

- 3 Dell Diagnostics programının **Ana Menü**sü görüldüğünde, yürütmek istediğiniz sınamayı seçin.

Dell Diagnostics Programını Drivers and Utilities CD'sinden Başlatma

- 1 *Drivers and Utilities* CD'sinden.
- 2 Bilgisayarı kapatıp tekrar başlatın.
DELL logosu görüldüğünde, hemen <F12> tuşuna basın.

Uzunca bir süre beklemediyseniz ve işletim sistemi logosu görünürse, Microsoft Windows masaüstünü görene kadar bekleyin. Ardından bilgisayarınızı kapatın ve yeniden deneyin.



NOT: Sonraki adımlar, önyükleme sırasını yalnızca bir kez değiştirir. Sonraki başlatmada, bilgisayar sistem kurulumunda belirtilen aygıtlara göre önyükleme yapar.

- 3 Önyükleme aygıt listesi görüldüğünde, CD/DVD sürücüsü listesini vurgulayın ve <Enter> tuşuna basın.
- 4 CD önyükleme menüsünden CD/DVD sürücüsü seçeneğinin listesini seçin.
- 5 Görünen menüden CD/DVD sürücüden önyükleme seçeneğini belirleyin.
- 6 *Drivers and Utilities* CD'si menüsünü başlatmak için 1 yazın.
- 7 Dell Diagnostics programını başlatmak için 2 yazın.
- 8 Numaralı listeden **Run the 32 Bit Dell Diagnostics**'ı (32 Bit Dell Diagnostics Programını Çalıştır) seçin. Birden çok sürüm listelenmişse, bilgisayarınıza uygun sürümü seçin.
- 9 Dell Diagnostics programının **Ana Menü**sü görüldüğünde, yürütmek istediğiniz sınamayı seçin.

Dell Tanıları Ana Menüsü

- 1 Dell Diagnostics programı yüklendikten ve **Ana Menü** ekranı görüldükten sonra, istediğiniz seçeneğin düğmesini tıklatın.

Seçenek	Function
Express Test (Hızlı Sınama)	Aygıtları hızla sınar. Bu sınama 10 - 20 dakika kadar sürer ve katılımınızı gerektirmez. Sorunu daha hızlı saptama olasılığını artırmak için önce Express Test 'i çalıştırın.
Extended Test (Genişletilmiş Sınama)	Aygıtları tam olarak sınar. Bu sınama bir saat ya da daha uzun sürer ve belirli soruları yanıtlamanızı gerektirir.
Custom Test (Özel Sınama)	Belirli bir aygıtı sınar. Çalıştırmak istediğiniz sınamaları özelleştirebilirsiniz.
Symptom Tree (Belirti Ağacı)	Karşılaşılan en yaygın belirtileri listeler ve yaşadığınız sorunun belirtisine göre bir sınama seçmenize olanak sağlar.

- 2 Sınama sırasında bir sorunla karşılaşırsa, sorunun hata kodunu ve açıklamasını içeren bir ileti görünür. Hata kodunu ve sorun açıklamasını not edin ve ekrandaki yönergeleri izleyin.

Hata durumunu çözemiyorsanız, Dell'e başvurun. Dell'e başvurma hakkında bilgi için, çevrimiçi *Kullanım Kılavuzu*'nuza bakın.



NOT: Bilgisayarınızın Service Tag numarası, her sınama ekranının en üstünde bulunur. Dell'e başvurduğunuzda, teknik destek bölümü Service Tag numaranızı sorar.

- 3 **Custom Test** (Özel Sınama) veya **Symptom Tree** (Belirti Ağacı) seçeneğinden bir sınama yürütürseniz, daha fazla bilgi için aşağıdaki tabloda açıklanan ilgili sekmeyi tıklatın.

Sekme	Function
Results (Sonuçlar)	Sınama sonuçlarını ve karşılaşılan hata durumlarını görüntüler.
Errors (Hatalar)	Karşılaşılan hata durumlarını, hata kodlarını ve sorun açıklamasını görüntüler.
Help (Yardım)	Sınamayı açıkla ve sınama çalıştırma gereksinimlerini belirtebilir.
Configuration (Yapılandırma)	Seçilen aygıt için donanım yapılandırmanızı görüntüler. Dell Diagnostics programı, tüm aygıtların yapılandırma bilgilerini sistem kurulumundan, bellekten ve çeşitli iç sınamalardan alır ve bilgileri ekranın sol bölümündeki aygıt listesinde görüntüler. Aygıt listesi, bilgisayarınıza takılı tüm bileşenlerin veya bilgisayarınıza bağlanmış tüm aygıtların adlarını görüntülemeyebilir.
Parameters (Parametreler)	Sınama ayarlarını değiştirerek sınamayı özelleştirebilirsiniz.

- 4 Sınamalar bittiğinde, Dell Diagnostics programını *Drivers and Utilities* CD'sinden (isteğe bağlı) çalıştırdıysanız, CD'yi çıkarın.
- 5 Sınama ekranını kapatarak, **Ana Menü** ekranına dönün. Dell Diagnostics programından çıkmak ve bilgisayarı yeniden başlatmak için, **Ana Menü** ekranını kapatın.

Sistem Işıkları

Güç ışığınız, bir bilgisayar sorununu belirtebilir.

Güç Işığı	Problem Tanımı	Önerilen Çözüm
Sabit yeşil	Güç açık ve bilgisayar normal çalışıyor.	Düzeltilici eylem gerekmez.
Yanıp sönen yeşil	Bilgisayar güç tasarrufu modundadır.	Bilgisayarı çalıştırmak için güç düğmesine basın, fareyi hareket ettirin veya klavyedeki bir tuşa basın.
Yeşil ışık birkaç kez yanıp söniyor ve ardından kapanıyor	Bir yapılandırma hatası var.	Belirli bir sorunu tanımlayıp tanımlamadığını görmek için Tanılama Işıklarını denetleyin (bkz. "Tanılama Işıkları" sayfa 350).
Sabit sarı	Sistem kartı üstündeki bir aygıt arızalı veya hatalı yerleştirilmiş veya güç adaptörü üstündeki voltaj seçme anahtarı hatalı ayarlanmış olabilir.	Belirli bir sorunu tanımlayıp tanımlamadığını görmek için Tanılama Işıklarını denetleyin (bkz. "Tanılama Işıkları" sayfa 350). Çevrimiçi <i>Kullanım Kılavuzu</i> 'nuzdaki "Güç Sorunları" konusuna bakın. Bilgisayar önyükleme yapmıyorsa, teknik yardım için Dell'e başvurun. Dell'e başvurma hakkında bilgi için, çevrimiçi <i>Kullanım Kılavuzu</i> 'nuzda bakın.
Yanıp sönen sarı	Güç kaynağı veya sistem kartı arızası ortaya çıktı.	Belirli bir sorunu tanımlayıp tanımlamadığını görmek için Tanılama Işıklarını denetleyin (bkz. "Tanılama Işıkları" sayfa 350). Çevrimiçi <i>Kullanım Kılavuzu</i> 'nuzdaki "Güç Sorunları" konusuna bakın. Bilgisayar önyükleme yapmıyorsa, teknik yardım için Dell'e başvurun. Dell'e başvurma hakkında bilgi için, çevrimiçi <i>Kullanım Kılavuzu</i> 'nuzda bakın.
POST sırasında sabit yeşil ve bir sesli uyarı kodu	BIOS çalışması sırasında bir sorun belirlendi.	Sesli uyarı koduyla tanılama yönergeleri için bkz. "Bip Kodları" sayfa 352 Ayrıca, belirli bir sorunu tanımlayıp tanımlamadığını görmek için Tanılama Işıklarını denetleyin.
Sabit yeşil güç ışığı, sesli uyarı kodu yok ve POST sırasında görüntü yok	Monitör veya grafik kartı hatalı ya da yanlış takılmış olabilir.	Belirli bir sorunu tanımlayıp tanımlamadığını görmek için Tanılama Işıklarını denetleyin.

Güç Işıđı	Problem Tanımı	Önerilen Çözüm
Yeşil güç ışığı kesintisiz yanıyor ve bip kodu yok, ancak bilgisayar POST sırasında kilitleniyor	Tümleşik sistem kartı aygıtlarından biri hatalı olabilir.	Belirli bir sorunu tanımlayıp tanımlamadığını görmek için Tanılama Işıklarını denetleyin. Sorun tanımlanmıyorsa, teknik yardım için Dell'e başvurun. Dell'e başvurma hakkında bilgi için, çevrimiçi <i>Kullanım Kılavuzu</i> 'nuza bakın.

Tanılama Işıkları



UYARI: Bu bölümdeki yordamlara başlamadan önce, *Ürün Bilgileri Kılavuzu*'ndaki güvenlik yönergelerini izleyin.





Sorun gidermenize yardımcı olması için, bilgisayarınızın ön veya arka panelinde "1," "2," "3" ve "4" şeklinde etiketlenmiş dört ışık vardır. Bu ışıklar "kapalı" veya yeşil olabilir. Bilgisayar normal şekilde başladığında, ışıkların biçimi veya kodları, önyükleme işlemi tamamlandıkça değişir. Sistem önyüklemesinin POST kısmı başarıyla tamamlandığında, dört ışığın tümü kısa bir süre sabit yeşil görünür ve ardından kapanır.




POST işlemi sırasında bilgisayarda hata olursa, LED'lerde görüntülenen desen, işlem sırasında bilgisayarın takıldığı yeri saptamaya yardım edebilir. Bilgisayar, başarılı bir POST sonrasında hata verirse, tanılama ışıkları sorunun nedenini belirtmez.



NOT: Tanılama ışıklarının yönü, sistem türüne göre değişebilir. Tanılama ışıkları düşey veya yatay yönlendirilmiş olabilir.

Işık Deseni	Problem Tanımı	Önerilen Çözüm
① ② ③ ④	Bilgisayar normal "kapalı" durumda veya BIOS öncesi bir arıza olmuş olabilir. Bilgisayar işletim sistemini başarıyla önyükledikten sonra tanılama ışıkları yanmıyor.	Bilgisayarı çalışan bir elektrik prizine takın ve güç düğmesine basın.
① ② ③ ④	Olası bir BIOS hatası oluşmuş; bilgisayar onarım modunda.	BIOS Kurtarma yardımcı programını çalıştırın, kurtarmanın tamamlanmasını bekleyin ve ardından bilgisayarı yeniden başlatın.
① ② ③ ④	Bir işlemci arızası oluşmuş olabilir.	İşlemciyi tekrar takın ve bilgisayarı yeniden başlatın. İşlemciyi yeniden takma hakkında bilgi için çevrimiçi <i>Kullanım Kılavuzu</i> 'nuza bakın.

Işık Deseni	Problem Tanımı	Önerilen Çözüm
	Bellek modülleri saptandı, ancak bir bellek hatası oluştu.	<ul style="list-style-type: none">• Yalnızca bir bellek modülü takılıysa, bunu çıkarıp takın ve bilgisayarı yeniden başlatın. Bellek modüllerini yeniden takma hakkında bilgi için, çevrimiçi <i>Kullanım Kılavuzu</i>'nuza bakın.• İki ya da daha fazla bellek modülü takılıysa, modülleri çıkarın, tek bir modülü takın ve bilgisayarı yeniden başlatın. Bilgisayar normal şekilde başlarsa, diğer bir modülü takın. Arızalı bir modül bulana kadar veya tüm modülleri hatasız şekilde takana kadar devam edin.• Mümkünse, bilgisayarınıza aynı türde, düzgün çalışan bir bellek takın.• Sorun devam ederse, Dell'e başvurun. Dell'e başvurma hakkında bilgi için, çevrimiçi <i>Kullanım Kılavuzu</i>'nuza bakın.
	Bir grafik kartı hatası oluşmuş olabilir.	<ul style="list-style-type: none">• Bilgisayarda bir grafik kartı varsa, kartı çıkarıp takın ve ardından bilgisayarı yeniden başlatın.• Sorun devam ederse, çalıştığını bildiğiniz bir grafik kartı takın ve bilgisayarı yeniden başlatın.• Sorun devam ederse veya bilgisayarda tümleşik grafik kartı varsa, Dell'e başvurun. Dell'e başvurma hakkında bilgi için, çevrimiçi <i>Kullanım Kılavuzu</i>'nuza bakın.
	Bir disket veya sabit sürücü arızası oluşmuş olabilir.	Tüm güç ve veri kablolarını yeniden yerleştirin ve bilgisayarı yeniden başlatın.
	Bir USB hatası oluşmuş olabilir.	Tüm USB aygıtlarını yeniden takın, kablo bağlantılarını kontrol edin ve ardından bilgisayarı yeniden başlatın.

Işık Deseni	Problem Tanımı	Önerilen Çözüm
	Bellek modülü algılanamadı.	<ul style="list-style-type: none"> • Yalnızca bir bellek modülü takılıysa, bunu çıkarıp takın ve bilgisayarı yeniden başlatın. Bellek modüllerini yeniden takma hakkında bilgi için, çevrimiçi <i>Kullanım Kılavuzu</i>'nuza bakın. • İki ya da daha fazla bellek modülü takılıysa, modülleri çıkarın, tek bir modülü takın ve bilgisayarı yeniden başlatın. Bilgisayar normal şekilde başlarsa, diğer bir modülü takın. Arızalı bir modül bulana kadar veya tüm modülleri hatasız şekilde takana kadar devam edin. • Mümkünse, bilgisayarınıza aynı türde, düzgün çalışan bir bellek takın. • Sorun devam ederse, Dell'e başvurun. Dell'e başvurma hakkında bilgi için, çevrimiçi <i>Kullanım Kılavuzu</i>'nuza bakın.
	Bellek modülleri saptandı, ancak bir bellek yapılandırma veya uyum hatası var.	<ul style="list-style-type: none"> • Özel bellek modülü/bellek konektörü yerleştirme gereksinimi bulunmadığından emin olun. • Taktığımız bellek modüllerinin bilgisayarınızla uyumlu olduğunu doğrulayın. • Sorun devam ederse, Dell'e başvurun. Dell'e başvurma hakkında bilgi için, çevrimiçi <i>Kullanım Kılavuzu</i>'nuza bakın.
	Bir hata oluştu.	<ul style="list-style-type: none"> • Sabit diskten, CD sürücüsünden ve DVD sürücüsünden gelen tüm kabloların sistem kartına düzgün bağlandığından emin olun. • Monitörünüzün ekranında görünen bilgisayar iletisini kontrol edin. • Sorun devam ederse, Dell'e başvurun. Dell'e başvurma hakkında bilgi için, çevrimiçi <i>Kullanım Kılavuzu</i>'nuza bakın.

Bip Kodları

Monitör hataları veya sorunları görüntüleyemezse, bilgisayarınız başlangıçta bir dizi sesli uyarı verebilir. Sesli uyarı kodu adı verilen sesli uyarı dizileri bir sorunu belirtir. Olası sesli uyarı kodlarından biri (kod 1 3-1), tek bir sesli uyarı, arka arkaya üç sesli uyarı ve ardından tek bir sesli uyarı şeklinde bir diziden oluşur. Bu sesli uyarı kodu, bilgisayarın bir bellek sorunuyla karşılaştığını anlatır.

Bilgisayarınız başlatma sırasında uyarı sesi çıkartırsa:

- 1 Sesli uyarı kodunu not edin.
- 2 Daha ciddi bir sebebi bulmak için, bkz. "Dell Diagnostics" sayfa 346
- 3 Teknik destek için Dell'le temasa geçin. Dell'e başvurma hakkında bilgi için, çevrimiçi *Kullanım Kılavuzu*'nuza bakın.

Kod	Sebebe	Kod	Sebebe
1-1-2	Mikroişlemci kayıt hatası	3-1-4	Bağımlı kesinti maskesi kayıt hatası
1-1-3	NVRAM okuma/yazma hatası	3-2-2	Kesinti vektör yükleme hatası
1-1-4	ROM BIOS sağlama hatası	3-2-4	Klavye Denetleyicisi sınıma hatası
1-1-2	Programlanabilir aralık süreölçeri hatası	3-3-1	NVRAM güç kaybı
1-2-2	DMA başlatma hatası	3-3-2	Geçersiz NVRAM yapılandırması
1-3-2	DMA sayfa kaydı okuma/yazma hatası	3-3-4	Görüntü Belleği sınıma hatası
1-3	Görüntü Belleği sınıma hatası	3-1-4	Ekran başlatma hatası
1-3-1 den 2-4-4 e kadar	Bellek düzgün tanımlanmıyor veya kullanılmıyor	3-4-2	Ekran kaynağını bulma hatası
3-1-1	Bağımlı DMA kayıt hatası	3-4-3	Video ROM arama hatası
3-1-2	Ana DMA kayıt hatası	4-2-1	Süreölçer sesi yok
3-1-3	Ana kesinti maskesi kayıt hatası	4-2-2	Kapatma hatası
4-2-3	Kapı A20 hatası	4-4-1	Seri veya paralel bağlantı noktası testi hatası
4-2-4	Korumalı kipte beklenmedik kesinti	4-4-2	Gölgeli belleğe kod açma hatası.
4-3-1	Adres 0FFFFh üzerinde bellek hatası	4-4-3	Matematik yardımcı işlemcisi test hatası
4-3-3	Saat çipi sayacı 2 başarısız	4-4-4	Önbellek testi hatası
4-3-4	Gün saati durdu		

Yazılım ve Donanım Uyuşmazlıklarını Çözümleme

İşletim sistemi kurulumu sırasında bir aygıt algılanamazsa veya algılandığı halde, yanlış yapılandırılırsa, uyumsuzluğu çözmek için Donanım Sorun Gidericisi'ni kullanabilirsiniz.

- 1 **Başlat** düğmesini ve **Yardım ve Destek**'i tıklatın.
- 2 **Ara** alanına hardware troubleshooter (donanım sorun gidericisi) yazın ve ardından aramayı başlatmak için oku tıklatın.

- 3 **Arama Sonuçları** listesinde **Donanım Sorun Gidericisi**'ni tıklatın.
- 4 **Donanım Sorun Gidericisi** listesinde, **Bilgisayarında bir donanım çakışmasını çözmek gerekiyor**'u ve ardından **Devam**'ı tıklatın.

Microsoft Windows XP Sistem Geri Yükleme Özelliğini Kullanma

Microsoft Windows XP işletim sistemi, donanımda, yazılımda veya sistem ayarlarında yapılan değişiklikler bilgisayarı istenmeyen bir sistem durumuna getirmişse, bilgisayarınızı önceki bir sistem durumuna geri yüklemenizi (veri dosyalarını etkilemeden) sağlayan Sistem Geri Yükleme özelliği sağlar. Sistem Geri Yükleme'yi kullanma hakkında daha fazla bilgi için, Windows Yardım ve Destek Merkezi'ne bakın. Windows Yardım ve Destek Merkezi'ne erişmek için, bkz. "Windows Yardım ve Destek Merkezi" sayfa 308.



DİKKAT: Veri dosyalarınız düzenli olarak yedekleyin. Sistem Geri Yükleme, veri dosyalarınızı izlemez veya kurtarmaz.

Geri Yükleme Noktası Oluşturma

- 1 **Başlat** düğmesini ve **Yardım ve Destek**'i tıklatın.
- 2 **Sistem Geri Yükleme**'yi tıklatın.
- 3 Ekrandaki yönergeleri izleyin.

Bilgisayarı Daha Önceki Bir Sistem Durumuna Geri Yükleme



DİKKAT: Bilgisayarı daha önceki bir sistem durumuna geri yüklemeye başlamadan önce, açık dosyaları kaydedip kapatın ve açık programlardan çıkın. Sistem geri yükleme bitene kadar hiçbir dosyayı veya programı değiştirmeyin, açmayın veya silmeyin.

- 1 **Başlat** düğmesini tıklatın, **Tüm Programlar**→ **Donatılar**→ **Sistem Araçları**'nın üzerine gelin ve ardından **Sistem Geri Yükleme**'yi tıklatın.
- 2 **Bilgisayarımı daha önceki bir tarihe geri yükle**'nin seçildiğinden emin olun ve **Devam**'ı tıklatın.
- 3 Bilgisayarınızı geri yüklemek istediğiniz bir takvim tarihini tıklatın.

Geri Yükleme Noktası Seç ekranı, geri yükleme noktalarını görmeyi ve seçmeyi sağlayan bir takvim içerir. Kullanılabilir geri yükleme noktalarına sahip tüm takvim günleri kalın yazı biçimiyle görüntülenir.

- 4 Bir geri yükleme noktası seçin ve **Devam**'ı tıklatın.

Bir takvim tarihinde yalnızca bir geri yükleme noktası varsa, o geri yükleme noktası otomatik olarak seçilir. İki veya daha fazla geri yükleme noktası varsa, tercih ettiğiniz geri yükleme noktasını tıklatın.

- 5 **Devam**'ı tıklatın.

Sistem Geri Yükleme, veri toplamayı bitirdiğinde **Geri Yükleme Tamamlandı** ekranı görüntülenir ve bilgisayar yeniden başlar.

- 6 Bilgisayar yeniden başladıktan sonra, **Tamam**'ı tıklatın.

Geri yükleme noktasını değiştirmek için, farklı bir geri yükleme noktası kullanarak yukarıdaki adımları tekrarlayabilirsiniz veya geri yüklemeyi geri alabilirsiniz.

Son Sistem Geri Yüklemeyi Geri Alma



DİKKAT: Son sistem geri yüklemesini geri almadan önce, açık dosyaları kaydedip kapatın ve açık programlardan çıkın. Sistem geri yükleme bitene kadar hiçbir dosyayı veya programı değiştirmeyin, açmayın veya silmeyin.

- 1 **Başlat** düğmesini tıklatın, **Tüm Programlar**→ **Donatılar**→ **Sistem Araçları**'nın üzerine gelin ve ardından **Sistem Geri Yükleme**'yi tıklatın.
- 2 **Son geri yüklememi geri al** 'ı ve **Devam**'ı tıklatın.
- 3 **Devam**'ı tıklatın.
Sistem Geri Yükleme ekranı görüntülenir ve bilgisayar yeniden başlar.
- 4 Bilgisayar yeniden başladıktan sonra, **Tamam**'ı tıklatın.

Sistem Geri Yükleme'yi Etkinleştirme

Windows XP'yi 200 MB'den daha az kullanılabilir boş sabit disk alanıyla yeniden yüklerseniz, Sistem Geri Yükleme otomatik olarak devre dışı kalır. Sistem Geri Yükleme'nin etkin olduğunu doğrulamak için:

- 1 **Başlat** düğmesini ve **Denetim Masası**'nı tıklatın.
- 2 **Performans ve Bakım**'ı tıklatın.
- 3 **Sistem**'i tıklatın.
- 4 **Sistem Geri Yükleme** sekmesini tıklatın.
- 5 **Sistem Geri Yükleme'yi Kapat** kutusunda işaret bulunmadığından emin olun.

Microsoft Windows XP'yi Yeniden Yükleme

Başlarken




NOT: Bu belgedeki yordamlar Windows XP Home Edition'daki varsayılan Windows görünümü için yazılmıştır; Dell bilgisayarınızı Windows Klasik görünümüne ayarlarsanız veya Windows XP Professional kullanıyorsanız adımlar değişebilir.



Yeni yüklenen bir sürücüdeki sorunu düzeltmek için Windows XP işletim sistemini yeniden yüklemeyi düşünüyorsanız, önce Windows XP Aygıt Sürücüsünü Geri Alma'yı kullanmayı deneyin.

- 1 **Başlat** düğmesini ve **Denetim Masası**'nı tıklatın.
- 2 **Kategori Seç** altında **Performans ve Bakım**.
- 3 **Sistem**'i tıklatın.
- 4 **Sistem Özellikleri** penceresinde, **Donanım** sekmesini tıklatın.
- 5 **Aygıt Yöneticisi**'ni tıklatın.
- 6 Yeni sürücünün yüklendiği aygıtı tıklatın ve **Özellikler**'i tıklatın.
- 7 **Sürücüler** sekmesini tıklatın.
- 8 **Sürücüyü Geri Al**'ı tıklatın.

Sürücüye Geri Dön komutu sorunu çözmezse, işletim sisteminizi yeni aygıt sürücüsünü yüklemeyen önceki durumuna geri döndürmek için Sistem Geri Yükleme özelliğini kullanın (bkz. "Microsoft Windows XP Sistem Geri Yükleme Özelliğini Kullanma" sayfa 354).

 **NOT:** *Drivers and Utilities* CD'sinden bilgisayarın montajı sırasında yüklenen sürücülerini içerir. *Drivers and Utilities* CD'sinden bilgisayarınızın RAID denetleyicisi varsa gereken sürücüler dahil, gerekli sürücülerini yüklemek için kullanın.

Windows XP'yi Yeniden Yükleme



-  **DİKKAT:** Windows XP'yi yeniden yüklemek için, Windows XP Service Pack 1 veya daha üstünü kullanmanız gerekir.
-  **DİKKAT:** Kurulumu yapmadan önce, birincil sabit sürücünüzdeki tüm veri dosyalarını yedekleyin. Geleneksel sabit sürücü yapılandırmaları için, birincil sabit sürücü, bilgisayarın ilk algıladığı sürücüdür.

Windows XP'yi yeniden yüklemek için aşağıdakiler gereklidir:

- Dell *Operating System* CD'si
- Dell *Drivers and Utilities* CD'sinden

Windows XP'yi yeniden yüklemek için, aşağıdaki bölümlerde anlatılan adımları, listelendikleri sırayla uygulayın.




Yeniden yükleme işleminin tamamlanması 1 ila 2 saat sürebilir. İşletim sisteminizi yeniden yükledikten sonra, aygıt sürücülerini, virüsten koruma programını ve diğer yazılımları da yeniden yüklemeniz gerekir.

-  **DİKKAT:** *Operating System* CD'si, Windows XP'yi yeniden yükleme seçenekleri sunar. Bu seçenekler, dosyaların üzerine yazabilir ve sabit sürücünüzde yüklü programları etkileyebilir. Bu yüzden, bir Dell teknik destek temsilcisi bunu yapmanızı söylemedikçe Windows XP'yi yeniden yüklemeyin.
-  **DİKKAT:** Windows XP ile çakışmaları önlemek için, Windows XP'yi yeniden yüklemeyen önce, bilgisayarınıza yüklü virüsten koruma yazılımlarını devre dışı bırakın. Yönergeler için, yazılımınızla birlikte verilmiş belgelere bakın.

Operating System CD'sinden Önyükleme

- 1 Açık dosyaları kaydedip kapatın ve açık programlardan çıkın.
- 2 *Operating System* CD'sini takın. Install Windows XP (Windows XP'yi Yükle) iletisi görünürse **Çıkış'**ı tıklattın.
- 3 Bilgisayarı yeniden başlatın.
- 4 DELL logosu görüntülenir görüntülenmez <F12> tuşuna basın.
İşletim sistemi logosu görünürse, Windows masaüstünü görene kadar bekleyin ve ardından bilgisayarınızı kapatıp yeniden deneyin.
- 5 **CD-ROM'**u seçmek için ok tuşlarına ve <Enter>'a basın.
- 6 Press any key to boot from the CD (CD'den başlatmak için bir tuşa basın) iletisi görüntülenirse, herhangi bir tuşa basın.

Windows XP Kurulumu

- 1 **Windows XP Kurulumu** ekranı görüntülendiğinde, **Windows'u şimdi kur**'u seçmek için <Enter>'a basın.
 - 2 **Microsoft Windows Lisans Sözleşmesi** ekranındaki bilgileri okuyun ve lisans sözleşmesini kabul etmek için <F8>'e basın.
 - 3 Bilgisayarınızda Windows XP zaten kuruluysa ve geçerli Windows XP verilerinizi kurtarmak istiyorsanız, onarma seçeneğini belirlemek için **r** yazın ve CD'yi çıkarın.
 - 4 Yeni bir Windows XP kopyası yüklemek istiyorsanız, bu seçenek için <Esc> tuşuna basın.
 - 5 Vurgulanan bölümü seçmek için <Enter> tuşuna basın (önerilen) ve ekrandaki yönergeleri uygulayın.
Windows XP Kurulumu ekranı görüntülenir ve işletim sistemi dosyaları kopyalamaya ve aygıtları yüklemeye başlar. Bilgisayar birkaç kez otomatik olarak yeniden başlar.
-  **NOT:** Kurulumu tamamlamak için gereken zaman, sabit sürücünün büyüklüğüne ve bilgisayarınızın hızına bağlıdır.
-  **DİKKAT:** Aşağıdaki ileti görüntülendiğinde hiçbir tuşa basmayın: Press any key to boot from the CD (CD'den başlatmak için bir tuşa basın).
- 6 **Bölge ve Dil Seçenekleri** ekranı görüntülendiğinde, bölgenizin ayarlarını seçin ve **İleri**'yi tıklayın.
 - 7 **Yazılımınızı Kişiselleştirin** ekranı görüntülendiğinde adınızı ve kuruluşunuzun adını (isteğe bağlı) girin ve **İleri**'yi tıklayın.
 - 8 **Bilgisayar Adı ve Yönetici Parolası** penceresinde, bilgisayarınız için bir ad girin (veya sağlanan adı kabul edin), parolayı girin ve **İleri**'yi tıklayın.
 - 9 **Modem Çevirme Bilgisi** ekranı görüntülenirse, istenen bilgileri girin ve **İleri**'yi tıklayın.
 - 10 **Tarih ve Saat Ayarları** penceresinde tarihi, saati ve saat dilimini girin ve **İleri**'yi tıklayın.
 - 11 **Ağ Ayarları** ekranı görüntülenirse, **Normal**'i ve **İleri**'yi tıklayın.
 - 12 Windows XP Professional'ı yeniden yükliyorsanız ve ağ ayarlarınız hakkında ek bilgiler sağlamanız istenirse, seçimlerinizi girin. Ayarlarınızdan emin değilseniz, varsayılan seçimleri kabul edin.
Windows XP, işletim sistemi bileşenlerini yükler ve bilgisayarı yapılandırır. Bilgisayar otomatik olarak yeniden başlar.
-  **DİKKAT:** Aşağıdaki ileti görüntülendiğinde hiçbir tuşa basmayın: Press any key to boot from the CD (CD'den başlatmak için bir tuşa basın).
- 13 **Microsoft'a Hoş Geldiniz** ekranı görüntülendiğinde **İleri**'yi tıklayın.
 - 14 How will this computer connect to the Internet? (Bu bilgisayar İnternet'e nasıl bağlansın?) iletisi görüntülendiğinde **Atla**'yı tıklayın.
 - 15 **Microsoft'a kayıt yaptırmak istiyor musunuz?** ekranı görüntülendiğinde **Hayır, şu anda değil**'i seçin ve **İleri**'yi tıklayın.
 - 16 **Bu bilgisayarı kimler kullanacak?** ekranı görüntülendiğinde en çok beş kullanıcı girebilirsiniz.
 - 17 **Devam**'ı tıklayın.
 - 18 Kurulumu tamamlamak için **Son** 'u tıklayın ve CD'yi çıkarın.
 - 19 İlgili sürücüler *Drivers and Utilities* CD'sinden.
 - 20 Virüsten koruma yazılımınızı yeniden yükleyin.

21 Programlarınızı yeniden yükleyin.



NOT: Microsoft Office veya Microsoft Works Suite programlarını yeniden yüklemek veya etkinleştirmek için, Microsoft Office veya Microsoft Works Suite CD'sinin arkasında bulunan Ürün Anahtarı numarası gereklidir.

Drivers and Utilities CD'sini Kullanma

Windows işletim sistemini çalıştırırken *Drivers and Utilities* CD'sini kullanmak (*KaynakCD*).



NOT: Aygıt sürücülerine ve kullanıcı belgelerine erişmek için, *Drivers and Utilities* CD'sini Windows çalıştırırken kullanmanız gerekir.

- 1 Bilgisayarı açın ve Windows masaüstünün yüklenmesini bekleyin.
- 2 *Drivers and Utilities* CD'sini CD sürücüye takın.

Drivers and Utilities CD'sini bu bilgisayarda ilk kez kullanıyorsanız, **ResourceCD Installation** (Kaynak CD Kurulumu) penceresi açılır ve *Drivers and Utilities* CD'sinin yüklemeye başlayacağını bildirir.

- 3 Devam etmek için **Tamam**'ı tıklatın.
Yüklemeyi tamamlamak için yükleme programının istediklerini yanıtlayın.
- 4 **Welcome Dell System Owner** (Hoş Geldiniz Dell Sistemi Sahibi) ekranında **İleri** 'yi tıklatın.

Uygun **Sistem Modeli**, **İşletim Sistemi**, **Aygıt Türü**, ve **Konu**'yu seçin.

Bilgisayarınızın Sürücüleri

Bilgisayarınız için bir aygıt sürücülerini listesi görüntülemek için:

- 1 **Topic** (Konu) açılan menüsünde **My Drivers**'ı (Sürücülerim) tıklatın.

Drivers and Utilities CD'si (isteğe bağlı) bilgisayarınızın donanımını ve işletim sistemini tarar ve sistem yapılandırmanız için aygıt sürücülerinin bir listesi görüntülenir.

- 2 Uygun sürücüyü tıklatın ve sürücüyü bilgisayarınıza yükleme yönergelerini uygulayın.

Bilgisayarınız için kullanılabilen tüm sürücülerini görmek için, **Topic** açılan menüsünde **Drivers**'ı tıklatın.

Dizin

a

ana kart. *Bkz.* sistem kartı

b

belgeleme

- çevrimiçi, 309
- düzenleyici, 308
- ergonomik, 308
- garanti, 308
- güvenlik, 308
- Kullanım Kılavuzu, 307
- Son Kullanıcı Lisans Anlaşması, 308
- Ürün Bilgileri Kılavuzu, 308

c

CDler

- işletim sistemi, 308

ç

çakışmalar

- yazılım ve donanım uyumsuzlukları, 353

d

- Dell destek sitesi, 309
- Dell Diagnostics, 346

destek websitesi, 309

donanım

- çakışmalar, 353
- Dell Diagnostics, 346
- sesli uyarı kodları, 352

Donanım Sorun Giderici, 353

Drivers and Utilities

CD'si, 307

düzenleyici bilgiler, 308

e

ergonomi bilgileri, 308

etiketler

- Microsoft Windows, 309
- Servis Etiketi, 309

g

garanti bilgileri, 308

güç

- ışık, 315, 319

güç ışığı

- sorunları tanılama, 349

güvenlik talimatları, 308

h

hata iletileri

- sesli uyarı kodları, 352

sistem ışıkları, 349

tanılama ışıkları, 350

i

IRQ çakışmaları, 353

ışıklar

- güç, 315, 319
- sistem, 349
- tanılama, 350

i

işletim sistemi

- Windows XP'yi yeniden yükleme, 355
- yeniden kurma, 308

İşletim Sistemi CD'si, 308

k

kapak

- çıkarma, 325

Kullanım Kılavuzu, 307

p

parçaları takma

- başlamadan önce, 325

S

- Servis Etiketi, 309
- sesli uyarı kodları, 352
- Sistem Geri Yükleme, 354
- sistem kartı, 333, 336, 342
- Son Kullanıcı Lisans Anlaşması, 308
- sorun giderme
 - bilgisayarı önceki çalışma durumuna geri yükleme, 354
 - çakışmalar, 353
 - Dell Diagnostics, 346
 - Donanım Sorun Giderici, 353
 - sesli uyarı kodları, 352
 - sistem ışıkları, 349
 - tanılama ışıkları, 350
 - Yardım ve Destek Merkezi, 308
- sorunlar. Bkz. *sorun giderme*
- sürücüler
 - liste, 358

t

- tanılama
 - Dell Diagnostics, 346
 - sesli uyarı kodları, 352

ü

- Ürün Bilgileri Kılavuzu, 308

W

- Windows XP
 - Donanım Sorun Giderici, 353
 - Donanım Sorun Gidericisi, 353
 - kurulum, 357
 - Sistem Geri Yükleme, 354
 - Yardım ve Destek Merkezi, 308
 - yeniden kurma, 308
 - yeniden yükleme, 355

y

- yardım dosyası
 - Windows Yardım ve Destek Merkezi, 308
- Yardım ve Destek Merkezi, 308
- yazılım
 - çakışmalar, 353
- yeniden yükleme
 - Windows XP, 355